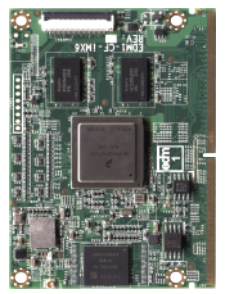


EDM1-CF-iMX6



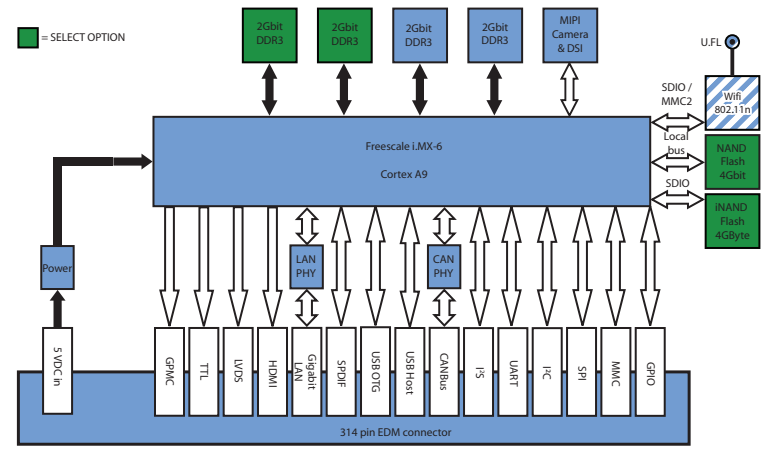
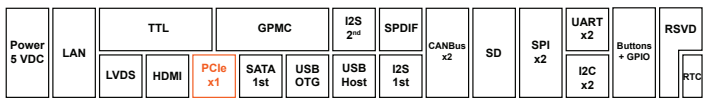
EDM Type 1 Compact Form Factor Freescale i.MX6 System on Module



ARM Cortex-A9 Freescale i.MX6 scalable single/dual/quad core EDM type 1 compact System-on-Module

Communication by gigabit LAN, WiFi 802.11 a/b/g/n and Bluetooth v.4.0

Targeting multimedia applications with LVDS, TTL, HDMI, S/PDIF, I²S, MIPI camera and display.



Core System

Signalling CPU
EDM Type 1 compliant
Freescale i.MX6Quad @1.0GHz
Freescale i.MX6Dual @1.0 GHz
Freescale i.MX6DualLite @1.0 GHz
Freescale i.MX6Solo @1.0 GHz

System Memory Storage
up to 2GB DDR3
eMMC / iNAND
or optional NAND Flash

Debug Interface
FPC Connector
JTAG Interface
MIPI interface camera
MIPI interface DSI display

Connectivity

Network
Wireless LAN
Atheros AR8031 Gigabit LAN
Broadcom BCM4330
802.11 a/b/g/n @ 2.4 / 5Ghz
Bluetooth v. 4.0

Audio

Interface
Audio Codec
I²S (2 channel), S/PDIF
on EDM Carrier Board

Video

| | |
|---|---|
| Solo / DualLite | Dual / Quad |
| GPU 3D Vivante GC880 35Mtri/s 266Mpxl/s Open GL ES 2.0 | Vivante GC2000 200Mtri/s 1000Mpxl/s, OpenGL ES 2.0 & Haili, CL EP Vivante GC355 300Mpxl/s, OpenVG 1.1 Vivante GC320 600Mpxl/s, BLIT 1080p30 + D1 1080p30 H.264 1080p30 H.264 BP/ Dual 720p |
| GPU 2D (Vector Graphics) emulated on GPU 3D | |
| GPU 2D (Composition) Video Decode Video Encode | |

I/O

Storage
1x SATA 2.0 (Dual / Quad only)
1x SDIO / MMC
1x PCIe 2.0

Expansion
Display
HDMI v1.4
1 channel LVDS 18/24 bit
24 bit RGB TTL

USB
USB Host 2.0
USB OTG 2.0

CAN Bus
2x Flex CAN
version 2.0B compliant

Serial Port
Other
2x UART
SPI, I²C, GPIO, Local Bus

Power Specifications

Input Power 5 VDC

Operating Systems

Standard Support
Linux
Android

Extended Support
Commercial Linux
Windows Embedded Compact 7
Real Time OS



Mechanical and Environmental

Temperature
Commercial: 0° to 60° C
Extended: -20° to 70° C
* Industrial: -40° to 85° C
(* = no wifi, no eMMC)

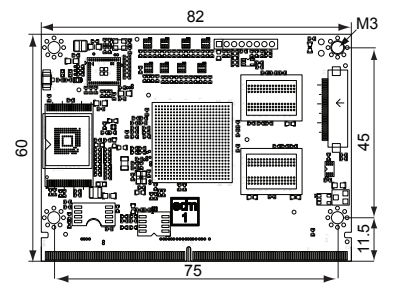
Humidity
10-90%

Module Connector
Form Factor
Dimensions
314 pins MXM3
EDM Compact Form Factor
82 x 60 mm
(3 1/8 x 2 3/8 inch)

MTBF
Weight
Shock
Vibration
>100,000 hours
20 grams
50G / 25ms
20G / 0-600 Hz

Dimensions

units in mm



Ordering Information

| | |
|---------------------------|--|
| EDM1-CF-iMX6Q10-BW | Freescale i.MX6 Quad core EDM Compact Type 1 with WiFi and Bluetooth |
| EDM1-CF-iMX6Q10 | Freescale i.MX6 Quad core EDM Compact Type 1 |
| EDM1-CF-iMX6D10-BW | Freescale i.MX6 Dual core EDM Compact Type 1 with WiFi and Bluetooth |
| EDM1-CF-iMX6D10 | Freescale i.MX6 Dual core EDM Compact Type 1 |
| EDM1-CF-iMX6U10-BW | Freescale i.MX6 DualLite core EDM Compact Type 1 with WiFi and Bluetooth |
| EDM1-CF-iMX6U10 | Freescale i.MX6 DualLite core EDM Compact Type 1 |
| EDM1-CF-iMX6S10-BW | Freescale i.MX6 Single core EDM Compact Type 1 with WiFi and Bluetooth |
| EDM1-CF-iMX6S10 | Freescale i.MX6 Single core EDM Compact Type 1 |

Optional Accessories

| | |
|-----------------------|---|
| EDM-C-Bracket | EDM compact Carrier Board mount bracket |
| HSP-EDM-C-10W | EDM passive heatsink |
| HS-EDM-CF-iMX6 | EDM-CF-i.MX6 compatible heatspreader |

Feel free to contact us for custom tailored Carrier Board request for your projects.

Distributed by:

www.texim-europe.com



Start Kits

EDM1-CF-iMX6S10-START
EDM1-CF-iMX6U10-START
EDM1-CF-iMX6D10-START

EDM Compact Type 1 Freescale i.MX6 Solo 1Ghz + 512MB RAM + 4GB iNAND + Gigabit LAN + 2 CAN (**EDM1-CF-iMX6S10-R512-Ni4G-L-2C**)
EDM Compact Type 1 Freescale i.MX6 Duallite 1Ghz + 1GB RAM + 4GB iNAND + Gigabit LAN + 2 CAN (**EDM1-CF-iMX6U10-R1GB-Ni4G-L-2C**)
EDM Compact Type 1 Freescale i.MX6 Dual 1Ghz + 1GB RAM + 4GB iNAND + Gigabit LAN + 2 CAN + SATA & EDM Compact passive heatsink (**EDM1-CF-iMX6D10-R1GB-Ni4G-L-S-2C + EDM-HS-CP12-20-05-01**)
EDM Compact Type 1 Freescale i.MX6 Quad 1Ghz + 2GB RAM + 4GB iNAND + Gigabit LAN + 2 CAN + SATA & EDM Compact passive heatsink (**EDM1-CF-iMX6Q10-R2GB-Ni4G-L-S-2C + EDM-HS-CP12-20-05-01**)

EDM1-CF-iMX6Q10-START

EDM Compact Type 1 Freescale i.MX6 Solo 1Ghz + 512MB RAM + 4GB iNAND + Gigabit LAN + 2 CAN + 802.11abgn + Bluetooth 4.0 & EDM antenna kit (**EDM1-CF-iMX6S10-R512-Ni4G-BW-L-2C + EDM-ANT-P150-A138-045D-2450-BK**)
EDM Compact Type 1 Freescale i.MX6 Duallite 1Ghz + 1GB RAM + 4GB iNAND + Gigabit LAN + 2 CAN + 802.11abgn + Bluetooth 4.0 & EDM antenna kit (**EDM1-CF-iMX6U10-R1GB-Ni4G-BW-L-2C + EDM-ANT-P150-A138-045D-2450-BK**)

EDM1-CF-iMX6S10-BW-START

EDM1-CF-iMX6U10-BW-START

EDM Compact Type 1 Freescale i.MX6 Dual 1Ghz + 1GB RAM + 4GB iNAND + Gigabit LAN + 2 CAN + SATA + 802.11abgn + Bluetooth 4.0 & EDM antenna kit & EDM Compact passive heatsink (**EDM1-CF-iMX6D10-R1GB-Ni4G-BW-L-S-2C + EDM-ANT-P150-A138-045D-2450-BK + EDM-HS-CP12-20-05-01**)
EDM Compact Type 1 Freescale i.MX6 Quad 1Ghz + 2GB RAM + 4GB iNAND + Gigabit LAN + 2 CAN + SATA + 802.11abgn + Bluetooth 4.0 & EDM antenna kit & EDM Compact passive heatsink (**EDM1-CF-iMX6Q10-R2GB-Ni4G-BW-L-S-2C + EDM-ANT-P150-A138-045D-2450-BK + EDM-HS-CP12-20-05-01**)

EDM1-CF-iMX6D10-BW-START

EDM1-CF-iMX6Q10-BW-START

Standard Partnumbers

EDM1-CF-iMX6S10-R512-Ni4G-L-2C
EDM1-CF-iMX6U10-R1GB-Ni4G-L-2C
EDM1-CF-iMX6D10-R1GB-Ni4G-L-S-2C
EDM1-CF-iMX6Q10-R2GB-Ni4G-L-S-2C

EDM Compact Type 1 Freescale i.MX6 Solo 1Ghz + 512MB RAM + 4GB iNAND + Gigabit LAN + 2 CAN
EDM Compact Type 1 Freescale i.MX6 Duallite 1Ghz + 1GB RAM + 4GB iNAND + Gigabit LAN + 2 CAN
EDM Compact Type 1 Freescale i.MX6 Dual 1Ghz + 1GB RAM + 4GB iNAND + Gigabit LAN + 2 CAN + SATA
EDM Compact Type 1 Freescale i.MX6 Quad 1Ghz + 2GB RAM + 4GB iNAND + Gigabit LAN + 2 CAN + SATA

EDM1-CF-iMX6S10-R512-Ni4G-BW-L-2C
EDM1-CF-iMX6U10-R1GB-Ni4G-BW-L-2C
EDM1-CF-iMX6D10-R1GB-Ni4G-BW-L-S-2C
EDM1-CF-iMX6Q10-R2GB-Ni4G-BW-L-S-2C

EDM Compact Type 1 Freescale i.MX6 Solo 1Ghz + 512MB RAM + 4GB iNAND + Gigabit LAN + 2 CAN + 802.11abgn + Bluetooth 4.0
EDM Compact Type 1 Freescale i.MX6 Duallite 1Ghz + 1GB RAM + 4GB iNAND + Gigabit LAN + 2 CAN + 802.11abgn + Bluetooth 4.0
EDM Compact Type 1 Freescale i.MX6 Dual 1Ghz + 1GB RAM + 4GB iNAND + Gigabit LAN + 2 CAN + SATA + 802.11abgn + Bluetooth 4.0
EDM Compact Type 1 Freescale i.MX6 Quad 1Ghz + 2GB RAM + 4GB iNAND + Gigabit LAN + 2 CAN + SATA + 802.11abgn + Bluetooth 4.0

Optional Accessories

EDM-ANT-P150-A138-045D-2450-BK
EDM-HS-CP12-20-05-01
EDMCONNECTORKIT

EDM antenna kit containing U.FL to SMA patch cable + 4.5 dB, 2.4/5 GHz, black color antenna.
EDM Compact 12 mm passive heatsink + 20*20 mm thermopad with 0.5 mm thickness for Lidded Freescale CPUs + mylar.
10 EDM AS0B821-S78B-7H connectors + 40 standoff's + 40 screws.

How to create a Custom Partnumber (MOQ's apply)

EDM-CF1-IMX6Q10-R1GB-Ni4G-BW-L-S-2C-TE-xxxx

EDM
EDM Type
Formfactor of Module
Chipvendor
CPU type
CPU cores
CPU speed
Memory
Storage
Wireless LAN
Network LAN
SATA
CANbus
Temperature
Customer ID code

Embedded Design Module
Pin definition of EDM Type 1 or Type 2
C = Compact; S = Standard; X = Extended
F = Freescale
for example : i.MX6
S = Single core; U = DualLite; D = Dualcore; Q = Quadcore
10 = 1GHz; 08 = 800MHz
R512 = 512MB; R1GB = 1GB; R2GB = 2GB
Ni4G = iNAND 4GB; N512 = 512 NAND Flash (iNAND is only possible in Commercial and Extended temperature. For Industrial Temperature only NAND Flash is possible.
None = no wireless communication; W = WiFi; BW = Bluetooth + WiFi (only available in commercial and extended temperature)
None = no Ethernet; L = 1000Gbps Ethernet LAN
None = no SATA; S = SATA (only on i.MX6 Dual or i.MX6 Quad
None = no CANbus; 1C = 1 CANbus; 2C = 2 CANbus
None = Commercial Temp (0~60C); TE = Extended Temp (-20~70C); TI = Industrial Temp (-40~85C); TEC = Extended Temperature Certified; TIC = Industrial Temperature Certified
xxxx = special order code for custom softwrae loading or BOM option