

4

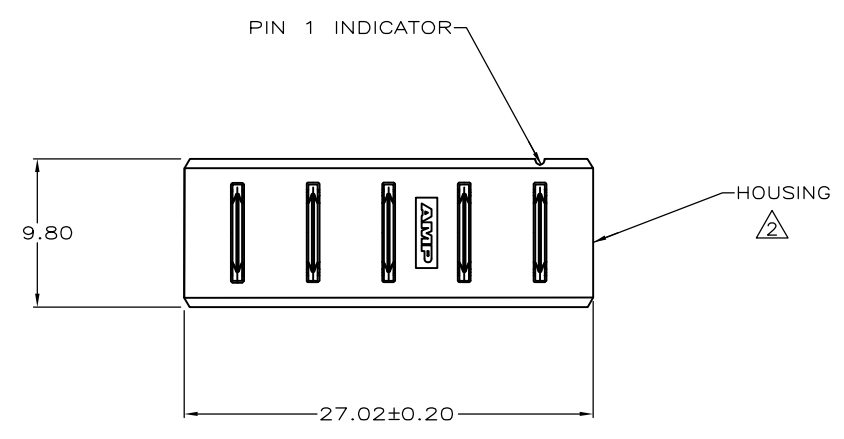
3

2

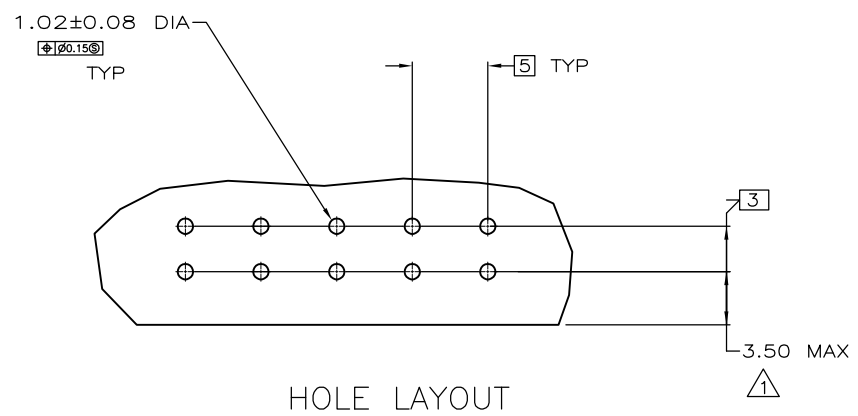
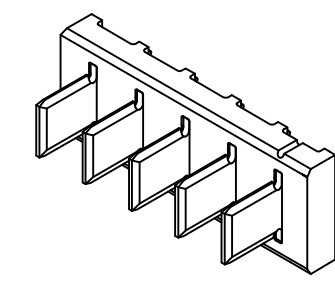
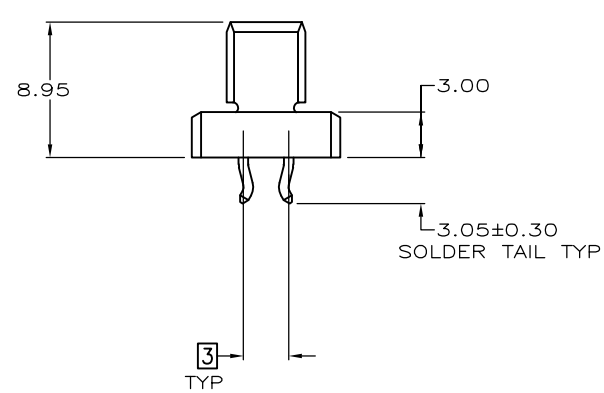
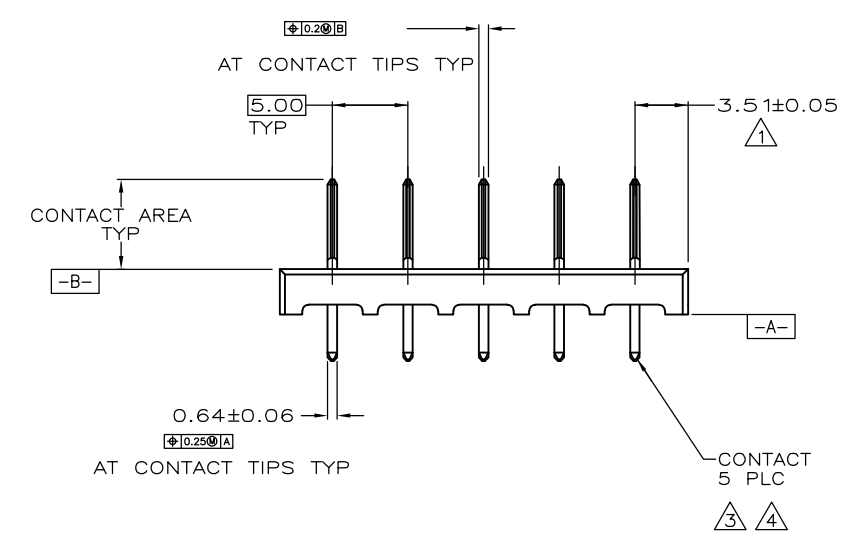
1

THIS DRAWING IS UNPUBLISHED. RELEASED FOR PUBLICATION  
 © COPYRIGHT - By - ALL RIGHTS RESERVED.

LOC	DIST	REVISIONS					
ES	00	P	LTR	DESCRIPTION	DATE	DWN	APVD
			A1	REVISED PER ECO-11-005033	28MAR11	RK	HMR



- ① COORDINATE DIMENSION APPLIES FROM CENTER OF ACTUAL FEATURE.
- ② HOUSING: POLYPHTHALAMIDE, COLOR BLACK.
- ③ 2.54um MIN TIN ON SOLDER TAIL OVER 1.90um MIN NICKEL ALL OVER.
- ④ CONTACTS: BRASS



5787446-1  
PART NO

THIS DRAWING IS A CONTROLLED DOCUMENT.		DWN S.KLINE 03-29-95	TE Connectivity			
DIMENSIONS: mm		CHK S.KLINE 03-30-95				
TOLERANCES UNLESS OTHERWISE SPECIFIED:		APVD S.KLINE 03-30-95	NAME			
0 PLC ± -		PRODUCT SPEC	108-1501			
1 PLC ± -		APPLICATION SPEC	114-24005			
2 PLC ± 0.13		WEIGHT	-			
3 PLC ± -		CUSTOMER DRAWING	SCALE 2:1			
4 PLC ± -		FINISH	③			
ANGLES ± -			SIZE A3 CAGE CODE 00779 DRAWING NO C-5787446 RESTRICTED TO -			
MATERIAL			SHEET 1 OF 1 REV A1			
② ④						