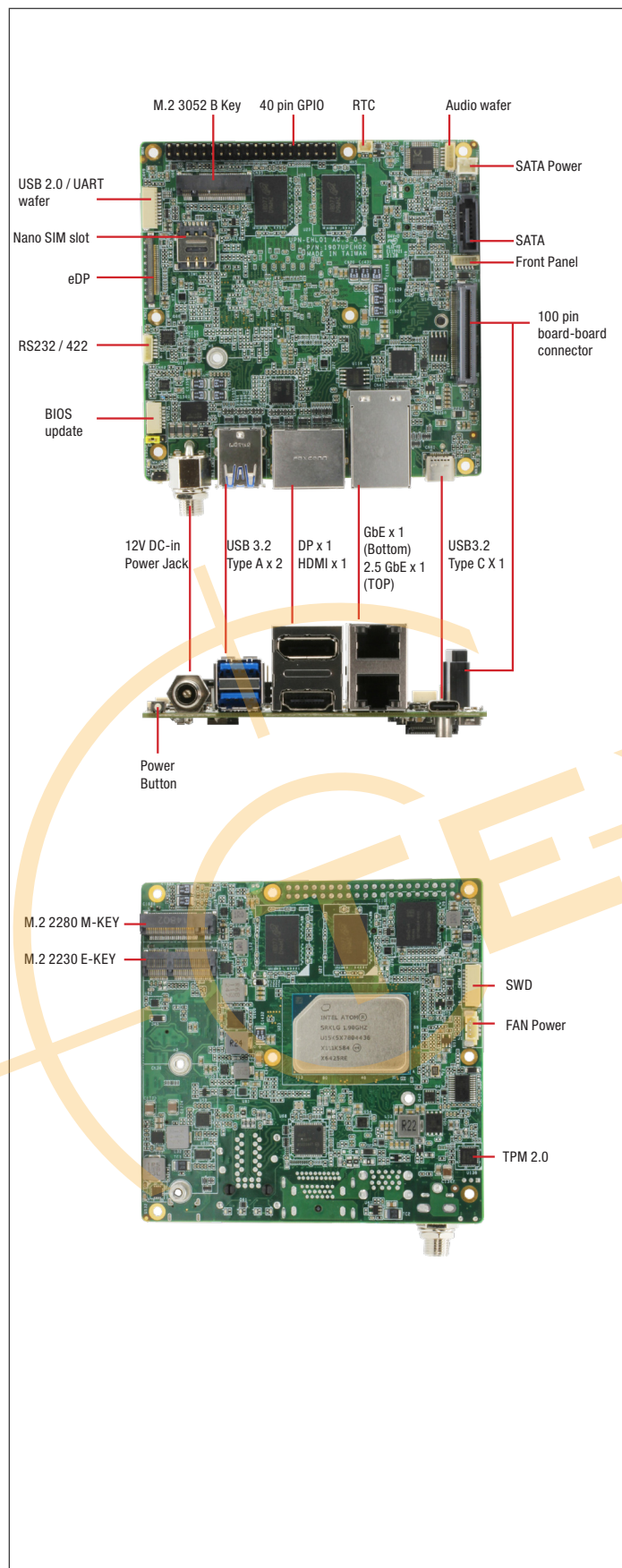


UP Squared 6000

UP Squared 6000 Developer Board with Intel® Atom® x6000E Pentium® Celeron® Processor SoC



Features

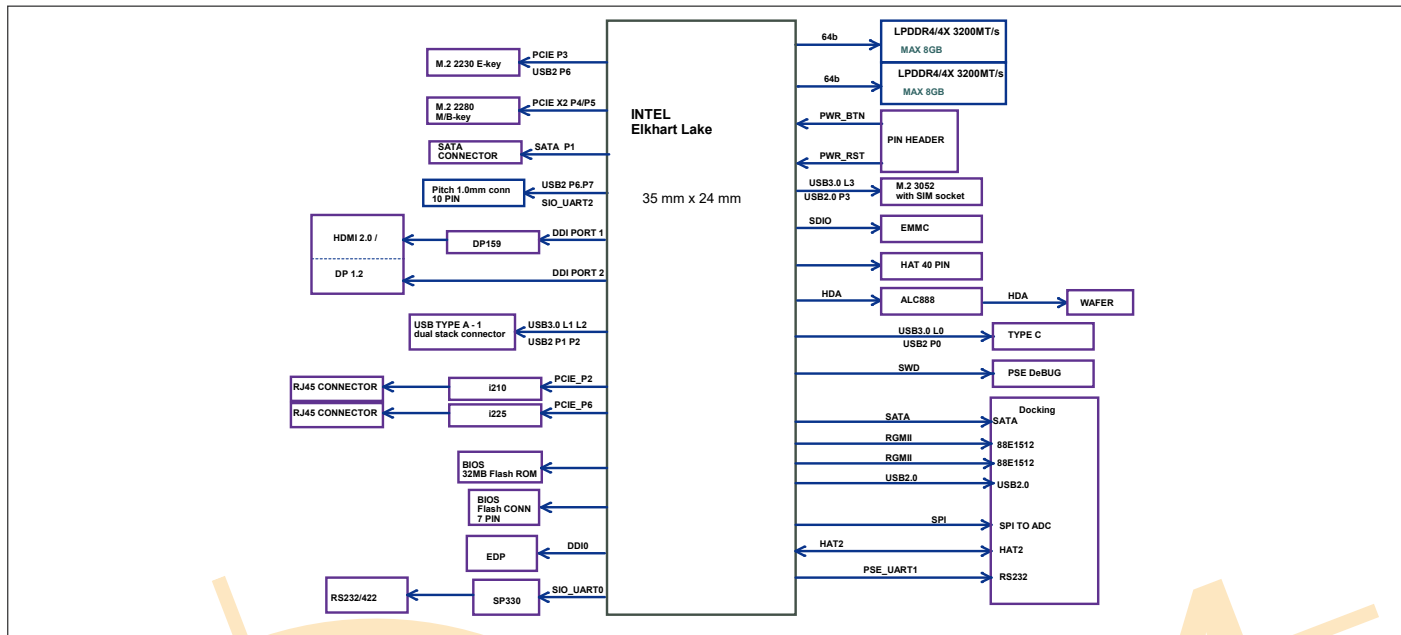
- Intel® Atom® x6000E Pentium® Celeron® Processor SoC
- Onboard LPDDR4 Memory up to 8GB
- Onboard eMMC Storage up to 64GB
- GbE x 1, 2.5GbE x 1 (Intel® i210, i225)
- USB 3.2 x 3 (Type A x 2, Type C x 1)
- 40 pin GPIO x 1
- DP 1.2 / HDMI 2.0b / eDP x 1
- RS232 / 422 wafer x 1
- M.2 2230 E-Key / M.2 2280 M-Key / M.2 3052 B-Key x 1
- SATA3 x 1
- TPM 2.0
- 12V DC-in, 6A



Specifications

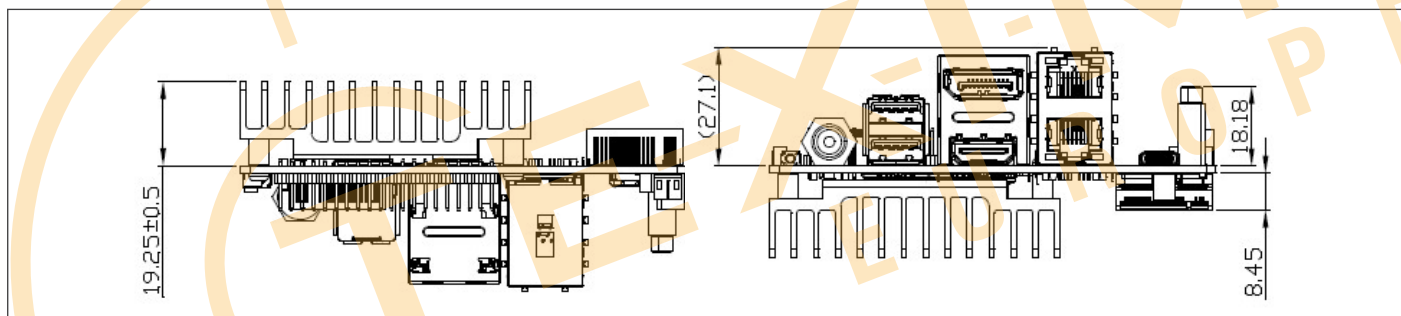
System	
Processor	Intel® Atom® X6413E / X6425RE, Celeron® N6210 (no PSE), Pentium® J6426 Processor SoC
Graphics	Intel® UHD Graphics
I/O	HDMI 2.0b x 1 DP 1.2 x 1 eDP x 1 (Limited to Atom series) Audio wafer x 1 RS-232/422 x 1 (Limited to Atom series)
Camera	—
USB	USB 2.0 x 2 (from wafer x 1) USB 3.2 Gen 2 Type A x 2 USB 3.2 Gen 2 Type C (support OTG) x 1 (Limited to Atom series)
Expansion	40 pin GPIO x 1 M.2 2230 E-key x 1 M.2 2280 PCIe Gen3.0x2 M-key x 1 SATA3 x 1 M.2 3052 B-key x 1 Nano SIM slot x 1 100 pin high speed board-board connector x 1 (Limited to Atom series) TPM 2.0 (Limited to Atom series)
RTC	Yes
Power	12V DC-in (Lockable plug)
Dimension	4" x 4" (101.6mm x 101.6mm)
Memory	Up to 8GB DDR4
Storage	UP to 64GB eMMC
Display Interface	HDMI 2.0b x 1 DP 1.2 x 1 eDP x 1 (Limited to Atom series)
Ethernet	GbE x 1, 2.5GbE x 1 Atom: Intel® i210-IT, i225-IT PC Client: Intel® i211-AT, i225-V
OS Support	Microsoft Windows 10 (full), Windows IOT Core Linux: Ubuntu 20.04 LTS, Yocto 3.1
Operating Temperature	With Heatsink: 32°F ~ 140°F (0°C ~ 60°) / 0.5 airflow
Operation Humidity	0% ~ 90% relative humidity, non-condensing
Certification	CE/FCC Class A, RoHS Compliant, REACH

Block Diagram



Dimension

Unit: mm



Ordering Information

Part number	CPU	Memory	Storage	USB 3.2 Type C	RS232 / 422 wafer	eDP	TPM 2.0	LAN	100 pin board-board connector
UPN-EHLCN2-A10-0232	PC Client: N6210 (No PSE)	2GB	32GB	No	No	No	No	i211-AT / i225-V	No
UPN-EHLPJ4-A10-0432	PC Client: J6426	4GB	32GB	No	No	No	No	i211-AT / i225-V	No
UPN-EHLX4E-A10-0432	Embedded: X6413E	4GB	32GB	Yes	Yes	Yes	Yes	i210-IT / i225-IT	Yes
UPN-EHLX4RE-A10-0864	Industrial: X6425RE	8GB	64GB	Yes	Yes	Yes	Yes	i210-IT / i225-IT	Yes

Packing List

- UP Squared 6000 with heatsink

Optional Accessories

Part Number	Description
1255X00032	12VDC/6A Adapter
1702031803	Power cord for EU
1702031802	Power cord for US
170203180J	Power cord for UK
170203180E	Power cord for Japlan
170203180B	Power cord for China
1702031811	Power cord for Taiwan
1709070500	SATA cable
1702150155	SATA power cable(15cm)
1702150306	SATA power cable(30cm)
170010015G	UART to USB cable
PER-TAIX2-A10-2280	AI Core XM M.2 2280 B+M key card 15mm heatsink with fan
9651926001	M.2 2230 WiFi Kit.802.11ac.2.4G/5G,W/BT w/2 cable & antenna
9741364A00	Wireless LAN Kit M.2 2230 802.11ac/a/b/g/n + BT4.0,2T2R,with 2 sets of cable & antenna

Disclaimer

ALL PRODUCTS, PRODUCT SPECIFICATIONS AND DATA ARE SUBJECT TO CHANGE WITHOUT NOTICE TO IMPROVE RELIABILITY, FUNCTION OR DESIGN OR OTHERWISE.

Texim Europe B.V. its affiliates, agents, and employees, and all persons acting on its or their behalf (collectively, "Texim"), disclaim any and all liability for any errors, inaccuracies or incompleteness contained in any datasheet or in any other disclosure relating to any product.

Texim makes no warranty, representation or guarantee regarding the suitability of the products for any particular purpose or the continuing production of any product.

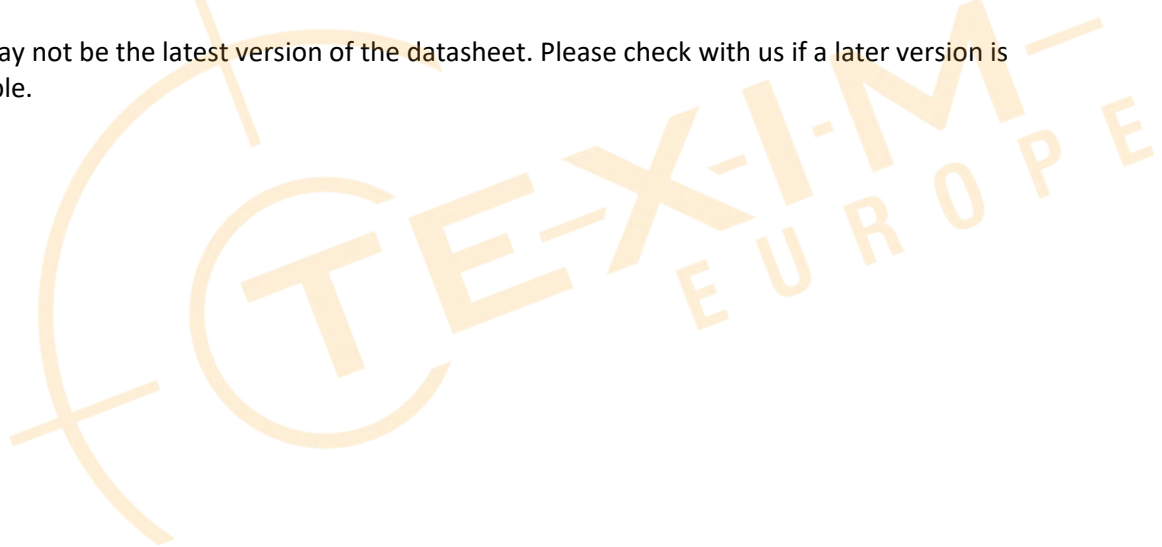
It is the customer's responsibility to validate that a particular product with the properties described in the product specification is suitable for use in a particular application.

Parameters provided in datasheets and / or specifications may vary in different applications and performance may vary over time.

All operating parameters, including typical parameters, must be validated for each customer application by the customer's technical experts.

Please contact us if you have any questions about the contents of the datasheet.

This may not be the latest version of the datasheet. Please check with us if a later version is available.





Headquarters & Warehouse

Elektrostraat 17
 NL-7483 PG Haaksbergen
 The Netherlands

T: +31 (0)53 573 33 33
 E: info@texim-europe.com
 Homepage: www.texim-europe.com



The Netherlands

Elektrostraat 17
 NL-7483 PG Haaksbergen

T: +31 (0)53 573 33 33
 E: nl@texim-europe.com



Belgium

Zuiderlaan 14, box 10
 B-1731 Zellik

T: +32 (0)2 462 01 00
 E: belgium@texim-europe.com



UK & Ireland

St Mary's House, Church Lane
 Carlton Le Moorland
 Lincoln LN5 9HS

T: +44 (0)1522 789 555
 E: uk@texim-europe.com



Germany

Bahnhofstrasse 92
 D-25451 Quickborn

T: +49 (0)4106 627 07-0
 E: germany@texim-europe.com



Germany

Martin-Kollar-Strasse 9
 D-81829 München

T: +49 (0)89 436 086-0
 E: muenchen@texim-europe.com



Austria

Martin-Kollar-Strasse 9
 D-81829 München

T: +49 (0)89 436 086-0
 E: austria@texim-europe.com



Nordic

Stockholmsgade 45
 2100 Copenhagen

T: +45 88 20 26 30
 E: nordic@texim-europe.com



Italy

Martin-Kollar-Strasse 9
 D-81829 München

T: +49 (0)89 436 086-0
 E: italy@texim-europe.com