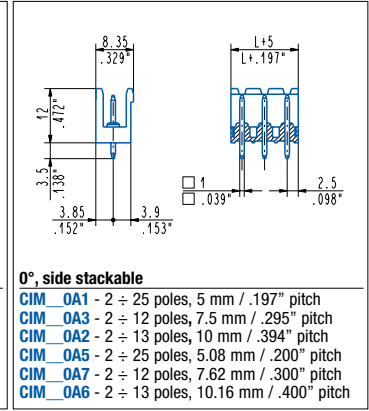
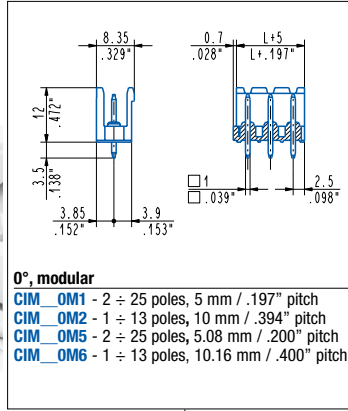
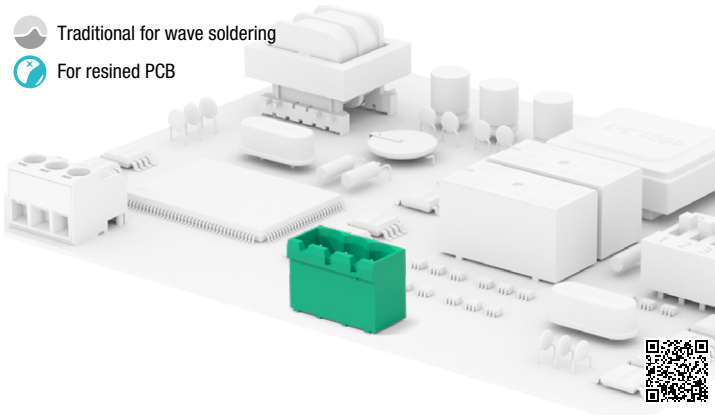


- Traditional for wave soldering
- For resined PCB



Distributed by:



### General data

<b>Dimensional class:</b>	medium
<b>Standard colour:</b>	green
<b>Pitches:</b>	metric 5 mm, 7.5 mm, 10 mm (.197 in, .295 in, .394 in) imperial 5.08, 7.62, 10.16 (.200, .300, .400 in)
<b>PCB thickness:</b>	max 2.4 mm (.094 in)
<b>PCB hole diameter:</b>	min 1.4 mm (.055 in)
<b>Operating temperature range:</b>	-40 °C ÷ +105 °C (-40 °F ÷ +221 °F)
<b>Contact resistance:</b>	<15 mΩ
<b>Insulating material group:</b>	I (CTI ≥ 600V)
<b>Self-extinguishing class UL94:</b>	VO
<b>Insulation resistance:</b>	>10 <sup>9</sup> Ω (500V DC)

### Certifications

**UL (n. E167473)**  
 300 V - 15 A - for 5 mm, 5.08 mm, 7.5 mm and 7.62 mm pitch  
 600 V - 15 A - for 10 mm and 10.16 mm pitch

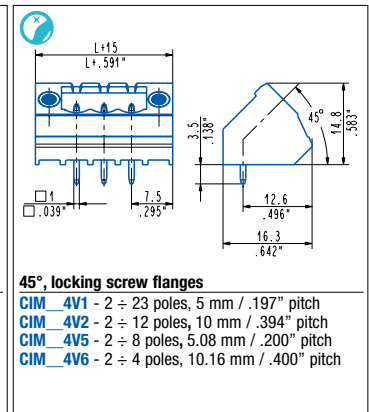
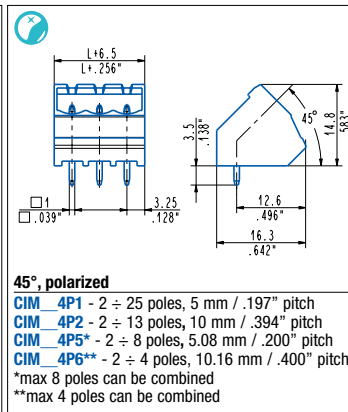
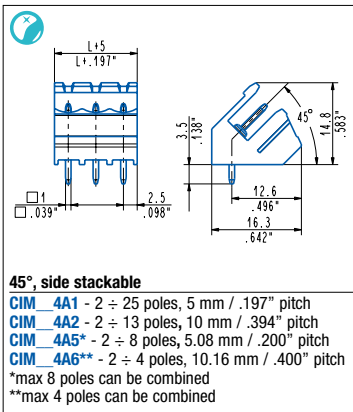
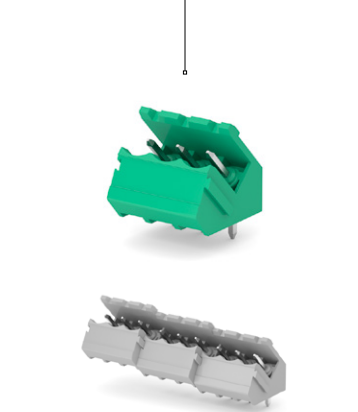
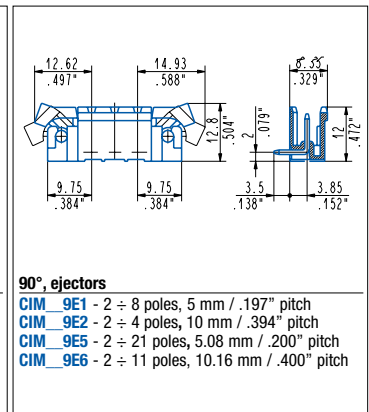
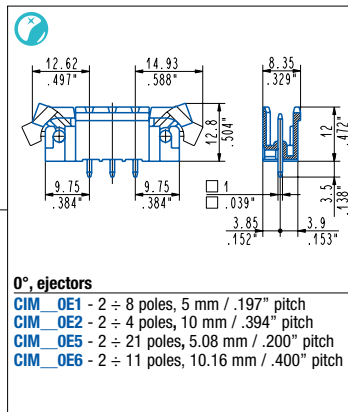
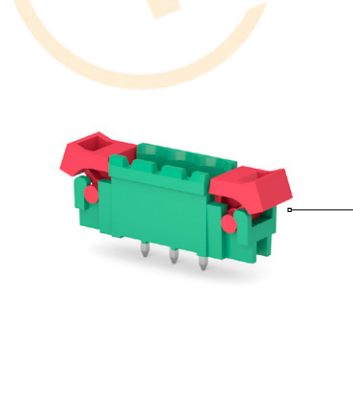
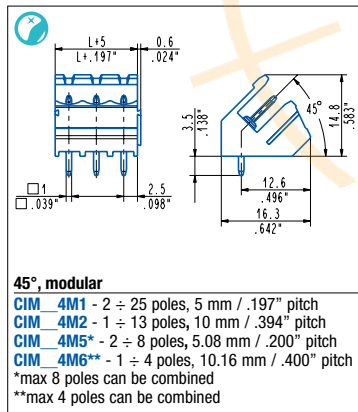
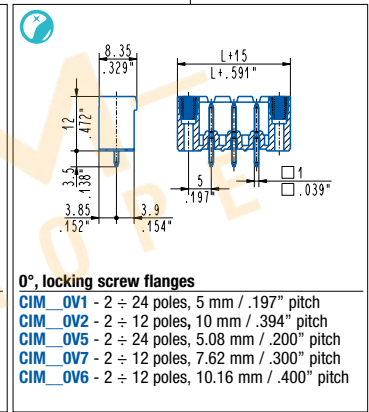
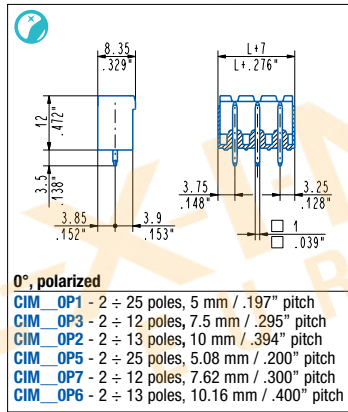
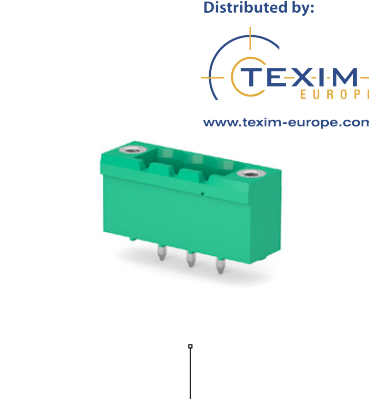
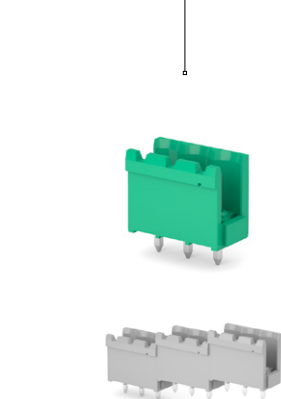
**VDE (n. 40027448)**  
 250 V - 16 A - 2 for 5 mm and 5.08 mm pitch  
 500 V - 16 A - 2 for 7.5 mm and 7.62 mm pitch  
 750 V - 16 A - 2 for 10 mm and 10.16 mm pitch

**IMQ (n. EM672)**  
 300 V - 12 A - for 5 mm and 5.08 mm pitch  
 600 V - 12 A - for 7.5 mm and 7.62 mm pitch  
 1000 V - 12 A - for 10 mm and 10.16 mm pitch

**CSA (n. LR102896)**  
 300 V - 15 A - for 5 mm, 5.08 mm, 7.5 mm and 7.62 mm pitch  
 600 V - 15 A - for 10 mm and 10.16 mm pitch

Application values for end-use equipment have to be in accordance to norms and applicable to it. The certifications of some product's versions could be pending, for more detailed and updated data please refer to our web site [www.sauro.net](http://www.sauro.net) or your representative Sales Manager. A higher number of poles is obtained by combining together modular parts.

Please see "CONNECTORS COMBINATIONS"



**90°, modular**  
**CIM\_9M1** - 2 ÷ 25 poles, 5 mm / .197" pitch  
**CIM\_9M2** - 1 ÷ 13 poles, 10 mm / .394" pitch  
**CIM\_9M5** - 2 ÷ 25 poles, 5.08 mm / .200" pitch  
**CIM\_9M6** - 1 ÷ 13 poles, 10.16 mm / .400" pitch

**90°, side stackable**  
**CIM\_9A1** - 2 ÷ 25 poles, 5 mm / .197" pitch  
**CIM\_9A3** - 2 ÷ 12 poles, 7.5 mm / .295" pitch  
**CIM\_9A2** - 2 ÷ 13 poles, 10 mm / .394" pitch  
**CIM\_9A5** - 2 ÷ 25 poles, 5.08 mm / .200" pitch  
**CIM\_9A7** - 2 ÷ 12 poles, 7.62 mm / .300" pitch  
**CIM\_9A6** - 2 ÷ 13 poles, 10.16 mm / .400" pitch

**90°, polarized**  
**CIM\_9P1** - 2 ÷ 25 poles, 5 mm / .197" pitch  
**CIM\_9P3** - 2 ÷ 12 poles, 7.5 mm / .295" pitch  
**CIM\_9P2** - 2 ÷ 13 poles, 10 mm / .394" pitch  
**CIM\_9P5** - 2 ÷ 25 poles, 5.08 mm / .200" pitch  
**CIM\_9P7** - 2 ÷ 12 poles, 7.62 mm / .300" pitch  
**CIM\_9P6** - 2 ÷ 13 poles, 10.16 mm / .400" pitch

**90°, locking screw flanges**  
**CIM\_9V1** - 2 ÷ 24 poles, 5 mm / .197" pitch  
**CIM\_9V2** - 2 ÷ 12 poles, 10 mm / .394" pitch  
**CIM\_9V5** - 2 ÷ 24 poles, 5.08 mm / .200" pitch  
**CIM\_9V7** - 2 ÷ 12 poles, 7.62 mm / .300" pitch  
**CIM\_9V6** - 2 ÷ 12 poles, 10.16 mm / .400" pitch

**90°, side stackable with stand-off**  
**CIM\_RA1** - 2 ÷ 8 poles, 5 mm / .197" pitch  
**CIM\_RA2** - 2 ÷ 4 poles, 10 mm / .394" pitch  
**CIM\_RA5** - 2 ÷ 8 poles, 5.08 mm / .200" pitch  
**CIM\_RA6** - 2 ÷ 4 poles, 10.16 mm / .400" pitch

**90°, polarized male with stand-off**  
**CIM\_RP1** - 2 ÷ 8 poles, 5 mm / .197" pitch  
**CIM\_RP2** - 2 ÷ 4 poles, 10 mm / .394" pitch

Distributed by:  
  
[www.texim-europe.com](http://www.texim-europe.com)

**270°, modular**  
**CIM\_5M1** - 2 ÷ 25 poles, 5 mm / .197" pitch  
**CIM\_5M2** - 1 ÷ 13 poles, 10 mm / .394" pitch  
**CIM\_5M5** - 2 ÷ 25 poles, 5.08 mm / .200" pitch  
**CIM\_5M6** - 1 ÷ 13 poles, 10.16 mm / .400" pitch

**270°, side stackable**  
**CIM\_5A1** - 2 ÷ 25 poles, 5 mm / .197" pitch  
**CIM\_5A3** - 2 ÷ 12 poles, 7.5 mm / .295" pitch  
**CIM\_5A2** - 2 ÷ 13 poles, 10 mm / .394" pitch  
**CIM\_5A5** - 2 ÷ 25 poles, 5.08 mm / .200" pitch  
**CIM\_5A7** - 2 ÷ 12 poles, 7.62 mm / .300" pitch  
**CIM\_5A6** - 2 ÷ 13 poles, 10.16 mm / .400" pitch

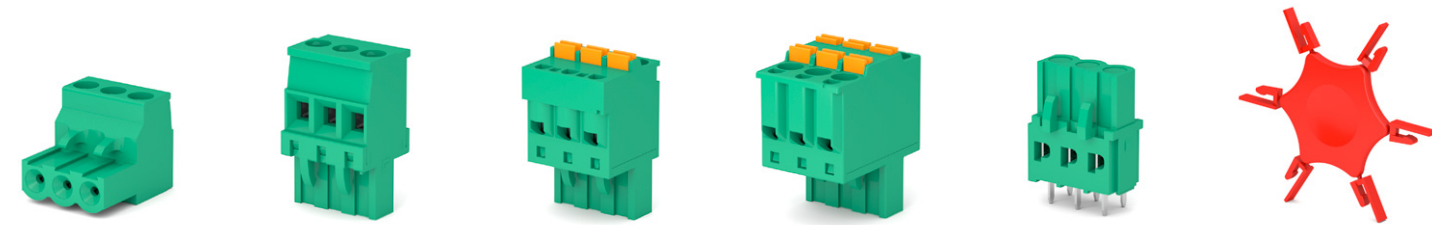
**270°, ejector ears**  
**CIM\_5E1** - 2 ÷ 8 poles, 5 mm / .197" pitch  
**CIM\_5E2** - 2 ÷ 4 poles, 10 mm / .394" pitch  
**CIM\_5E5** - 2 ÷ 21 poles, 5.08 mm / .200" pitch  
**CIM\_5E6** - 2 ÷ 11 poles, 10.16 mm / .400" pitch

**270°, polarized**  
**CIM\_5P1** - 2 ÷ 25 poles, 5 mm / .197" pitch  
**CIM\_5P3** - 2 ÷ 12 poles, 7.5 mm / .295" pitch  
**CIM\_5P2** - 2 ÷ 13 poles, 10 mm / .394" pitch  
**CIM\_5P5** - 2 ÷ 25 poles, 5.08 mm / .200" pitch  
**CIM\_5P7** - 2 ÷ 12 poles, 7.62 mm / .300" pitch  
**CIM\_5P6** - 2 ÷ 13 poles, 10.16 mm / .400" pitch

**270°, locking screw flanges**  
**CIM\_5V1** - 2 ÷ 24 poles, 5 mm / .197" pitch  
**CIM\_5V2** - 2 ÷ 12 poles, 10 mm / .394" pitch  
**CIM\_5V5** - 2 ÷ 24 poles, 5.08 mm / .200" pitch  
**CIM\_5V7** - 2 ÷ 12 poles, 7.62 mm / .300" pitch  
**CIM\_5V6** - 2 ÷ 12 poles, 10.16 mm / .400" pitch

Usable with:

- CIF**  
Page 66
- CVF**  
Page 67
- CCF**  
Page 68
- CCF double**  
Page 69
- CGF/CGFH**  
Page 70
- CIM-SC1**  
Page 83



## **Disclaimer**

ALL PRODUCTS, PRODUCT SPECIFICATIONS AND DATA ARE SUBJECT TO CHANGE WITHOUT NOTICE TO IMPROVE RELIABILITY, FUNCTION OR DESIGN OR OTHERWISE.

Texim Europe B.V. its affiliates, agents, and employees, and all persons acting on its or their behalf (collectively, "Texim"), disclaim any and all liability for any errors, inaccuracies or incompleteness contained in any datasheet or in any other disclosure relating to any product.

Texim makes no warranty, representation or guarantee regarding the suitability of the products for any particular purpose or the continuing production of any product.

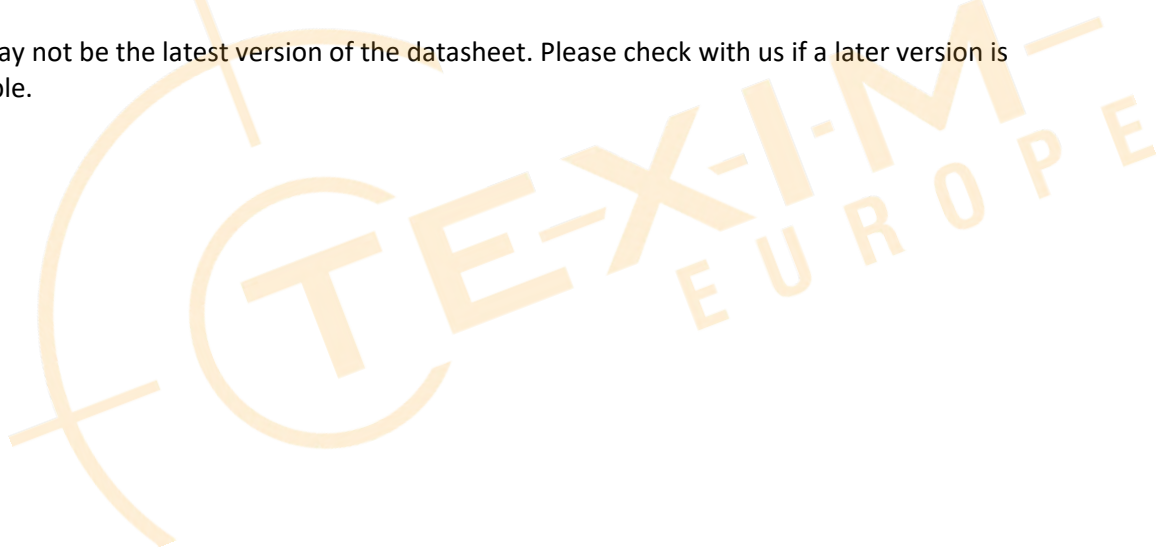
It is the customer's responsibility to validate that a particular product with the properties described in the product specification is suitable for use in a particular application.

Parameters provided in datasheets and / or specifications may vary in different applications and performance may vary over time.

All operating parameters, including typical parameters, must be validated for each customer application by the customer's technical experts.

Please contact us if you have any questions about the contents of the datasheet.

This may not be the latest version of the datasheet. Please check with us if a later version is available.





## Headquarters & Warehouse

Elektrostraat 17  
 NL-7483 PG Haaksbergen  
 The Netherlands

T: +31 (0)53 573 33 33  
 E: info@texim-europe.com  
 Homepage: www.texim-europe.com



### The Netherlands

Elektrostraat 17  
 NL-7483 PG Haaksbergen

T: +31 (0)53 573 33 33  
 E: nl@texim-europe.com



### Belgium

Zuiderlaan 14, box 10  
 B-1731 Zellik

T: +32 (0)2 462 01 00  
 E: belgium@texim-europe.com



### UK & Ireland

St Mary's House, Church Lane  
 Carlton Le Moorland  
 Lincoln LN5 9HS

T: +44 (0)1522 789 555  
 E: uk@texim-europe.com



### Germany

Bahnhofstrasse 92  
 D-25451 Quickborn

T: +49 (0)4106 627 07-0  
 E: germany@texim-europe.com



### Germany

Martin-Kollar-Strasse 9  
 D-81829 München

T: +49 (0)89 436 086-0  
 E: muenchen@texim-europe.com



### Austria

Warwitzstrasse 9  
 A-5020 Salzburg

T: +43 (0)662 216 026  
 E: austria@texim-europe.com



### Nordic

Stockholmsgade 45  
 2100 Copenhagen

T: +45 88 20 26 30  
 E: nordic@texim-europe.com



### Italy

Martin-Kollar-Strasse 9  
 D-81829 München

T: +49 (0)89 436 086-0  
 E: italy@texim-europe.com