


**SPECIFICATION
FOR
LCM+CTP Module**

MODULE No:	KD050WVTPA045-02A-C003A
CUSTOMER:	

STARTEK	INITIAL	DATE
PREPARED BY		
CHECKED BY		
APPROVED BY		

CUSTOMER	INITIAL	DATE
APPROVED BY		

Part. No	KD050WVTPA045-02A-C003A	REV	V1.0	Page 1 of 38
	常备库存 Standing Stock	长期供货 Long Time supply	支持小量 NO MOQ	品种齐全 In Full Range

Contents

*Basic Specifications	4
*CTP Features	4
1. Block Diagram	6
2. Outline dimension	7
3.1 TFT	8
3.2 CTP	10
4. LCD Optical Characteristics	11
4.1 Optical specification	11
5. Electrical Characteristics	14
5.1 Absolute Maximum Rating (Ta=25 VSS=0V)	14
5.2 DC Electrical Characteristics	14
5.3 LED Backlight Characteristics	15
6.1 AC Timing characteristics	16
7. CTP Specification	20
7.1 Electrical Characteristics	20
7.1.1 Absolute Maximum Rating	20
7.2 AC Characteristics	21
7.2.1 I2C Interface	21
8. LCD Module Out-Going Quality Level	27
8.1 VISUAL & FUNCTION INSPECTION STANDARD	27
8.1.1 Inspection conditions	27
8.1.2 Definition	27
8.1.3 Sampling Plan	28
8.1.4 Criteria (Visual)	29
9. Reliability Test Result	35
9.1 Condition	35
10. Cautions and Handling Precautions	36
10.1 Handling and Operating the Module	36
10.2 Storage and Transportation	37
11. Packing	38

Part. No

KD050WVTPA045-02A-C003A

REV

V1.0

Page 3 of 38

常备库存
Standing Stock

长期供货
Long Time supply

支持小量
NO MOQ

品种齐全
In Full Range

1. Basic Specifications

* Description

This is a color active matrix TFT (Thin Film Transistor) LCD (liquid crystal display) that uses amorphous silicon TFT as a switching device. This model is composed of a Transmissive type TFT-LCD Panel, driver circuit, back-light unit. The resolution of a 5.0" TFT-LCD contains 800x480 pixels, and can display up to 65K/262K/16.7M colors.

1.1 Features

General Information Items	Specification	Unit	Note
	Main Panel		
Display area(AA)	108.00(H) *64.80(V) (5.0inch)	mm	-
CTP View area	109.00(H)*65.80(V)	mm	-
Driver element	TFT active matrix	-	-
Display colors	65K/262K/16.7M	colors	-
Number of pixels	800(RGB)*480	dots	-
TFT Pixel arrangement	RGB vertical stripe	-	-
Pixel pitch	0.135(H) x 0.135(V)	mm	-
Viewing angle	12:00	o'clock	-
TFT Controller IC	ILI5960/ILI6122	-	-
Display mode	Transmissive/Normally White	-	-
Operating temperature	-20~+70	°C	-
Storage temperature	-30~+80	°C	-
Module bonding technology	Use Tape bonding between LCM and CTP		

1.2 CTP Features

General Information Items	Specification	Unit	Note
	Main Panel		
Resolution	800(H)*480(V)	-	
Structure	G+G	-	
Controller IC	GT911	-	
Interface	I2C	-	
Slave Address	0x5D(7bit) or 0x14(7bit)	-	Note1
Touch mode	Five points and Gestures	-	-
Logic level	3.3	V	

Note1: For specific configuration method, please refer to section 7.2

Part. No	KD050WVTPA045-02A-C003A	REV	V1.0	Page 4 of 38
	常备库存 Standing Stock	长期供货 Long Time supply	支持小量 NO MOQ	品种齐全 In Full Range

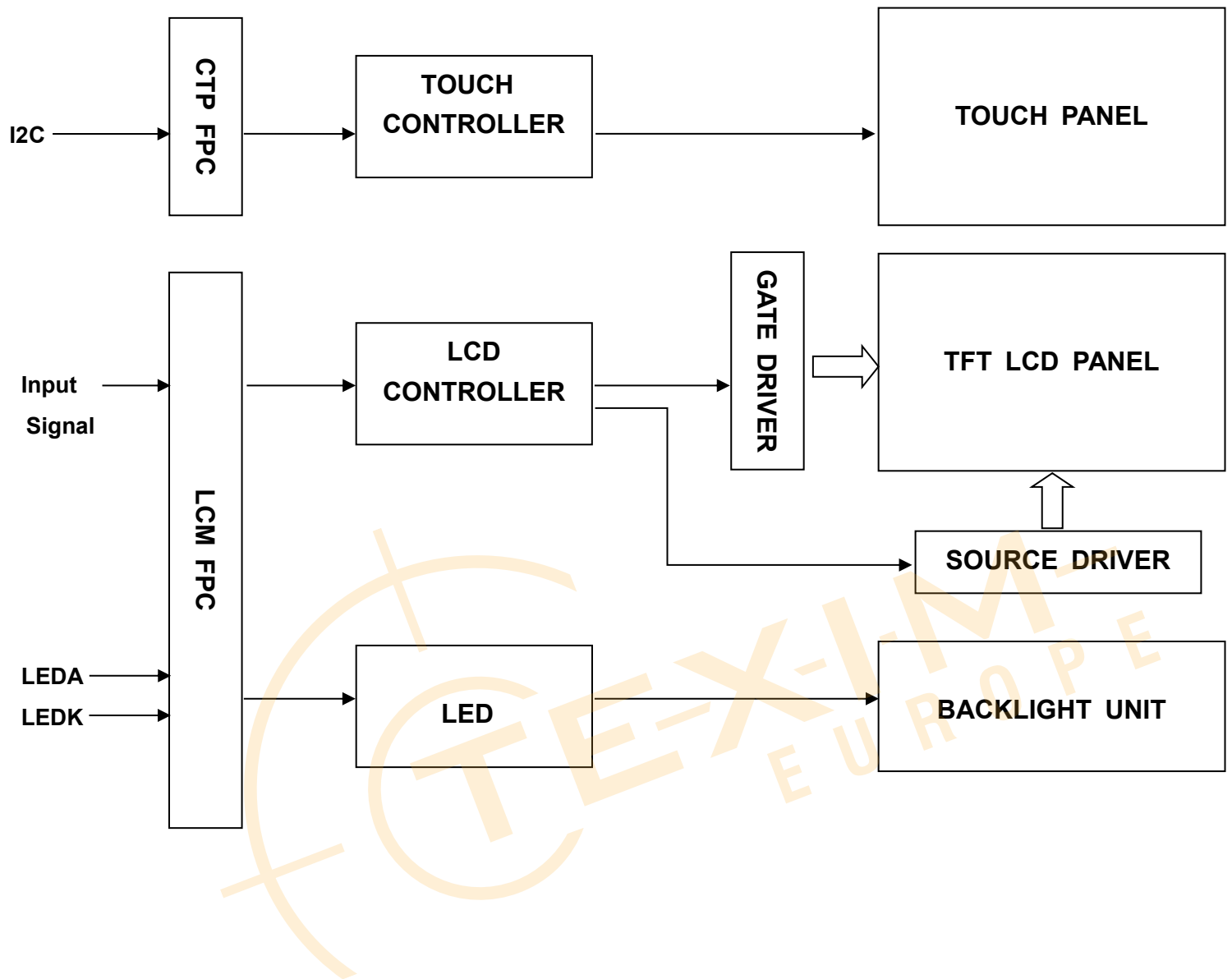
1.3 Mechanical Information

Item		Min.	Typ.	Max.	Unit	Note
Module size	Horizontal(H)		132.72		mm	-
	Vertical(V)		87.80		mm	-
	Depth(D)		4.88		mm	-
Weight			TBD		g	-



Part. No	KD050WVTPA045-02A-C003A	REV	V1.0	Page 5 of 38
	常备库存 Standing Stock	长期供货 Long Time supply	支持小量 NO MOQ	品种齐全 In Full Range

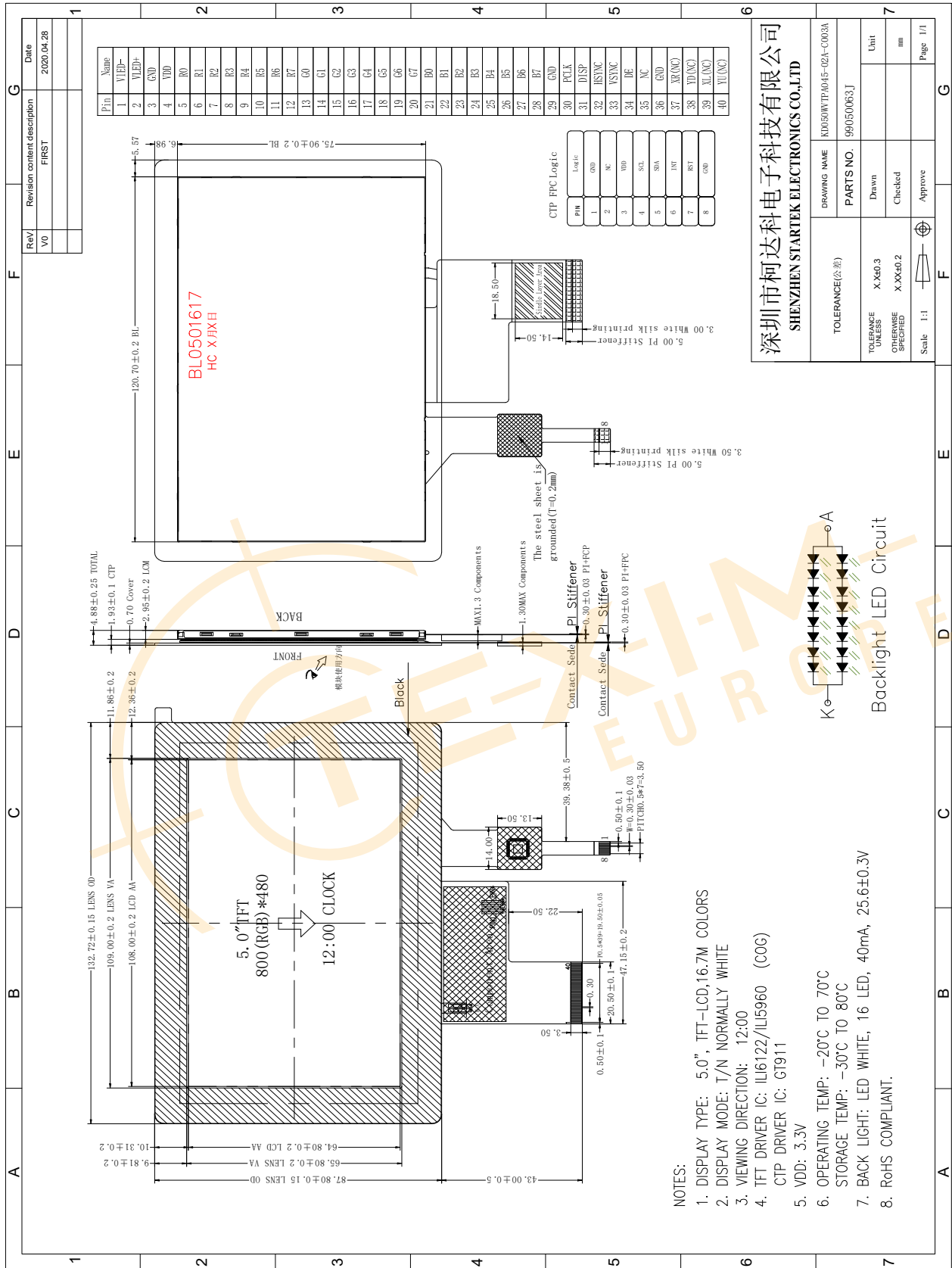
1. Block Diagram



Part. No	KD050WVTPA045-02A-C003A	REV	V1.0	Page 6 of 38
	常备库存 Standing Stock	长期供货 Long Time supply	支持小量 NO MOQ	品种齐全 In Full Range



2. Outline dimension



深圳市柯达电子科技有限公司
SHENZHEN STARTEK ELECTRONICS CO.,LTD

DRAWING NAME	IKD050WVTPA045-02A-C003A
PARTS NO.	99050063.J
TOLERANCE (公差)	
TOLERANCE UNLESS OTHERWISE SPECIFIED	X.XX0.3
OTHERWISE SPECIFIED	X.XX0.2
Drawn	
Checked	
Approve	
Unit	mm
Scale	1:1
Page	1/1

Part. No	IKD050WVTPA045-02A-C003A	REV	V1.0	Page 7 of 38
----------	--------------------------	-----	------	--------------

常备库存 Standing Stock 长期供货 Long Time supply 支持小量 NO MOQ 品种齐全 In Full Range



3. Input terminal Pin Assignment

3.1 TFT

NO.	SYMBOL	DISCRIPTION	I/O
1	LEDK	Cathode pin OF backlight	P
2	LEDA	Anode pin of backlight	P
3	GND	Ground.	P
4	VDD	Supply voltage (3.3V).	P
5	R0	Red data input.	I
6	R1	Red data input.	I
7	R2	Red data input.	I
8	R3	Red data input.	I
9	R4	Red data input.	I
10	R5	Red data input.	I
11	R6	Red data input.	I
12	R7	Red data input.	I
13	G0	Green data input.	I
14	G1	Green data input.	I
15	G2	Green data input.	I
16	G3	Green data input.	I
17	G4	Green data input.	I
18	G5	Green data input.	I
19	G6	Green data input.	I
20	G7	Green data input.	I
21	B0	Blue data input.	I
22	B1	Blue data input.	I
23	B2	Blue data input.	I
24	B3	Blue data input.	I
25	B4	Blue data input.	I

Part. No

KD050WVTPA045-02A-C003A

REV

V1.0

Page 8 of 38

 常备库存
 Standing Stock

 长期供货
 Long Time supply

 支持小量
 NO MOQ

 品种齐全
 In Full Range

26	B5	Blue data input.	I
27	B6	Blue data input.	I
28	B7	Blue data input.	I
29	GND	Ground.	P
30	PCLK	Clock signal. Latching data at the rising edge	I
31	DISP	Standby setting for testing, it should be connected to VDD in normal operation mode. If connected to GND, the IC is in standby mode.	I
32	HSYNC	Horizontal Sync input. Negative polarity.	I
33	VSYNC	Vertical Sync input. Negative polarity.	I
34	DE	Data input Enable. Active High to enable the data input Bus under "DE Mode".	I
35	NC	NC.	
36	GND	Ground.	P
37	XR(NC)	NC	
38	YD(NC)	NC	
39	XL(NC)	NC	
40	YU(NC)	NC	

3.2 CTP

NO.	SYMBOL	DISCRIPTION	I/O
1	GND	Ground.	P
2	N C		
3	VDD	Supply voltage.	P
4	SCL	I2C clock input.	I
5	SDA	I2C data input and output	I/O
6	INT	External interrupt to the host.	I
7	RST	External Reset, Low is active.	I
8	GND	Ground.	P



Part. No	KD050WVTPA045-02A-C003A	REV	V1.0	Page 10 of 38
	常备库存 Standing Stock	长期供货 Long Time supply	支持小量 NO MOQ	品种齐全 In Full Range

4. LCD Optical Characteristics

4.1 Optical specification

Item	Symbol	Condition	Min.	Typ.	Max.	Unit.	Note
Contrast Ratio	CR	$\Theta=0$	400	500			
Response time	Rising	Normal viewing angle	--	10	20	msec	*
	Falling		--	20	30		
Color gamut	S(%)		--	45	--	%	*
Color Filter Chromaticity	White	W_x	+0.04	0.2959	+0.04		
		W_y		0.3122			
	Red	R_x		0.5440			
		R_y		0.3330			
	Green	G_x		0.3375			
		G_y		0.5601			
	Blue	B_x		0.1486			
		B_y		0.0880			
Viewing angle	Hor.	Θ_L	--	70	--		*
		Θ_R	--	70	--		
	Ver.	Θ_U	--	50	--		
		Θ_D	--	70	--		
Option View Direction	12 o'clock						

*The data comes from the LCD specification.

Measuring Condition

Measuring surrounding : dark room

Ambient temperature : $25 \pm 2^\circ\text{C}$

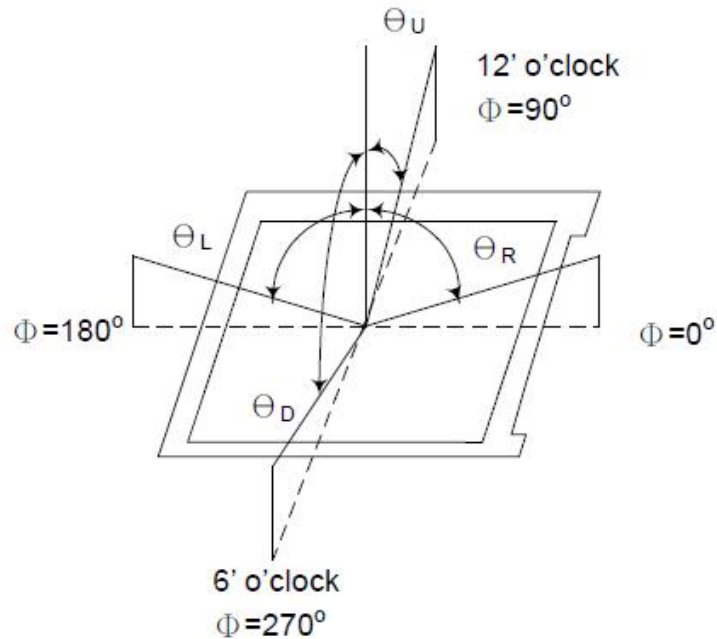
15min. warm-up time.

Measuring Equipment

FPM520 of Westar Display technologies, INC., which utilized SR-3 for Chromaticity and BM-5A for other optical characteristics.

Part. No	KD050WVTPA045-02A-C003A	REV	V1.0	Page 11 of 38
	常备库存 Standing Stock	长期供货 Long Time supply	支持小量 NO MOQ	品种齐全 In Full Range

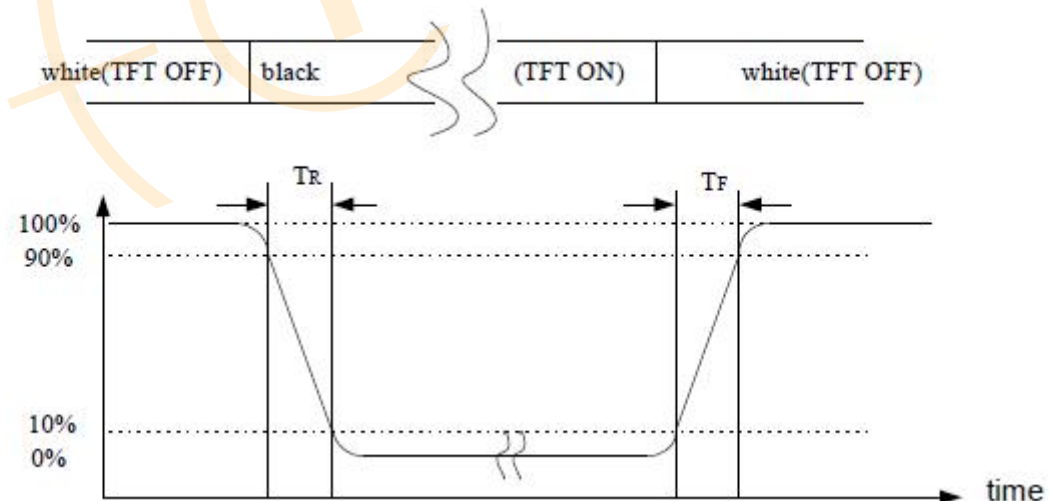
Note (1): Definition of Viewing Angle :



Note (2): Definition of Contrast Ratio(CR) :measured at the center point of panel

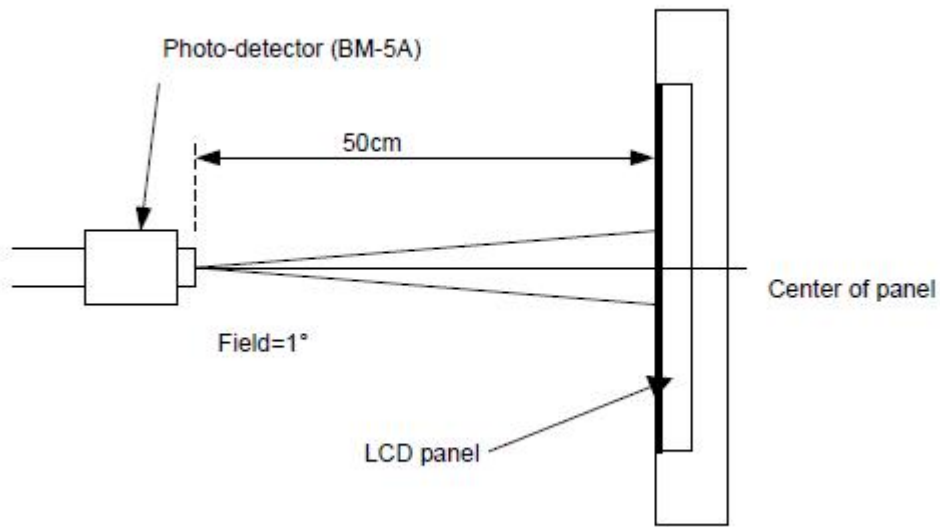
$$CR = \frac{\text{Luminance with all pixels white}}{\text{Luminance with all pixels black}}$$

Note (3): Response Time



Part. No	KD050WVTPA045-02A-C003A	REV	V1.0	Page 12 of 38
	常备库存 Standing Stock	长期供货 Long Time supply	支持小量 NO MOQ	品种齐全 In Full Range

Note (4): Definition of optical measurement setup



Part. No	KD050WVTPA045-02A-C003A	REV	V1.0	Page 13 of 38
常备库存 Standing Stock	长期供货 Long Time supply	支持小量 NO MOQ	品种齐全 In Full Range	

5. Electrical Characteristics

5.1 Absolute Maximum Rating (Ta=25 VSS=0V)

Characteristics	Symbol	Min.	Max.	Unit
Digital Supply Voltage	VCI/VDD	-0.5	5.0	V
Operating temperature	T _{OP}	-20	+70	°C
Storage temperature	T _{ST}	-30	+80	°C

NOTE: If the absolute maximum rating of even is one of the above parameters is exceeded even momentarily, the quality of the product may be degraded. Absolute maximum ratings, therefore, specify the values exceeding which the product may be physically damaged. Be sure to use the product within the range of the absolute maximum ratings.

5.2 DC Electrical Characteristics

Characteristics	Symbol	Min.	Typ.	Max.	Unit	Note
Digital Supply Voltage	VCI/VDD	3.0	3.3	3.6	V	
Normal mode Current consumption	IDD	--	100	200	mA	
Level input voltage	V _{IH}	0.7V _{DD}	--	V _{DD}	V	
	V _{IL}	GND	--	0.3V _{DD}	V	
Level output voltage	V _{OH}	V _{DD} -0.4	--	--	V	
	V _{OL}	GND	--	GND+0.4	V	

5.3 LED Backlight Characteristics

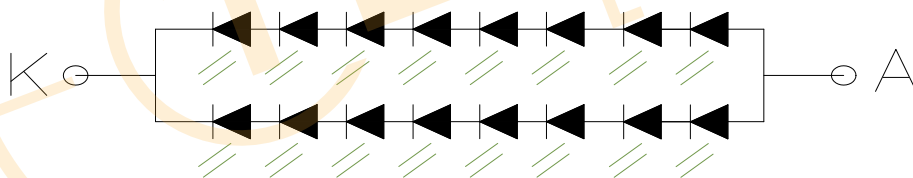
The back-light system is edge-lighting type with 16 chips White LED

Item	Symbol	Min.	Typ.	Max.	Unit	Note
Forward Current	I_F	30	40	--	mA	
Forward Voltage	V_F	--	25.6	--	V	
LCM Luminance	L_v	600	650	--	cd/m ²	If=40mA
LED life time	Hr	50000	--	--	Hour	Note1,2
Uniformity	AVg	80	--	--	%	

Note (1) LED life time (Hr) can be defined as the time in which it continues to operate under the condition:

$T_a=25\pm 3\text{ }^\circ\text{C}$, typical IL value indicated in the above table until the brightness becomes less than 50%.

Note (2) The "LED life time" is defined as the module brightness decrease to 50% original brightness at $T_a=25\text{ }^\circ\text{C}$ and $I_L=40\text{mA}$. The LED lifetime could be decreased if operating I_L is larger than 40mA. The constant current driving method is suggested.



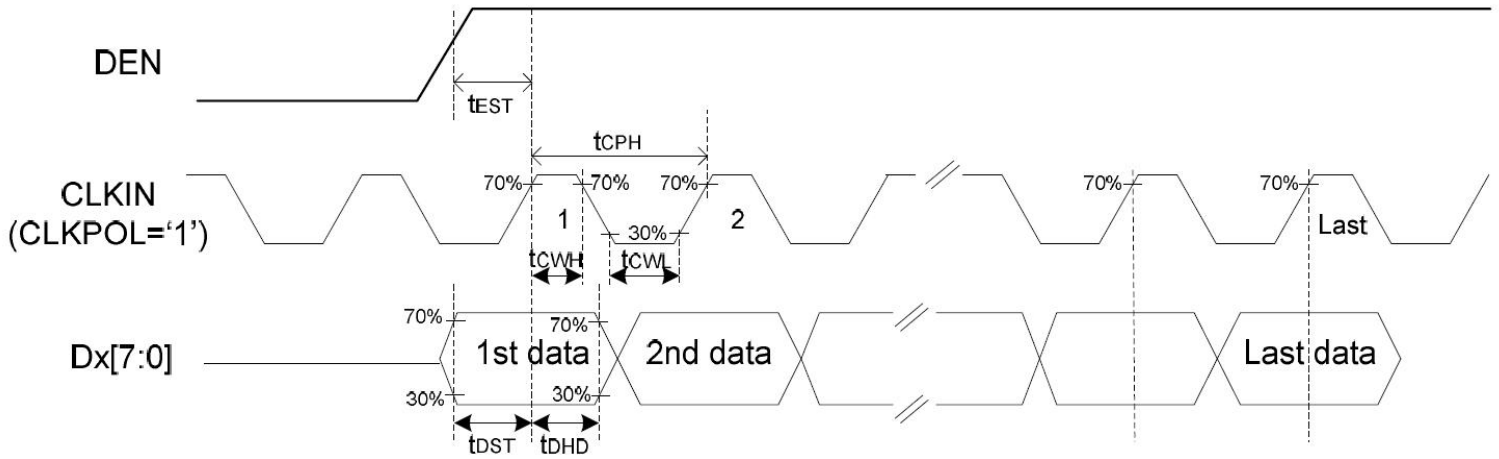
Backlight LED Circuit

Part. No	KD050WVTPA045-02A-C003A	REV	V1.0	Page 15 of 38
	常备库存 Standing Stock	长期供货 Long Time supply	支持小量 NO MOQ	品种齐全 In Full Range

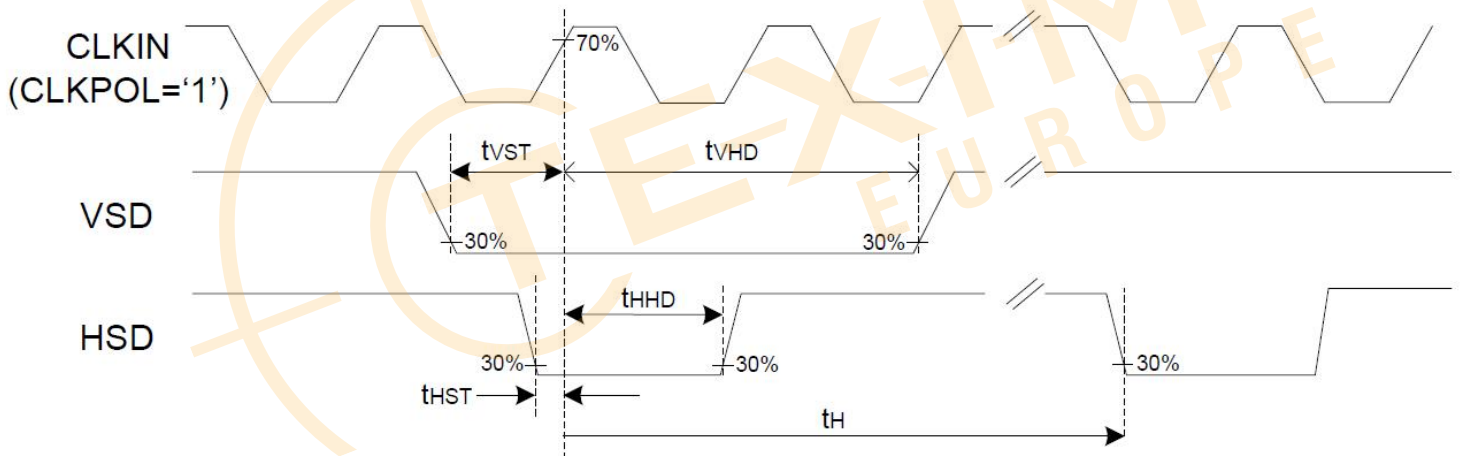
6. TFT AC Characteristic

6.1 AC Timing characteristics

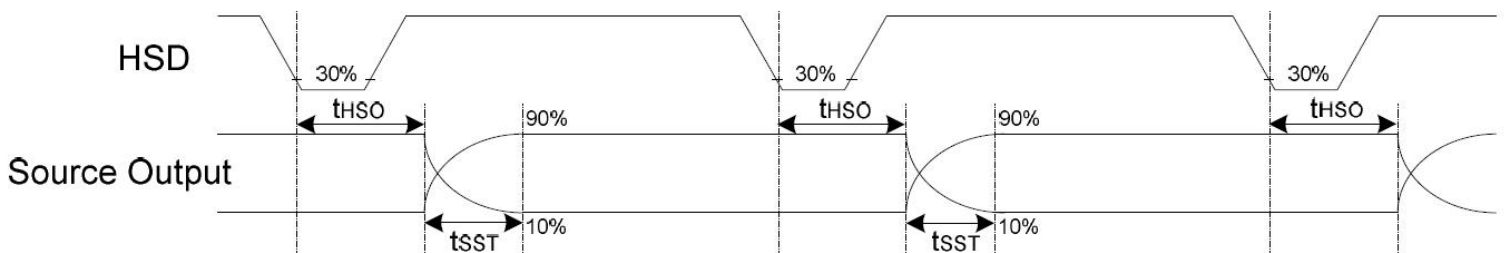
DE Mode (MODE='1')



SYNC Mode (MODE='0')

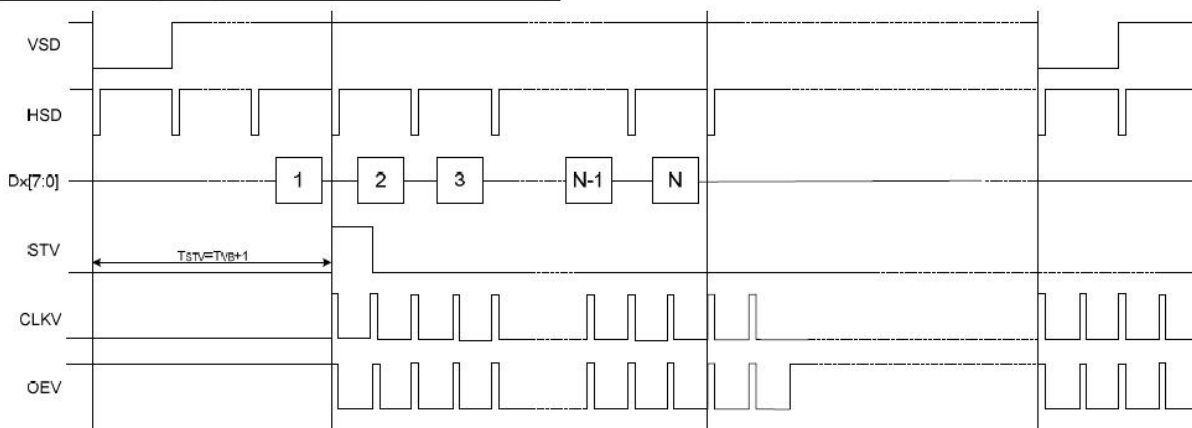


Source Output timing Diagram (Cascade)

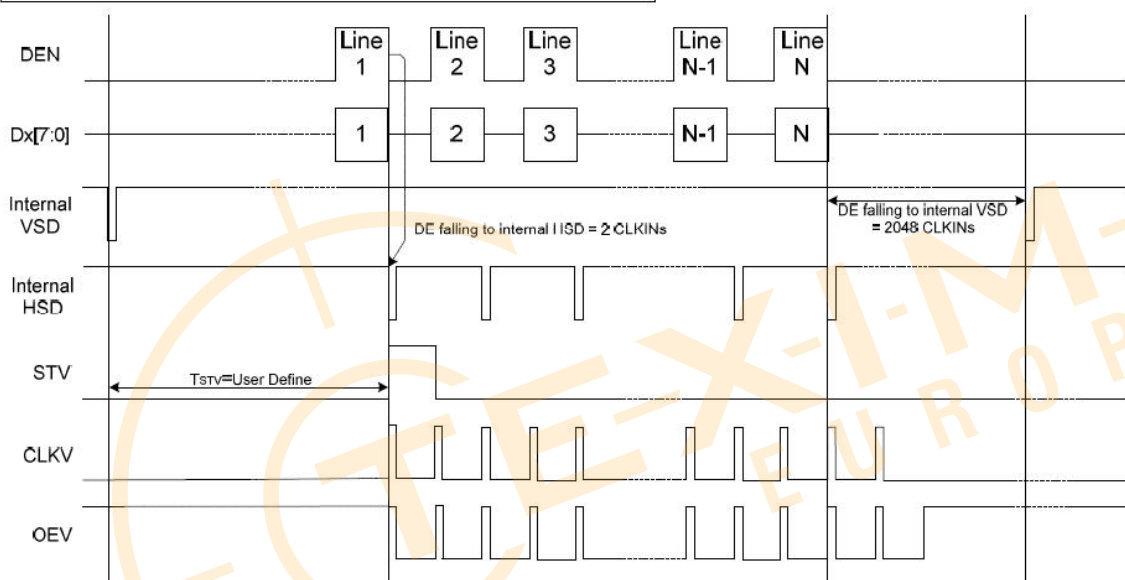


Part. No	KD050WVTPA045-02A-C003A	REV	V1.0	Page 16 of 38
	常备库存 Standing Stock	长期供货 Long Time supply	支持小量 NO MOQ	品种齐全 In Full Range

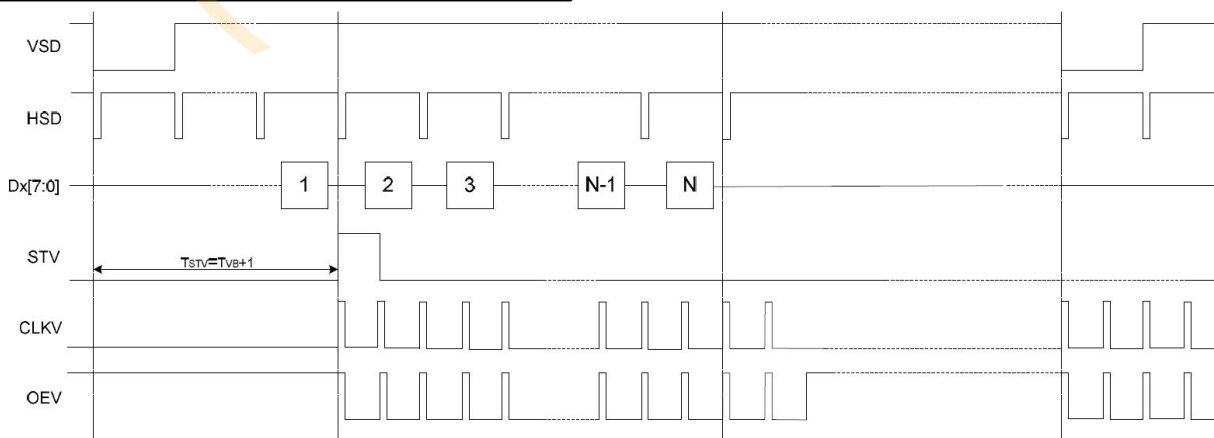
Vertical Timing Diagram of SYNC Mode (Dual Gate)



Vertical Timing Diagram of DE Mode (Dual Gate)

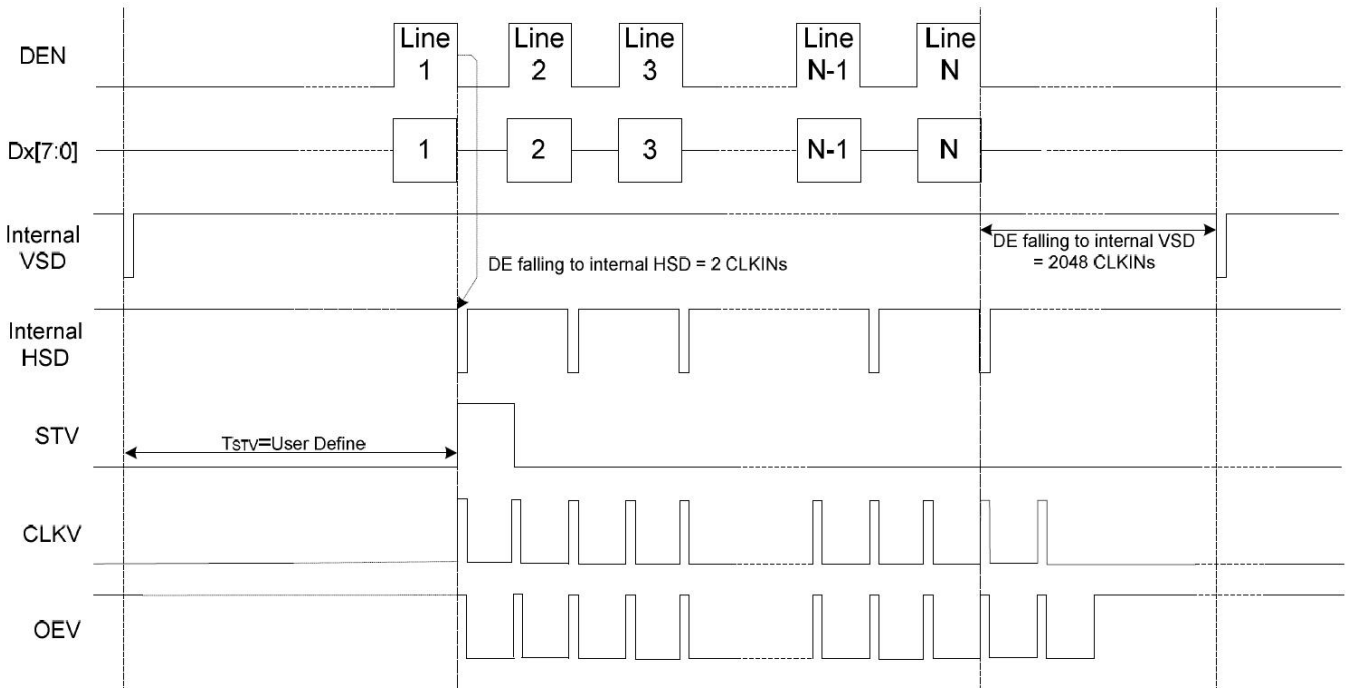


Vertical Timing Diagram of SYNC Mode (Dual Gate)

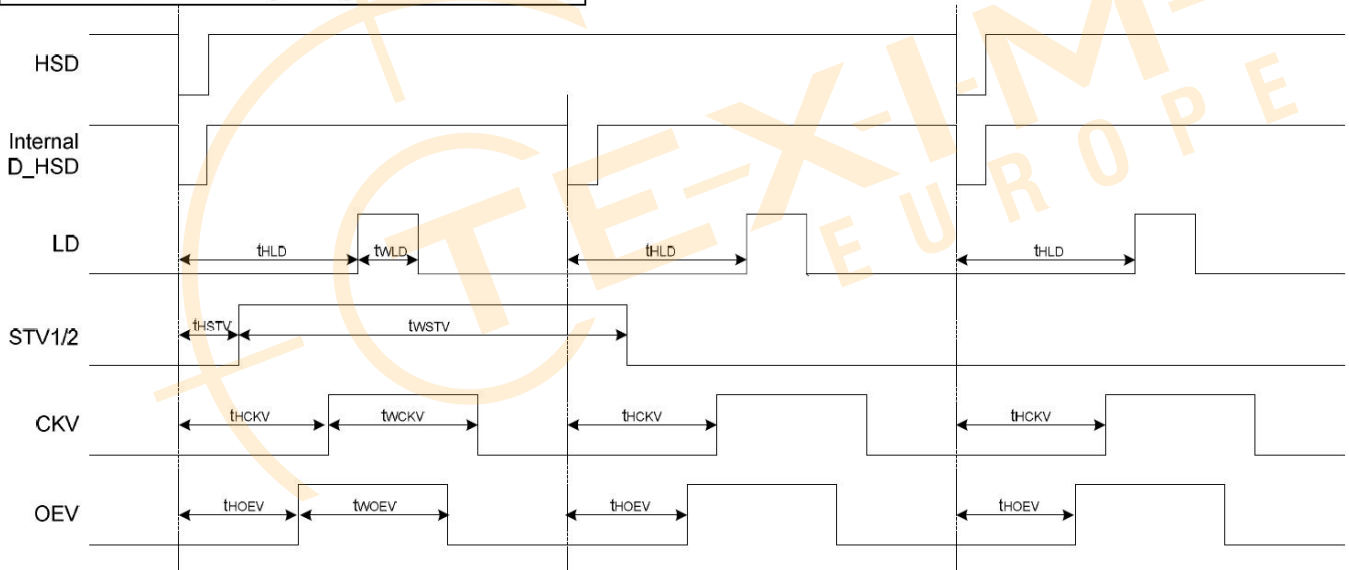


Part. No	KD050WVTPA045-02A-C003A	REV	V1.0	Page 17 of 38
	常备库存 Standing Stock	长期供货 Long Time supply	支持小量 NO MOQ	品种齐全 In Full Range

Vertical Timing Diagram of DE Mode (Dual Gate)



Gate Output Timing Diagram (Dual Gate)



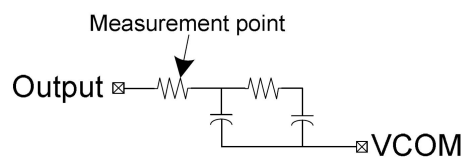
Part. No	KD050WVTPA045-02A-C003A	REV	V1.0	Page 18 of 38
	常备库存 Standing Stock	长期供货 Long Time supply	支持小量 NO MOQ	品种齐全 In Full Range

Parameter	Symbol	Spec			Unit.	Description
		Min.	Typ.	Max.		
VDD Power ON slew rate	t_{POR}	--	--	20	ms	0V ~ 0.9VDD
RSTB pulse width	t_{RST}	10	--	--	us	CLKIN=50MHz
CLKIN cycle time	t_{CPH}	20	--	--	ns	
CLKIN pulse duty	t_{CWH}	40	50	60	%	
VSD setup time	t_{VST}	8	--	--	ns	
VSD hold time	t_{VHD}	8	--	--	ns	
HSD setup time	t_{HST}	8	--	--	ns	
HSD hold time	t_{HST}	8	--	--	ns	
Data setup time	t_{DST}	8	--	--	ns	D0[7:0], D1[7:0], D2[7:0] to CLKIN
Data hold time	t_{DHD}	8	--	--	ns	D0[7:0], D1[7:0], D2[7:0] to CLKIN
DE setup time	t_{EST}	8	--	--	ns	
DE hold time	t_{EHD}	8	--	--	ns	
Output stable time	t_{SST}	--	--	6	us	10% to 90% target voltage.
CLKIN frequency	f_{CLK}	--	40	50	MHz	VDD=3.0 ~ 3.6V
CLKIN cycle time	t_{CLK}	20	25	--	ns	
CLKIN pulse duty	t_{CWH}	40	50	60	%	T_{CLK}
Time from HSD to Source output	t_{HSO}	--	20	--	CLKIN	
Time from HSD to LD	t_{HLD}	--	20	--	CLKIN	Note (2)
Time from HSD to STV	t_{HSTV}	--	20	--	CLKIN	
Time from HSD to CKV	t_{HCKV}	--	2	--	CLKIN	
Time from HSD to OEV	t_{HOEV}	--	4	--	CLKIN	
LD pulse width	t_{WLD}	--	10	--	CLKIN	Note (2)
CKV pulse width	t_{WCKV}	--	66	--	CLKIN	
OEV pulse width	t_{WOEV}	--	74	--	CLKIN	

Note: (1) VDD=3.0 ~ 3.6V, VDDA=6.5~13.5V, DGND=AGND=0V, Ta=-20~+85°C

(2) The contents of the data register are transferred to the latch circuit at the rising edge of LD. Then the gray scale voltage is output from the device at the falling edge of LD.

(3) Output loading condition :



Part. No	KD050WVTPA045-02A-C003A	REV	V1.0	Page 19 of 38
常备库存 Standing Stock	长期供货 Long Time supply	支持小量 NO MOQ	品种齐全 In Full Range	

7. CTP Specification

7.1 Electrical Characteristics

7.1.1 Absolute Maximum Rating

Item	Symbol	Min.	Max.	Unit	Note
Power Supply Voltage	VDD	-0.3	3.47	V	1
I/O Digital Voltage	VDDIO	-0.3	3.47	V	1
Operating temperature	T _{OP}	-20	+70	°C	-
Storage temperature	T _{ST}	-30	+80	°C	-

NOTES:

- If used beyond the absolute maximum ratings, FT6236 may be permanently damaged. It is strongly recommended that the device be used within the electrical characteristics in normal operations. If exposed to the condition not within the electrical characteristics, it may affect the reliability of the device.

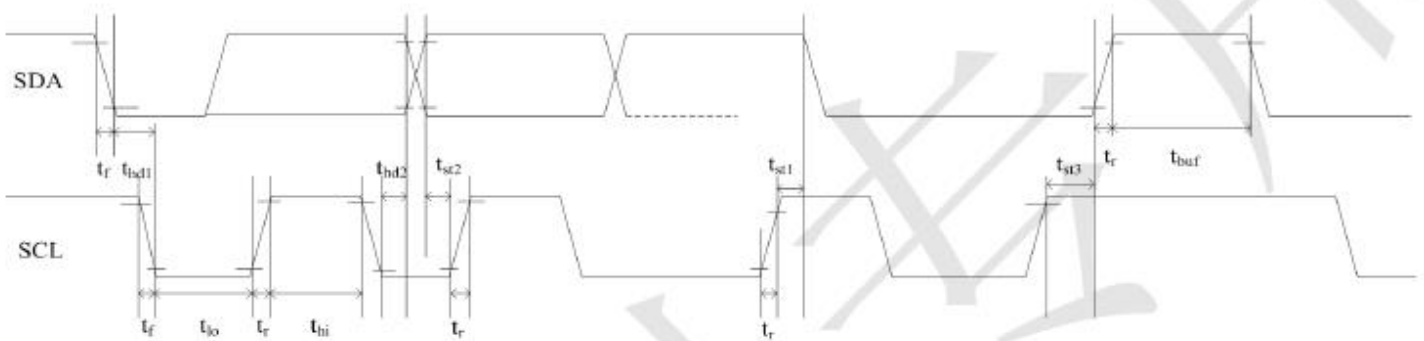
7.1.2 DC Electrical Characteristics (Ta=25°C)

Item	Symbol	Min.	Typ.	Max.	Unit	Note
Digital supply voltage	VDD	2.8	-	3.3	V	
I/O Digital supply voltage	VDDIO	1.8	-	3.3	V	
Normal operation mode Current consumption	I _{opr}	-	8	14.5	mA	
Green mode Current consumption	I _{mon}	-	3.3	-	mA	
Sleep mode Current consumption	I _{slp}	70	-	120	uA	
Level input voltage	V _{IH}	0.75V _{DDIO}	-	V _{DDIO} +0.3	V	
	V _{IL}	-0.3	-	0.25V _{DDIO}	V	
Level output voltage	V _{OH}	0.85V _{DDIO}	-	-	V	
	V _{OL}	-	-	0.15V _{DDIO}	V	

7.2 AC Characteristics

7.2.1 I2C Interface

GT911 provides a standard I²C interface for SCL and SDA to communicate with the host. GT911 always serves as slave device in the system with all communication being initialized by the host. It is strongly recommended that transmission rate be kept at or below 400Kbps. The I²C timing is shown below:



Test condition 1: 1.8V host interface voltage, 400Kbps transmission rate, 2K pull-up resistor

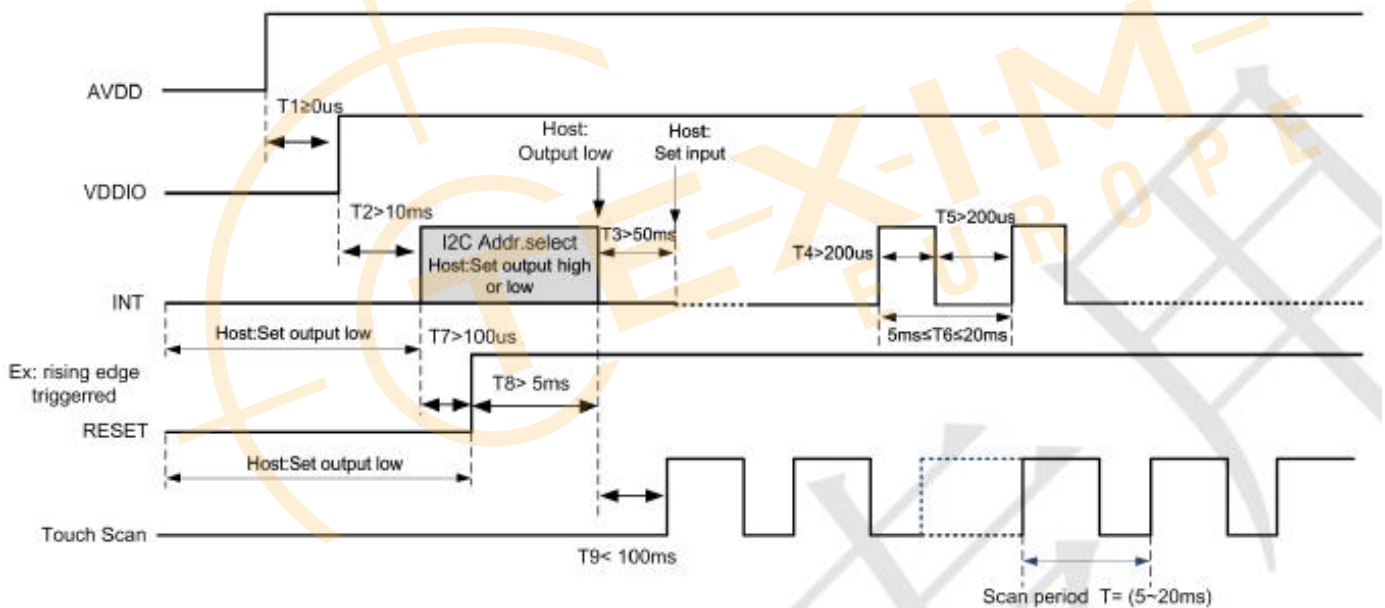
Parameter	Symbol	Min.	Max.	Unit
SCL low period	t_{10}	1.3	-	US
SCL high period	t_{hi}	0.6	-	US
SCL setup time for Start condition	t_{st1}	0.6	-	US
SCL setup time for Stop condition	t_{st3}	0.6	-	US
SCL hold time for Start condition	t_{hd1}	0.6	-	US
SDA setup time	t_{st2}	0.1	-	US
SDA hold time	t_{hd2}	0	-	US

Test condition 2: 3.3V host interface voltage, 400Kbps transmission rate, 2K pull-up resistor

Parameter	Symbol	Min.	Max.	Unit
SCL low period	t_{lo}	1.3	-	US
SCL high period	t_{hi}	0.6	-	US
SCL setup time for Start condition	t_{st1}	0.6	-	US
SCL setup time for Stop condition	t_{st3}	0.6	-	US
SCL hold time for Start condition	t_{hd1}	0.6	-	US
SDA setup time	t_{st2}	0.1	-	US
SDA hold time	t_{hd2}	0	-	US

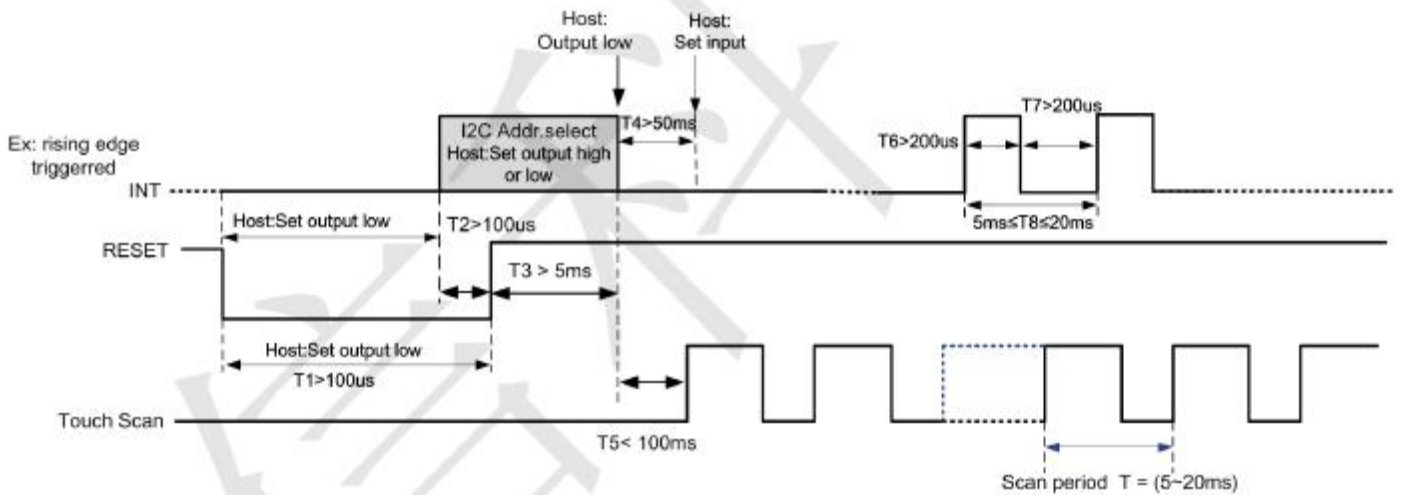
GT911 supports two I2C slave addresses: 0xBA/0xBB and 0x28/0x29. The host can select the address by changing the status of Reset and INT pins during the power-on initialization phase. See the diagram below for configuration methods and timings:

Power-On Timing:

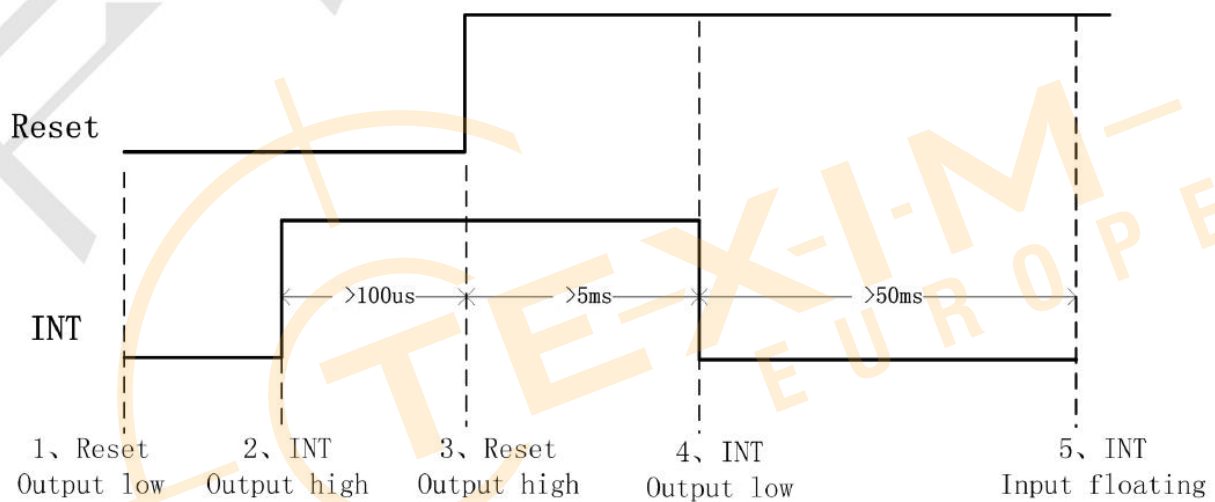


Timing for host resetting GT911:

Part. No	KD050WVTPA045-02A-C003A	REV	V1.0	Page 22 of 38
	常备库存 Standing Stock	长期供货 Long Time supply	支持小量 NO MOQ	品种齐全 In Full Range

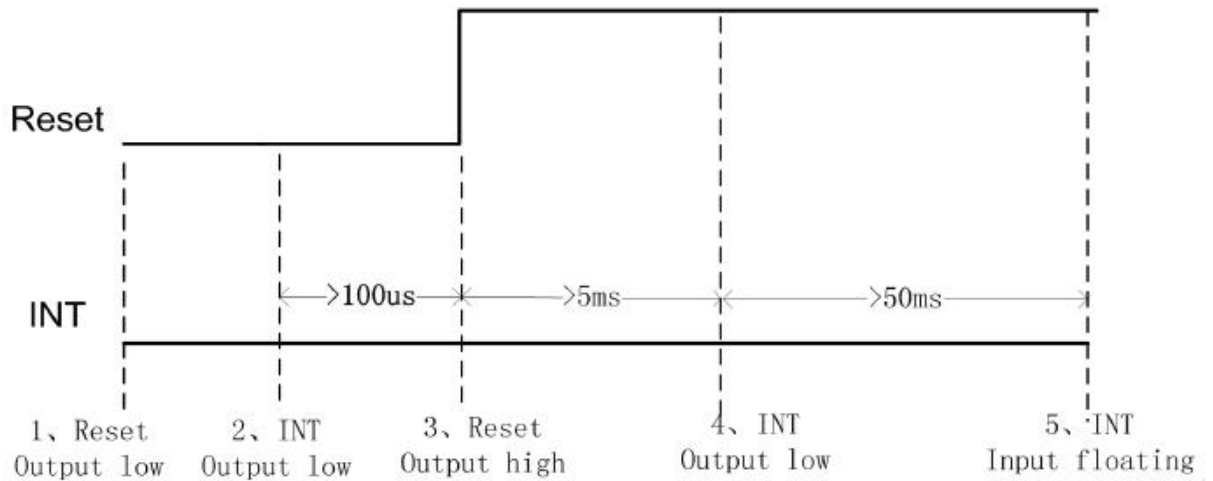


Timing for setting slave address to 0x28/0x29:



Timing for setting slave address to 0xBA/0xBB:

Part. No	KD050WVTPA045-02A-C003A	REV	V1.0	Page 23 of 38
	常备库存 Standing Stock	长期供货 Long Time supply	支持小量 NO MOQ	品种齐全 In Full Range



a) Data Transmission

(For example: device address is 0xBA/0xBB)

Communication is always initiated by the host. Valid Start condition is signaled by pulling SDA line from “high” to “low” when SCL line is “high”. Data flow or address is transmitted after the Start condition.

All slave devices connected to I²C bus should detect the 8-bit address issued after Start condition and send the correct ACK. After receiving matching address, GT911 acknowledges by configuring SDA line as output port and pulling SDA line low during the ninth SCL cycle. When receiving unmatched address, namely, not 0xBA or 0xBB, GT911 will stay in an idle state.

Part. No	KD050WVTPA045-02A-C003A	REV	V1.0	Page 24 of 38
	常备库存 Standing Stock	长期供货 Long Time supply	支持小量 NO MOQ	品种齐全 In Full Range

For data bytes on SDA, each of 9 serial bits will be sent on nine SCL cycles. Each data byte consists of 8 valid data bits and one ACK or NACK bit sent by the recipient. The data transmission is valid when SCL line is “high”.

When communication is completed, the host will issue the STOP condition. Stop condition implies the transition of SDA line from “low” to “high” when SCL line is “high”.

b) Writing Data to GT911

(For example: device address is 0xBA/0xBB)



Timing for Write Operation

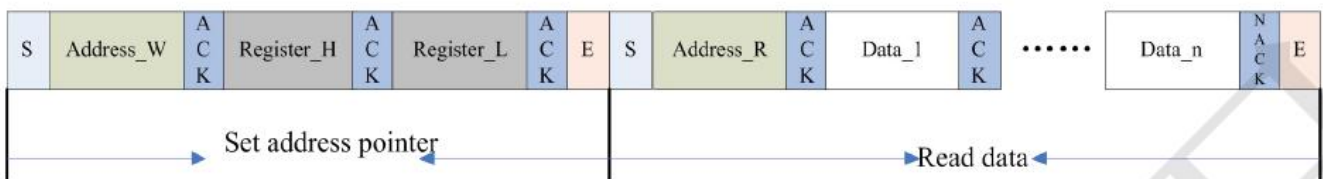
The diagram above displays the timing sequence of the host writing data onto GT911. First, the host issues a Start condition. Then, the host sends 0xBA (address bits and R/W bit; R/W bit as 0 indicates Write operation) to the slave device.

After receiving ACK, the host sends the 16-bit register address (where writing starts) and the 8-bit data bytes (to be written onto the register).

The location of the register address pointer will automatically add 1 after every Write Operation. Therefore, when the host needs to perform Write Operations on a group of registers of continuous addresses, it is able to write continuously. The Write Operation is terminated when the host issues the Stop condition.

c) Reading Data from GT911

(For example: device address is 0xBA/0xBB)



Timing for Read Operation

Part. No	KD050WVTPA045-02A-C003A	REV	V1.0	Page 25 of 38
	常备库存 Standing Stock	长期供货 Long Time supply	支持小量 NO MOQ	品种齐全 In Full Range

The diagram above is the timing sequence of the host reading data from GT911. First, the host issues a Start condition and sends 0XBA (address bits and R/W bit; R/W bit as 0 indicates Write operation) to the slave device.

After receiving ACK, the host sends the 16-bit register address (where reading starts) to the slave device. Then the host sets register addresses which need to be read.

Also after receiving ACK, the host issues the Start condition once again and sends 0XBB (Read Operation). After receiving ACK, the host starts to read data.

GT911 also supports continuous Read Operation and, by default, reads data continuously. Whenever receiving a byte of data, the host sends an ACK signal indicating successful reception. After receiving the last byte of data, the host sends a NACK signal followed by a STOP condition which terminates communication.



Part. No	KD050WVTPA045-02A-C003A	REV	V1.0	Page 26 of 38
	常备库存 Standing Stock	长期供货 Long Time supply	支持小量 NO MOQ	品种齐全 In Full Range

8. LCD Module Out-Going Quality Level

8.1 VISUAL & FUNCTION INSPECTION STANDARD

8.1.1 Inspection conditions

Inspection performed under the following conditions is recommended.

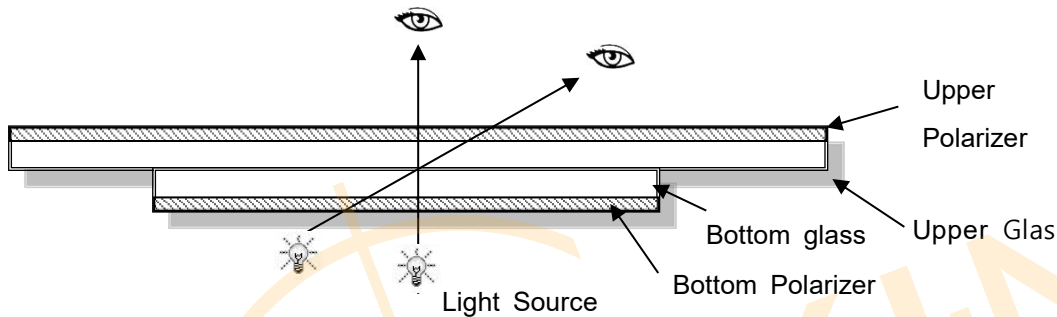
Temperature : $25\pm 5^{\circ}\text{C}$

Humidity : $65\%\pm 10\%\text{RH}$

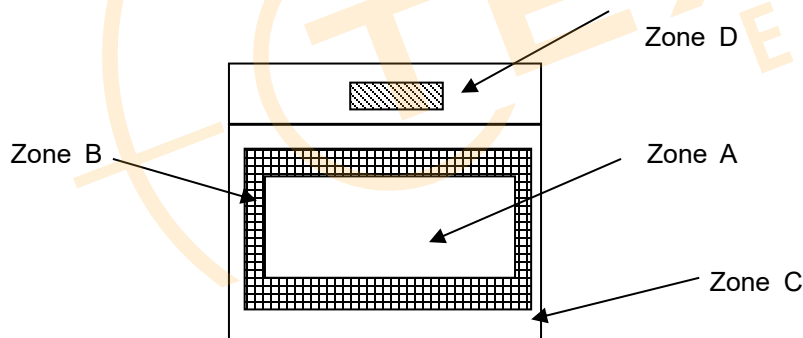
Viewing Angle : Normal viewing Angle.

Illumination: Single fluorescent lamp (300 to 700Lux)

Viewing distance:30-50cm



8.1.2 Definition



Zone A : Effective Viewing Area(Character or Digit can be seen)

Zone B : Viewing Area except Zone A

Zone C : Outside (Zone A+Zone B) which can not be seen after assembly by customer

Zone D : IC Bonding Area

Note:As a general rule ,visual defects in Zone C can be ignored when it doesn't effect product function or appearance after assembly by customer

Part. No	KD050WVTPA045-02A-C003A	REV	V1.0	Page 27 of 38
	常备库存 Standing Stock	长期供货 Long Time supply	支持小量 NO MOQ	品种齐全 In Full Range

8.1.3 Sampling Plan

According to GB/T 2828-2012 ; , normal inspection, Class II

AQL:

Major defect	Minor defect
0.65	1.5

LCD: Liquid Crystal Display , LCM: Liquid Crystal Module, CTP: Capacitive Touch Panel

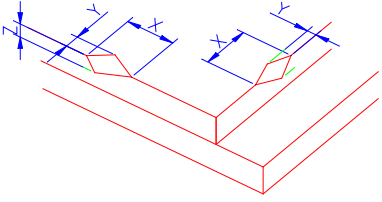
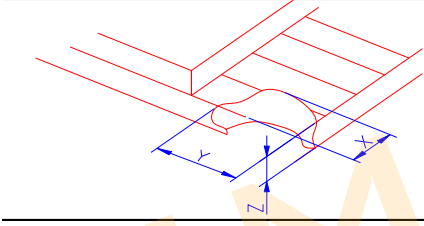
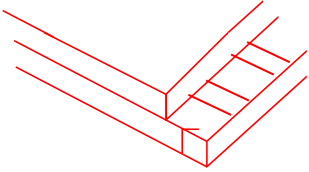
No	Items to be inspected	Criteria	Classification of defects
1	Functional defects	1) No display, Open or miss line 2) Display abnormally, Short 3) Backlight no lighting, abnormal lighting. etc	Major
2	Missing	Missing components and etc	
3	Outline dimension	Overall outline dimension beyond the drawing is not allowed, deformation and etc	
4	Color tone	Color unevenness, refer to limited sample	Minor
5	Spot/Line defect	Light dot, Dim spot, (Note1) Polarizer Air Bubble, Polarizer accidented spot and etc.	
6	Soldering appearance	Good soldering , Peeling off is not allowed and etc.	
7	LCD/Polarizer/CTP	Black/White spot/line, scratch, crack, etc.	

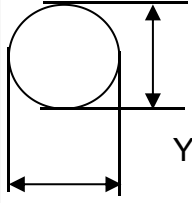
Note1: a) Light dot: Dots appear bright and unchanged in size in which LCD panel is displaying under black pattern.

b) Dim dot: Dots appear dark and unchanged in size in which LCD panel is displaying under pure red, green, blue picture.

Part. No	KD050WVTPA045-02A-C003A	REV	V1.0	Page 28 of 38
	常备库存 Standing Stock	长期供货 Long Time supply	支持小量 NO MOQ	品种齐全 In Full Range

8.1.4 Criteria (Visual)

Number	Items	Criteria(mm)						
1.0 LCD Crack/Broken NOTE: X: Length Y: Width Z: Height L: Length of IT O, T: Height of LCD	(1) The edge of LCD broken	 <table border="1" data-bbox="756 667 1453 815"> <thead> <tr> <th>X</th> <th>Y</th> <th>Z</th> </tr> </thead> <tbody> <tr> <td>≤3.0mm</td> <td><Inner border line of the seal</td> <td>≤T</td> </tr> </tbody> </table>	X	Y	Z	≤3.0mm	<Inner border line of the seal	≤T
X	Y	Z						
≤3.0mm	<Inner border line of the seal	≤T						
	(2) LCD corner broken	 <table border="1" data-bbox="836 1124 1374 1223"> <thead> <tr> <th>X</th> <th>Y</th> <th>Z</th> </tr> </thead> <tbody> <tr> <td>≤3.0mm</td> <td>≤L</td> <td>≤T</td> </tr> </tbody> </table>	X	Y	Z	≤3.0mm	≤L	≤T
X	Y	Z						
≤3.0mm	≤L	≤T						
	(3) LCD crack	 <p style="text-align: center;">Crack Not allowed</p>						

2.0	Spot defect	① light dot (black/white spot , pinhole, stain, etc.)					
					Acceptable Qty		
	$\Phi = (X+Y)/2$				A	B	C
	Ignore						
		② Dim spot (light leakage, dent, dark spot, etc)					
		Acceptable Qty					
		A	B	C			
Ignore		Ignore					
		③ Polarizer accidented spot					
		Acceptable Qty					
		A	B	C			
Ignore		Ignore					
		④ Polarizer Bubble					
		Acceptable Qty					
		A	B	C			
Ignore		Ignore					

3.0	LCD Pixel defect	Pixel bad points		
		Item	Zone A	Acceptable Qt
		Bright dot	Random	N≤2
			2 dots adjacent	N≤0
			3 dots adjacent	N≤0
		Dark dot	Random	N≤2
			2 dots adjacent	N≤0
3 dots adjacent	N≤0			
Distance	1. Minimum Distance Between Bright dots. 2. Minimum Distance Between dark dots 3. Minimum Distance Between dark and bright dot.	5mm		
Total bright and dark dot		N≤4		

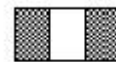
Note:

- A) Bright dot: Dots appear bright and unchanged in size in which LCD panel is displaying under black pattern.
- B) Dark dot: Dots appear dark and unchanged in size in which LCD panel is displaying under pure red, green, blue picture.
- C) 2 dot adjacent = 1 pair = 2 dots

Picture:



2 dot adjacent




2 dot adjacent



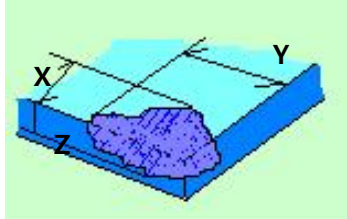
2 dot adjacent (vertical)

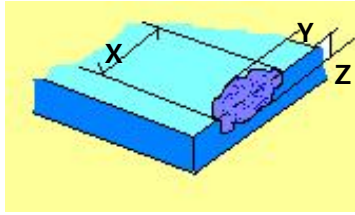


2 dot adjacent (slant)

4.0	Line defect (LCD /Polarizer backlight black/white line, scratch, stain)  W: width, L : length N : Count	<table border="1"> <thead> <tr> <th rowspan="2">Width(mm)</th> <th rowspan="2">Length(m)</th> <th colspan="3">Acceptable Qty</th> </tr> <tr> <th>A</th> <th>B</th> <th>C</th> </tr> </thead> <tbody> <tr> <td>$\Phi \leq 0.05$</td> <td>Ignore</td> <td colspan="2">Ignore</td> <td rowspan="3">Ignore</td> </tr> <tr> <td>$0.05 < W \leq 0.06$</td> <td>$L \leq 4.0$</td> <td colspan="2">$N \leq 3$</td> </tr> <tr> <td>$0.06 < W \leq 0.08$</td> <td>$L \leq 3.0$</td> <td colspan="2">$N \leq 2$</td> </tr> <tr> <td>$W > 0.08$</td> <td colspan="4">Define as spot defect</td> </tr> </tbody> </table>	Width(mm)	Length(m)	Acceptable Qty			A	B	C	$\Phi \leq 0.05$	Ignore	Ignore		Ignore	$0.05 < W \leq 0.06$	$L \leq 4.0$	$N \leq 3$		$0.06 < W \leq 0.08$	$L \leq 3.0$	$N \leq 2$		$W > 0.08$	Define as spot defect			
		Width(mm)			Length(m)	Acceptable Qty																						
			A	B		C																						
		$\Phi \leq 0.05$	Ignore	Ignore		Ignore																						
		$0.05 < W \leq 0.06$	$L \leq 4.0$	$N \leq 3$																								
$0.06 < W \leq 0.08$	$L \leq 3.0$	$N \leq 2$																										
$W > 0.08$	Define as spot defect																											
5.0	Electronic Components SMT.	Not allow missing parts, solderless connection, cold solder joint, mismatch, The positive and negative polarity opposite																										
6.0	Display color & Brightness.	1. Color: Measuring the color coordinates, The measurement standard according to the datasheet or samples. 2. Brightness: Measuring the brightness of White screen, The measurement standard according to the datasheet or Samples.																										
7.0	LCD Mura/Waving/Hot spot	Not visible through 5% ND filter in 50% gray or judge by limit sample if necessary.																										

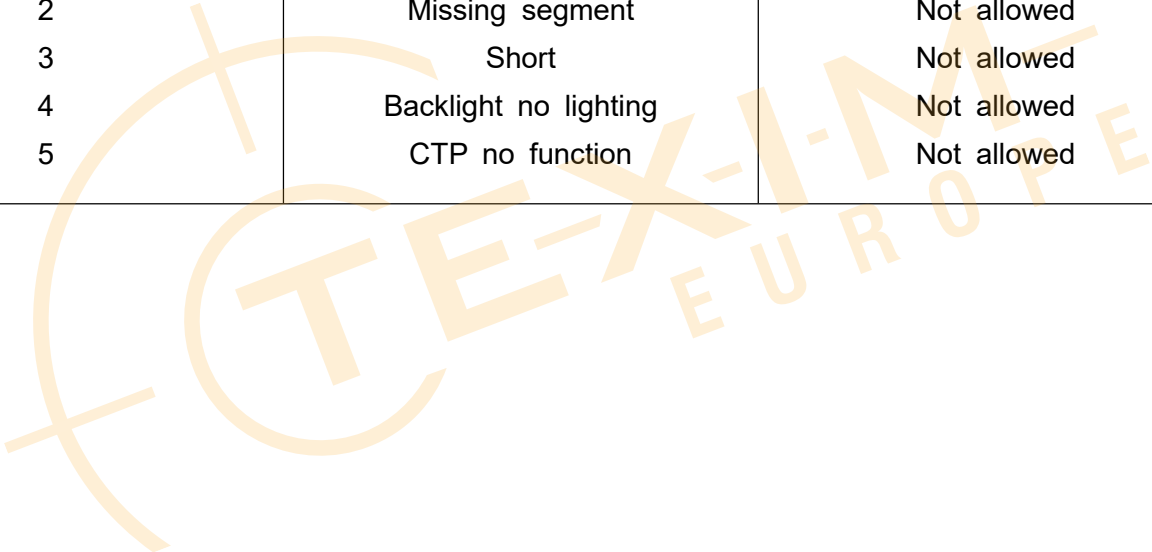
8.0	CTP Related	CTP Cover sensor accidented black/white spot	<table border="1"> <thead> <tr> <th rowspan="2">Size Φ(mm)</th> <th colspan="3">Acceptable Qty</th> </tr> <tr> <th>A</th> <th>B</th> <th>C</th> </tr> </thead> <tbody> <tr> <td>$\Phi \leq 0.1$</td> <td colspan="2">Ignore</td> <td rowspan="4">Ignore</td> </tr> <tr> <td>$0.1 < \Phi \leq 0.2$</td> <td colspan="2"></td> </tr> <tr> <td>$0.20 < \Phi \leq 0.25$</td> <td colspan="2"></td> </tr> <tr> <td>$\Phi > 0.25$</td> <td colspan="2">0</td> </tr> </tbody> </table>	Size Φ (mm)	Acceptable Qty			A	B	C	$\Phi \leq 0.1$	Ignore		Ignore	$0.1 < \Phi \leq 0.2$			$0.20 < \Phi \leq 0.25$			$\Phi > 0.25$	0	
			Size Φ (mm)		Acceptable Qty																		
				A	B	C																	
			$\Phi \leq 0.1$	Ignore		Ignore																	
			$0.1 < \Phi \leq 0.2$																				
$0.20 < \Phi \leq 0.25$																							
$\Phi > 0.25$	0																						

		CTP Cover scratch	<table border="1"> <tr> <th rowspan="2">Width(mm)</th> <th rowspan="2">Ignore (mm)</th> <th colspan="3">Acceptable Qty</th> </tr> <tr> <th>A</th> <th>B</th> <th>C</th> </tr> <tr> <td>$\Phi \leq 0.05$</td> <td>Ignore</td> <td colspan="3">Ignore</td> </tr> <tr> <td>$0.05 < W \leq 0.06$</td> <td>$L \leq 4.0$</td> <td colspan="3">$N \leq 3$</td> </tr> <tr> <td>$0.06 < W \leq 0.08$</td> <td>$L \leq 3.0$</td> <td colspan="3">$N \leq 2$</td> </tr> <tr> <td>$0.08 < W$</td> <td colspan="4">Define as spot defect</td> </tr> </table>	Width(mm)	Ignore (mm)	Acceptable Qty			A	B	C	$\Phi \leq 0.05$	Ignore	Ignore			$0.05 < W \leq 0.06$	$L \leq 4.0$	$N \leq 3$			$0.06 < W \leq 0.08$	$L \leq 3.0$	$N \leq 2$			$0.08 < W$	Define as spot defect			
			Width(mm)			Ignore (mm)	Acceptable Qty																								
				A	B		C																								
			$\Phi \leq 0.05$	Ignore	Ignore																										
			$0.05 < W \leq 0.06$	$L \leq 4.0$	$N \leq 3$																										
$0.06 < W \leq 0.08$	$L \leq 3.0$	$N \leq 2$																													
$0.08 < W$	Define as spot defect																														
CTP Cover Pinhole/ Lack of ink	<table border="1"> <tr> <th rowspan="2">Zone Size (mm)</th> <th>Acceptable Qty</th> </tr> <tr> <th>C</th> </tr> <tr> <td>$\Phi \leq 0.1$</td> <td>Ignore</td> </tr> <tr> <td>$0.1 < \Phi \leq 0.25$</td> <td>3(distance ≥ 10mm)</td> </tr> <tr> <td>$0.25 < \Phi \leq 0.3$</td> <td>2(distance ≥ 10mm)</td> </tr> <tr> <td>$\Phi > 0.3$</td> <td>0</td> </tr> </table>	Zone Size (mm)	Acceptable Qty	C	$\Phi \leq 0.1$	Ignore	$0.1 < \Phi \leq 0.25$	3(distance ≥ 10 mm)	$0.25 < \Phi \leq 0.3$	2(distance ≥ 10 mm)	$\Phi > 0.3$	0																			
	Zone Size (mm)		Acceptable Qty																												
		C																													
	$\Phi \leq 0.1$	Ignore																													
	$0.1 < \Phi \leq 0.25$	3(distance ≥ 10 mm)																													
$0.25 < \Phi \leq 0.3$	2(distance ≥ 10 mm)																														
$\Phi > 0.3$	0																														
CTP Bonding bubble/ accidented spot	<table border="1"> <tr> <th rowspan="2">Size Φ(mm)</th> <th colspan="2">Acceptable Qty</th> </tr> <tr> <th>A</th> <th>B</th> </tr> <tr> <td>$\Phi \leq 0.1$</td> <td colspan="2">Ignore</td> </tr> <tr> <td>$0.1 < \Phi \leq 0.2$</td> <td colspan="2">3(distance ≥ 10mm)</td> </tr> <tr> <td>$0.2 < \Phi \leq 0.25$</td> <td colspan="2">2(distance ≥ 10mm)</td> </tr> <tr> <td>$\Phi > 0.25$</td> <td colspan="2">0</td> </tr> </table>	Size Φ (mm)	Acceptable Qty		A	B	$\Phi \leq 0.1$	Ignore		$0.1 < \Phi \leq 0.2$	3(distance ≥ 10 mm)		$0.2 < \Phi \leq 0.25$	2(distance ≥ 10 mm)		$\Phi > 0.25$	0														
	Size Φ (mm)		Acceptable Qty																												
		A	B																												
	$\Phi \leq 0.1$	Ignore																													
	$0.1 < \Phi \leq 0.2$	3(distance ≥ 10 mm)																													
$0.2 < \Phi \leq 0.25$	2(distance ≥ 10 mm)																														
$\Phi > 0.25$	0																														
Assembly deflection	beyond the edge of backlight ≤ 0.2 mm																														
CTP cover broken X : length Y : width Z : height	<table border="1"> <tr> <th>X</th> <th>Y</th> <th>Z</th> </tr> <tr> <td>$X \leq 0.5$mm</td> <td>$Y \leq 0.5$mm</td> <td>$Z < \text{cover thickness}$</td> </tr> </table> <p>* Circuitry broken is not allowed.</p>	X	Y	Z	$X \leq 0.5$ mm	$Y \leq 0.5$ mm	$Z < \text{cover thickness}$																								
X	Y	Z																													
$X \leq 0.5$ mm	$Y \leq 0.5$ mm	$Z < \text{cover thickness}$																													

	CTP cover broken	X	Y	Z	
		X≤0.3mm	Y≤0.3mm	Z<cover thickness	
	X : length	* Circuitry broken is not allowed.			
	Y : width				
	Z : height				

Criteria (functional items)

Number	Items	Criteria (mm)
1	No display	Not allowed
2	Missing segment	Not allowed
3	Short	Not allowed
4	Backlight no lighting	Not allowed
5	CTP no function	Not allowed



Part. No	KD050WVTPA045-02A-C003A	REV	V1.0	Page 34 of 38
	常备库存 Standing Stock	长期供货 Long Time supply	支持小量 NO MOQ	品种齐全 In Full Range

9. Reliability Test Result

9.1 Condition

Item	Condition	Inspection after test
High Temperature Operating	70°C,96H	Inspection after 2~4hours storage at room temperature, the sample shall be free from defects: 1.Air bubble in the LCD; 2.Non-display; 3.Missing segments/line; 4.Glass crack; 5.Current IDD is twice higher than initial value.
Low Temperature Operating	-20°C, 96HR	
High Temperature Storage	80°C, 96HR	
Low Temperature Storage	-30°C, 96HR	
High Temperature & High Humidity Operating	+60°C, 90% RH ,96 hours.	
Thermal Shock (Non-operation)	-10°C,30 min ↔ 60°C,30 min, Change time:5min 20CYC.	
ESD test	C=150pF, R=330,5points/panel Air:±8KV, 5times; Contact:±6KV, 5 times; (Environment: 15°C~35°C, 30%~60%).	
	Frequency range:10~55Hz, Stroke:1.5mm Sweep:10Hz~55Hz~10Hz 2 hours for each direction of X.Y.Z. (6 hours for total) (Package condition).	
Box Drop Test	1 Corner 3 Edges 6 faces,80cm(MEDIUM BOX)	

Remark:

- 1.The test samples should be applied to only one test item.
- 2.Sample size for each test item is 5~10pcs.
- 3.For Damp Proof Test, Pure water(Resistance > 10MΩ) should be used.

Part. No	KD050WVTPA045-02A-C003A	REV	V1.0	Page 35 of 38
	常备库存 Standing Stock	长期供货 Long Time supply	支持小量 NO MOQ	品种齐全 In Full Range

4. In case of malfunction defect caused by ESD damage, if it would be recovered to normal state after resetting, it would be judged as a good part.

5. Failure Judgment Criterion: Basic Specification, Electrical Characteristic, Mechanical Characteristic, Optical Characteristic.

10. Cautions and Handling Precautions

10.1 Handling and Operating the Module

- (1) When the module is assembled, it should be attached to the system firmly.
Do not warp or twist the module during assembly work.
- (2) Protect the module from physical shock or any force. In addition to damage, this may cause improper operation or damage to the module and back-light unit.
- (3) Note that polarizer is very fragile and could be easily damaged. Do not press or scratch the surface.
- (4) Do not allow drops of water or chemicals to remain on the display surface.
If you have the droplets for a long time, staining and discoloration may occur.
- (5) If the surface of the polarizer is dirty, clean it using some absorbent cotton or soft cloth.
- (6) The desirable cleaners are water, IPA (Isopropyl Alcohol) or Hexane.
Do not use ketene type materials (ex. Acetone), Ethyl alcohol, Toluene, Ethyl acid or Methyl chloride. It might permanent damage to the polarizer due to chemical reaction.
- (7) If the liquid crystal material leaks from the panel, it should be kept away from the eyes or mouth. In case of contact with hands, legs, or clothes, it must be washed away thoroughly with soap.
- (8) Protect the module from static; it may cause damage to the CMOS ICs.
- (9) Use finger-stalls with soft gloves in order to keep display clean during the incoming inspection and assembly process.
- (10) Do not disassemble the module.
- (11) Protection film for polarizer on the module shall be slowly peeled off just before use so that the electrostatic charge can be minimized.
- (12) Pins of I/F connector shall not be touched directly with bare hands.
- (13) Do not connect, disconnect the module in the "Power ON" condition.
- (14) Power supply should always be turned on/off by the item 6.1 Power On Sequence & 6.2 Power Off Sequence

Part. No	KD050WVTPA045-02A-C003A	REV	V1.0	Page 36 of 38
	常备库存 Standing Stock	长期供货 Long Time supply	支持小量 NO MOQ	品种齐全 In Full Range

10.2 Storage and Transportation.

(1) Do not leave the panel in high temperature, and high humidity for a long time.

It is highly recommended to store the module with temperature from 0 to 35 °C and relative humidity of less than 70%

(2) Do not store the TFT-LCD module in direct sunlight.

(3) The module shall be stored in a dark place. When storing the modules for a long time, be sure to adopt effective measures for protecting the modules from strong ultraviolet radiation, sunlight, or fluorescent light.

(4) It is recommended that the modules should be stored under a condition where no condensation is allowed. Formation of dewdrops may cause an abnormal operation or a failure of the module.

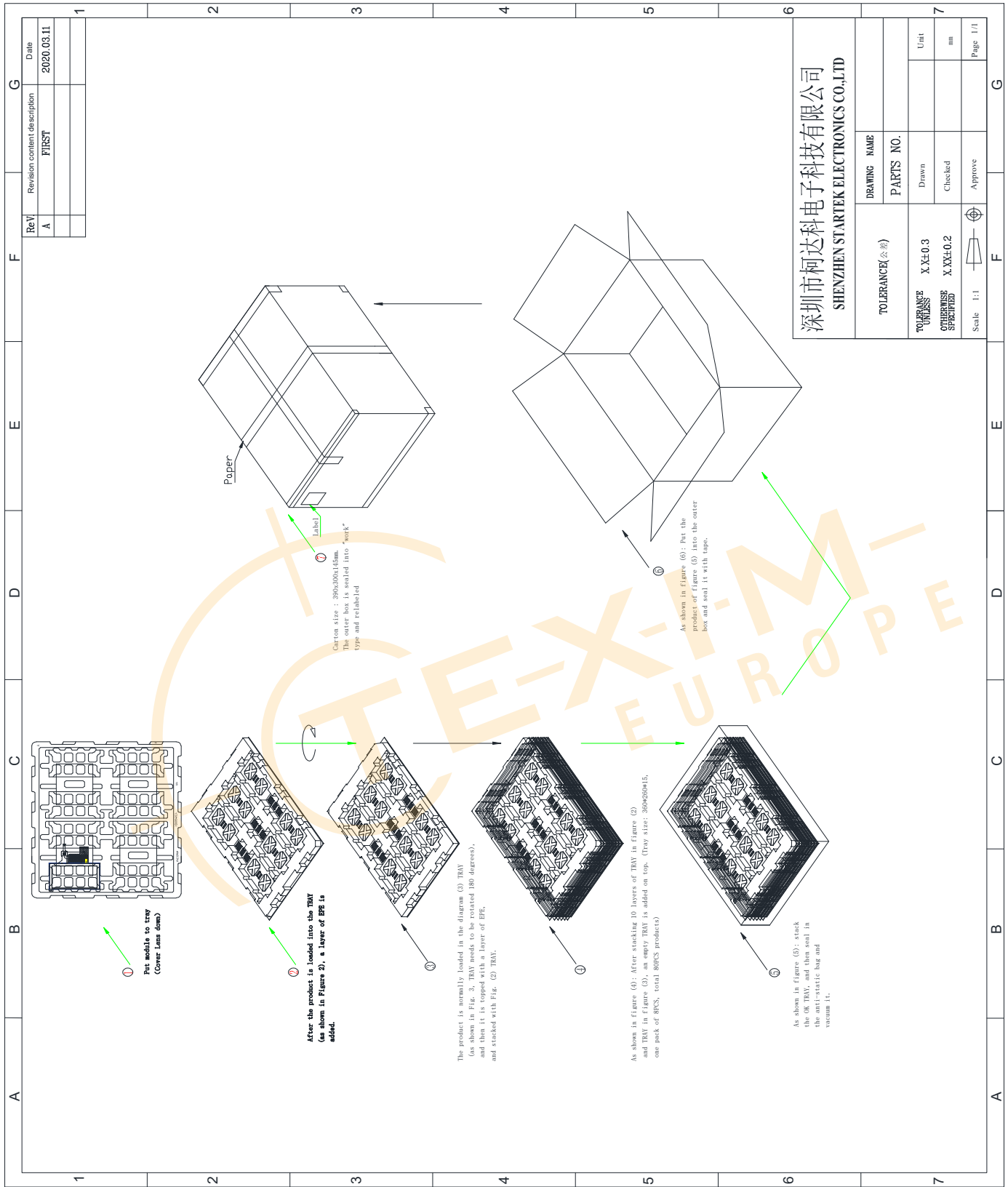
In particular, the greatest possible care should be taken to prevent any module from being operated where condensation has occurred inside.

(5) This panel has its circuitry FPC on the bottom side and should be handled carefully in order not to be stressed.



Part. No	KD050WVTPA045-02A-C003A	REV	V1.0	Page 37 of 38
	常备库存 Standing Stock	长期供货 Long Time supply	支持小量 NO MOQ	品种齐全 In Full Range

11. Packing



Part. No	KD050WVTPA045-02A-C003A	REV	V1.0	Page 38 of 38
	常备库存 Standing Stock	长期供货 Long Time supply	支持小量 NO MOQ	品种齐全 In Full Range

Disclaimer

ALL PRODUCTS, PRODUCT SPECIFICATIONS AND DATA ARE SUBJECT TO CHANGE WITHOUT NOTICE TO IMPROVE RELIABILITY, FUNCTION OR DESIGN OR OTHERWISE.

Texim Europe B.V. its affiliates, agents, and employees, and all persons acting on its or their behalf (collectively, "Texim"), disclaim any and all liability for any errors, inaccuracies or incompleteness contained in any datasheet or in any other disclosure relating to any product.

Texim makes no warranty, representation or guarantee regarding the suitability of the products for any particular purpose or the continuing production of any product.

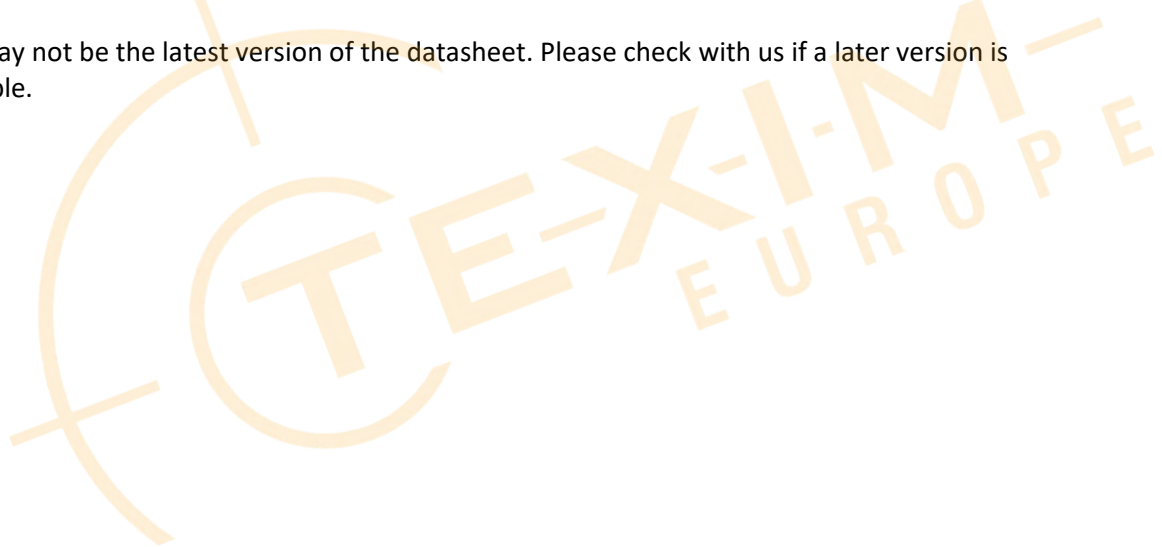
It is the customer's responsibility to validate that a particular product with the properties described in the product specification is suitable for use in a particular application.

Parameters provided in datasheets and / or specifications may vary in different applications and performance may vary over time.

All operating parameters, including typical parameters, must be validated for each customer application by the customer's technical experts.

Please contact us if you have any questions about the contents of the datasheet.

This may not be the latest version of the datasheet. Please check with us if a later version is available.





Headquarters & Warehouse

Elektrostraat 17
 NL-7483 PG Haaksbergen
 The Netherlands

T: +31 (0)53 573 33 33
 E: info@texim-europe.com
 Homepage: www.texim-europe.com



The Netherlands

Elektrostraat 17
 NL-7483 PG Haaksbergen

T: +31 (0)53 573 33 33
 E: nl@texim-europe.com



Belgium

Zuiderlaan 14, box 10
 B-1731 Zellik

T: +32 (0)2 462 01 00
 E: belgium@texim-europe.com



UK & Ireland

St Mary's House, Church Lane
 Carlton Le Moorland
 Lincoln LN5 9HS

T: +44 (0)1522 789 555
 E: uk@texim-europe.com



Germany

Bahnhofstrasse 92
 D-25451 Quickborn

T: +49 (0)4106 627 07-0
 E: germany@texim-europe.com



Germany

Martin-Kollar-Strasse 9
 D-81829 München

T: +49 (0)89 436 086-0
 E: muenchen@texim-europe.com



Austria

Martin-Kollar-Strasse 9
 D-81829 München

T: +49 (0)89 436 086-0
 E: austria@texim-europe.com



Nordic

Stockholmsgade 45
 2100 Copenhagen

T: +45 88 20 26 30
 E: nordic@texim-europe.com



Italy

Martin-Kollar-Strasse 9
 D-81829 München

T: +49 (0)89 436 086-0
 E: italy@texim-europe.com