



<h1 style="margin: 0;">SPECIFICATION</h1> <h2 style="margin: 0;">FOR</h2> <h3 style="margin: 0;">LCM Module</h3>
--

MODULE No:	KD035LQTMU184A
CUSTOMER:	

STARTEK	INITIAL	DATE
PREPARED BY	<div style="border: 1px solid blue; padding: 5px; width: fit-content; margin: 0 auto;"> Distributed by:  www.texim-europe.com </div>	
CHECKED BY		
APPROVED BY		

CUSTOMER	INITIAL	DATE
APPROVED BY		

Part. No	KD035LQTMU184A	REV	V1.1	Page 1 of 27
常备库存 Stock For Sale	长期供货 Long Time supply	支持小量 NO MOQ	品种齐全 In Full Range	

Contents

1. Block Diagram.....	5
2. Outline dimension.....	6
3. Input terminal Pin Assignment.....	7
4. LCD Optical Characteristics.....	9
4.1 Optical specification.....	9
5. Electrical Characteristics.....	12
5.1 Absolute Maximum Rating.....	12
5.2 DC Electrical Characteristics.....	12
5.3 LED Backlight Characteristics.....	13
6. AC Characteristics.....	15
6.1 8080 Series MCU Parallel Interface Characteristics: 16/8-bit Bus.....	15
6.2 Reset timing.....	17
7. LCD Module Out-Going Quality Level.....	19
7.1 VISUAL & FUNCTION INSPECTION STANDARD.....	19
7.1.1 Inspection conditions.....	19
7.1.2 Definition.....	19
7.1.3 Sampling Plan.....	20
7.1.4 Criteria (Visual).....	21
8. Reliability Test Result.....	25
9. Cautions and Handling Precautions.....	26
9.1 Handling and Operating the Module.....	26
9.2 Storage and Transportation.....	26
10. Packing.....	27

Part. No	KD035LQTMU184A	REV	V1.1	Page 3 of 27
常备库存 Stock For Sale	长期供货 Long Time supply	支持小量 NO MOQ	品种齐全 In Full Range	

* Description

This is a color active matrix TFT (Thin Film Transistor) LCD (liquid crystal display) that uses amorphous silicon TFT as a switching device. This module is composed of a Transmissive type TFT-LCD Panel, driver circuit, back-light unit. The resolution of a 3.5" TFT-LCD contains 320x240 pixels, and can display up to 65K colors.

* Features

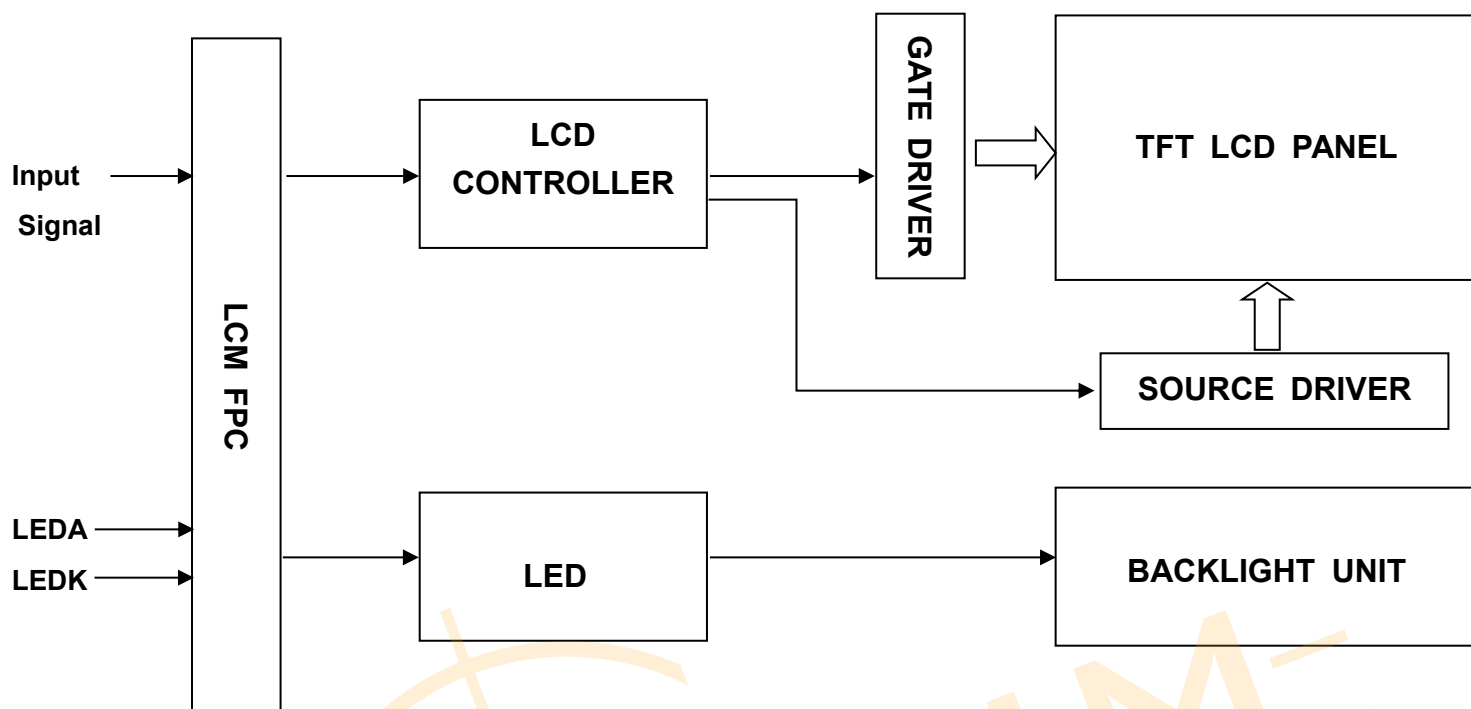
General Information Items	Specification	Unit	Note
	Main Panel		
Display area(AA)	70.08(H)*52.56(V) (3.5 inch)	mm	
Driver element	TFT active matrix	-	
Display colors	65K	colors	
Number of pixels	320(RGB)*240	dots	
Pixel arrangement	RGB vertical stripe	-	
Pixel pitch	0.219(H)*0.219(V)	mm	
Viewing angle	12:00	o'clock	
Gray Scale Inversion Direction	6:00	o'clock	
Controller IC	ST7796	-	
LCM Interface	8/16 BIT MCU	-	
Display mode	Transmissive /Normally White	-	
Operating temperature	-20~+70	°C	
Storage temperature	-30~+80	°C	

* Mechanical Information

Item		Min.	Typ.	Max.	Unit	Note
Module size	Horizontal(H)	-	78.1	-	mm	
	Vertical(V)	-	64.9	-	mm	
	Depth(D)	-	3.35	-	mm	
Weight		-	TBD	-	g	

Part. No	KD035LQTMU184A	REV	V1.1	Page 4 of 27
常备库存 Stock For Sale	长期供货 Long Time supply	支持小量 NO MOQ	品种齐全 In Full Range	

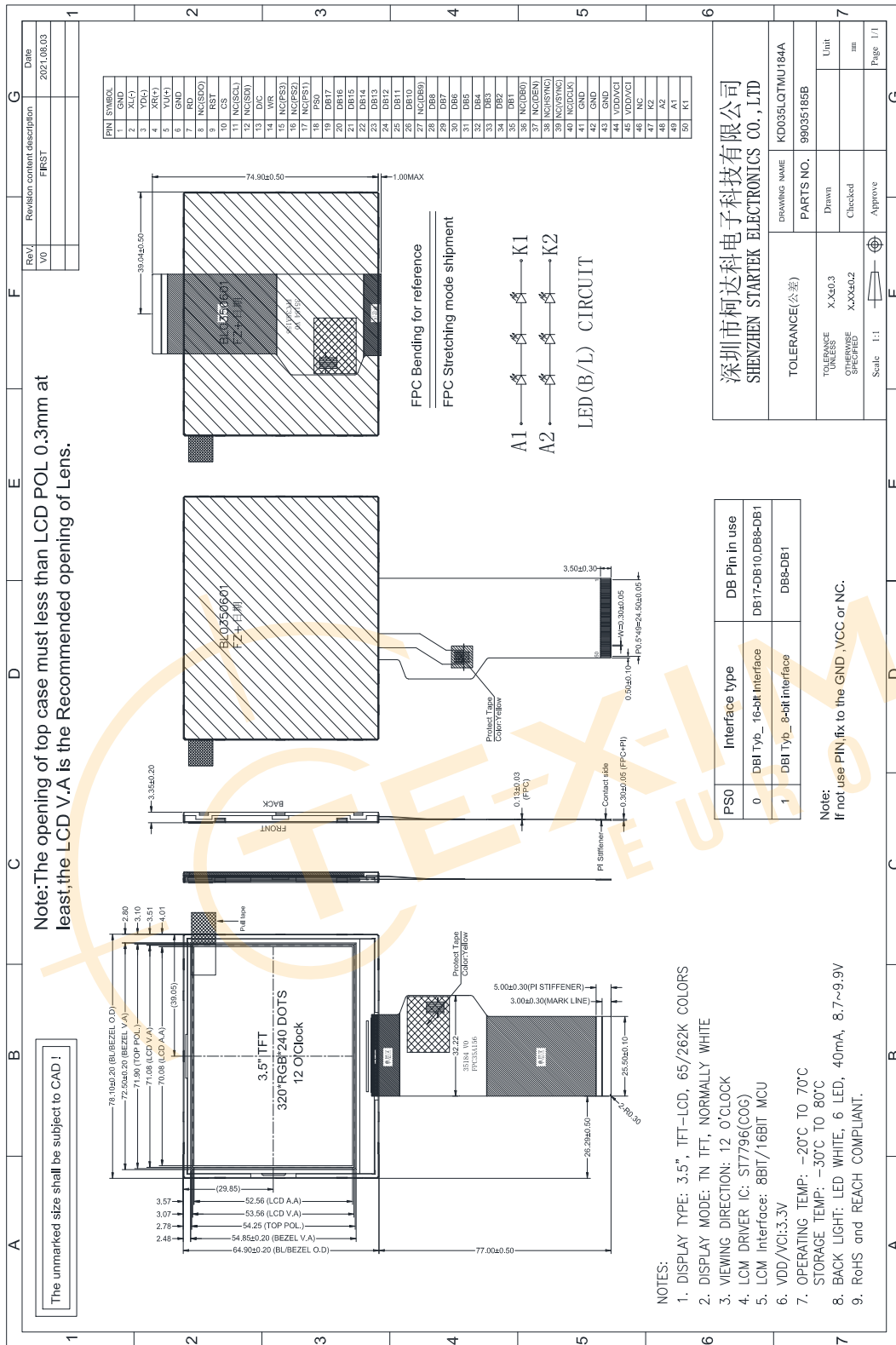
1. Block Diagram



Part. No	KD035LQTMU184A	REV	V1.1	Page 5 of 27
常备库存 Stock For Sale	长期供货 Long Time supply	支持小量 NO MOQ	品种齐全 In Full Range	



2. Outline dimension



Part. No	KD035LQTMU184A	REV	V1.1	Page 6 of 27
常备库存 Stock For Sale	长期供货 Long Time supply	支持小量 NO MOQ	品种齐全 In Full Range	

3. Input terminal Pin Assignment

NO.	SYMBOL	DISCRIPTION	I/O
1	GND	Ground	P
2	XL(-)/NC	Not Connected	--
3	YD(-)/NC	Not Connected	--
4	XR(+)/NC	Not Connected	--
5	YU(+)/NC	Not Connected	--
6	GND	Ground	P
7	RD	8080-system : RD (read strobe signal)	I
8	NC(SDO)	Not Connected	--
9	RST	System reset pin.	I
10	CS	Chip select pin for 8080 Parallel Interface	I
11	NC(SCL)	Not Connected	--
12	NC(SDI)	Not Connected	--
13	D/C	Data or command DC : Parallel Interface	I
14	WR	8080-system : WR (write strobe signal)	I
15	NC(PS3)	Not Connected	--
16	NC(PS2)	Not Connected	--
17	NC(PS1)	Not Connected	--
18	PS0	The selection of System Interface	I
19-26	DB17-DB10	8-bit parallel bi-directional data bus for MCU system Fix to GND level when not in use	I/O
27	NC(DB9)	Not Connected	--
28-35	DB8-DB1	8-bit parallel bi-directional data bus for MCU system Fix to GND level when not in use	I/O
36	NC(DB0)	Not Connected	--
37	NC(DEN)	Not Connected	--
38	NC(HSYNC)	Not Connected	--
39	NC(VSYNC)	Not Connected	--
40	NC(DCLK)	Not Connected	--
41	GND	Ground	P
42	GND	Ground	P
43	GND	Ground	P

Part. No	KD035LQTMU184A	REV	V1.1	Page 7 of 27
常备库存 Stock For Sale	长期供货 Long Time supply	支持小量 NO MOQ	品种齐全 In Full Range	



SHENZHEN **STARTEK** ELECTRONIC TECHNOLOGY CO., LTD

44	VDD/VCI	Booster input voltage pin.	P
45	VDD/VCI	Connect to voltage source between 2.5V to 3.6V	
46	NC	Not Connected	--
47	K2	Cathode pin of backlight	A/D
48	A2	Anode pin of backlight	A/D
49	A1	Anode pin of backlight	A/D
50	K1	Cathode pin of backlight	A/D



Part. No	KD035LQTMU184A	REV	V1.1	Page 8 of 27
常备库存 Stock For Sale	长期供货 Long Time supply	支持小量 NO MOQ	品种齐全 In Full Range	

4. LCD Optical Characteristics

4.1 Optical specification

Item	Symbol	Condition	Min.	Typ.	Max.	Unit.	Note
Contrast Ratio	CR	$\Theta=0$	600	800	--		(1)(2)
Response time	Rising	T_{R+T_F}	--	25	50	msec	(1)(3)
	Falling						
Color Gamut	S(%)		50	56	--	%	
Color Filter Chromaticity	White	W_X	0.2295	0.2695	0.3095		(1)(4) CA-310
		W_Y	0.2578	0.2978	0.3378		
	Red	R_X	0.5560	0.5960	0.6360		
		R_Y	0.3193	0.3593	0.3993		
	Green	G_X	0.2802	0.3202	0.3602		
		G_Y	0.5450	0.5850	0.6250		
	Blue	B_X	0.1132	0.1532	0.1932		
		B_Y	0.0392	0.0792	0.1192		
Viewing angle	Hor.	Θ_L	--	60	--		(1)(4)
		Θ_R	--	60	--		
	Ver.	Θ_U	--	50	--		
		Θ_D	--	60	--		
Option View Direction	12:00 o'clock						

*The data comes from the LCD specification.

Measuring Condition

Measuring surrounding : dark room

Ambient temperature : $25 \pm 2^\circ\text{C}$

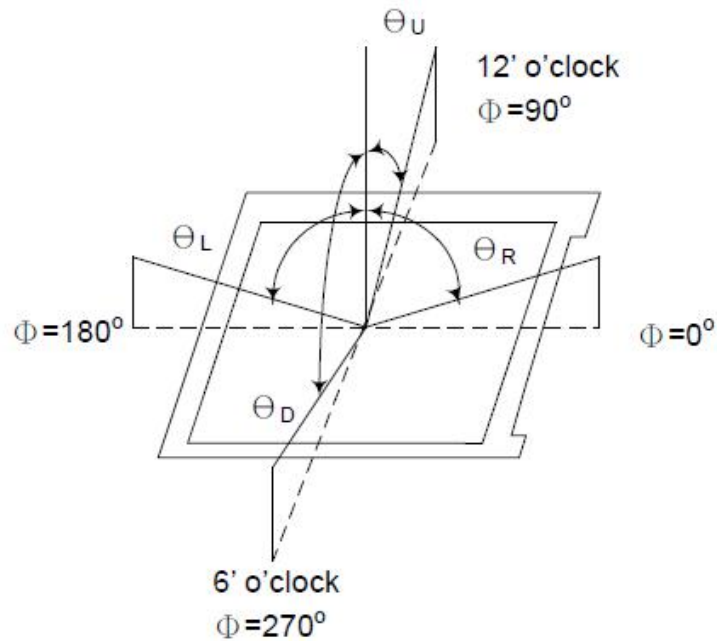
15min. warm-up time.

Measuring Equipment

FPM520 of Westar Display technologies, INC., which utilized SR-3 for Chromaticity and BM-5A for other optical characteristics.

Part. No	KD035LQTMU184A	REV	V1.1	Page 9 of 27
常备库存 Stock For Sale	长期供货 Long Time supply	支持小量 NO MOQ	品种齐全 In Full Range	

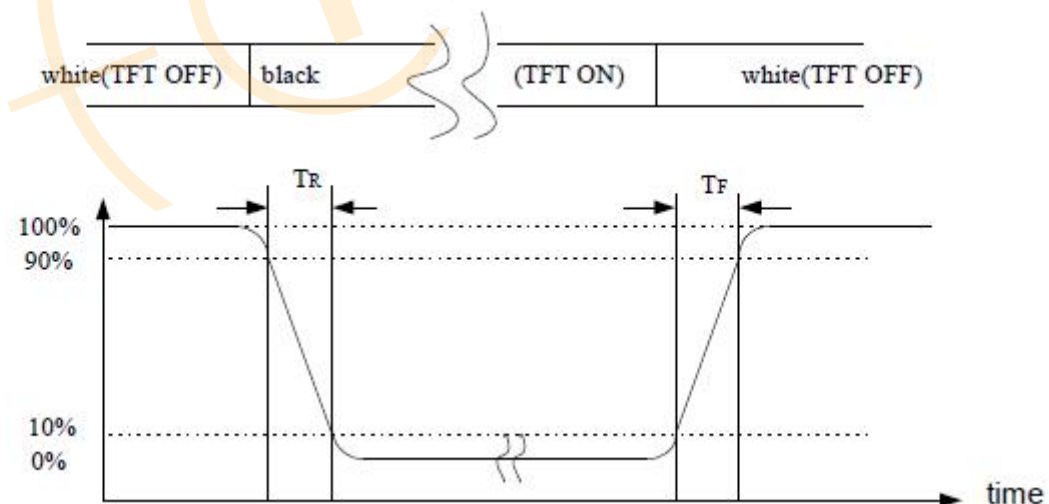
Note (1): Definition of Viewing Angle :



Note (2): Definition of Contrast Ratio(CR) :measured at the center point of panel

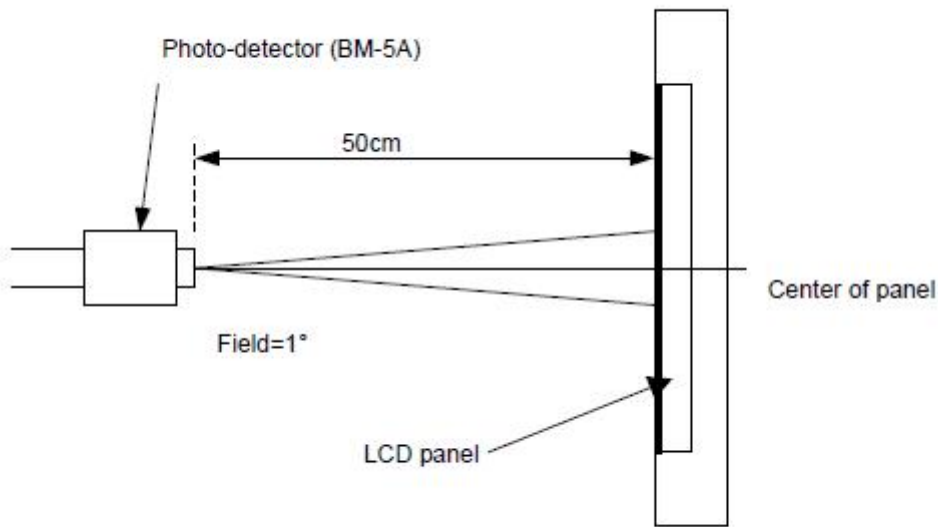
$$CR = \frac{\text{Luminance with all pixels white}}{\text{Luminance with all pixels black}}$$

Note (3): Response Time



Part. No	KD035LQTMU184A	REV	V1.1	Page 10 of 27
常备库存 Stock For Sale	长期供货 Long Time supply	支持小量 NO MOQ	品种齐全 In Full Range	

Note (4): Definition of optical measurement setup



Part. No	KD035LQTMU184A	REV	V1.1	Page 11 of 27
常备库存 Stock For Sale	长期供货 Long Time supply	支持小量 NO MOQ	品种齐全 In Full Range	

5. Electrical Characteristics

5.1 Absolute Maximum Rating

Characteristics	Symbol	Min.	Max.	Unit	Note
Digital Supply Voltage	V _{CI}	-0.3	+4.6	V	Note1
Operating temperature	T _{OP}	-20	+70	°C	
Storage temperature	T _{ST}	-30	+80	°C	

NOTE1: If the absolute maximum rating of even is one of the above parameters is exceeded even momentarily, the quality of the product may be degraded. Absolute maximum ratings, therefore, specify the values exceeding which the product may be physically damaged. Be sure to use the product within the range of the absolute maximum ratings.

5.2 DC Electrical Characteristics

Characteristics	Symbol	Min.	Typ.	Max.	Unit	Note
Digital Supply Voltage	V _{CI}	2.5	3.3	3.6	V	
Normal mode Current consumption	I _{DD}	--	10	20	mA	
Level input voltage	V _{IH}	0.7*V _{CI}	--	V _{CI}	V	
	V _{IL}	GND	--	0.3*V _{CI}	V	
Level output voltage	V _{OH}	0.8*V _{CI}	--	V _{CI}	V	
	V _{OL}	GND	--	0.2*V _{CI}	V	

Part. No	KD035LQTMU184A	REV	V1.1	Page 12 of 27
常备库存 Stock For Sale	长期供货 Long Time supply	支持小量 NO MOQ	品种齐全 In Full Range	

5.3 LED Backlight Characteristics

The back-light system is edge-lighting type with 6 chips LED

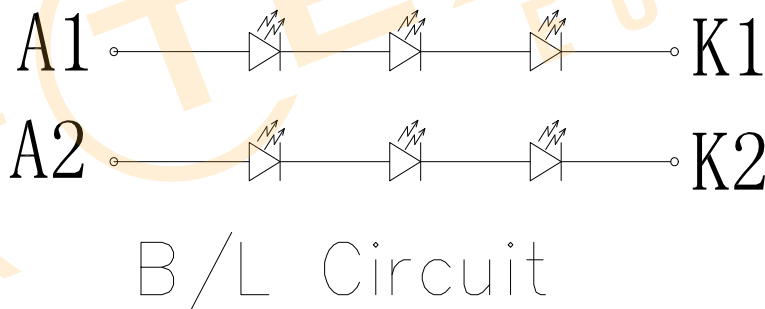
Item	Symbol	Min.	Typ.	Max.	Unit	Note
Forward Current	I_F	30	40	--	mA	
Forward Voltage	V_F	8.7	9.6	9.9	V	
LCM Luminance	L_v	320	370	--	cd/m ²	Note3
LED life time	Hr	50000	--	--	Hour	Note1,2
Uniformity	Avg	80	--	--	%	Note3

Note1: LED life time (Hr) can be defined as the time in which it continues to operate under the condition:

$T_a=25\pm3$ °C, typical IL value indicated in the above table until the brightness becomes less than 50%.

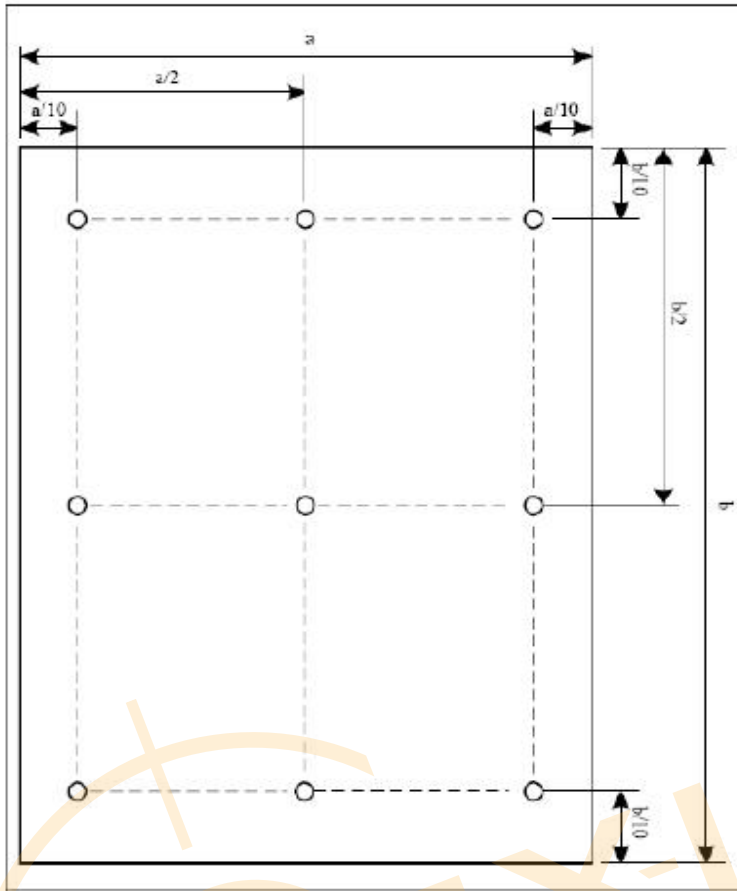
Note 2: The “LED life time” is defined as the module brightness decrease to 50% original brightness at

$T_a=25$ °C and $I_L=40$ mA. The LED lifetime could be decreased if operating I_L is larger than 40mA. The constant current driving method is suggested.



Part. No	KD035LQTMU184A	REV	V1.1	Page 13 of 27
常备库存 Stock For Sale	长期供货 Long Time supply	支持小量 NO MOQ	品种齐全 In Full Range	

Note (3) Luminance Uniformity of these 9 points is defined as below:



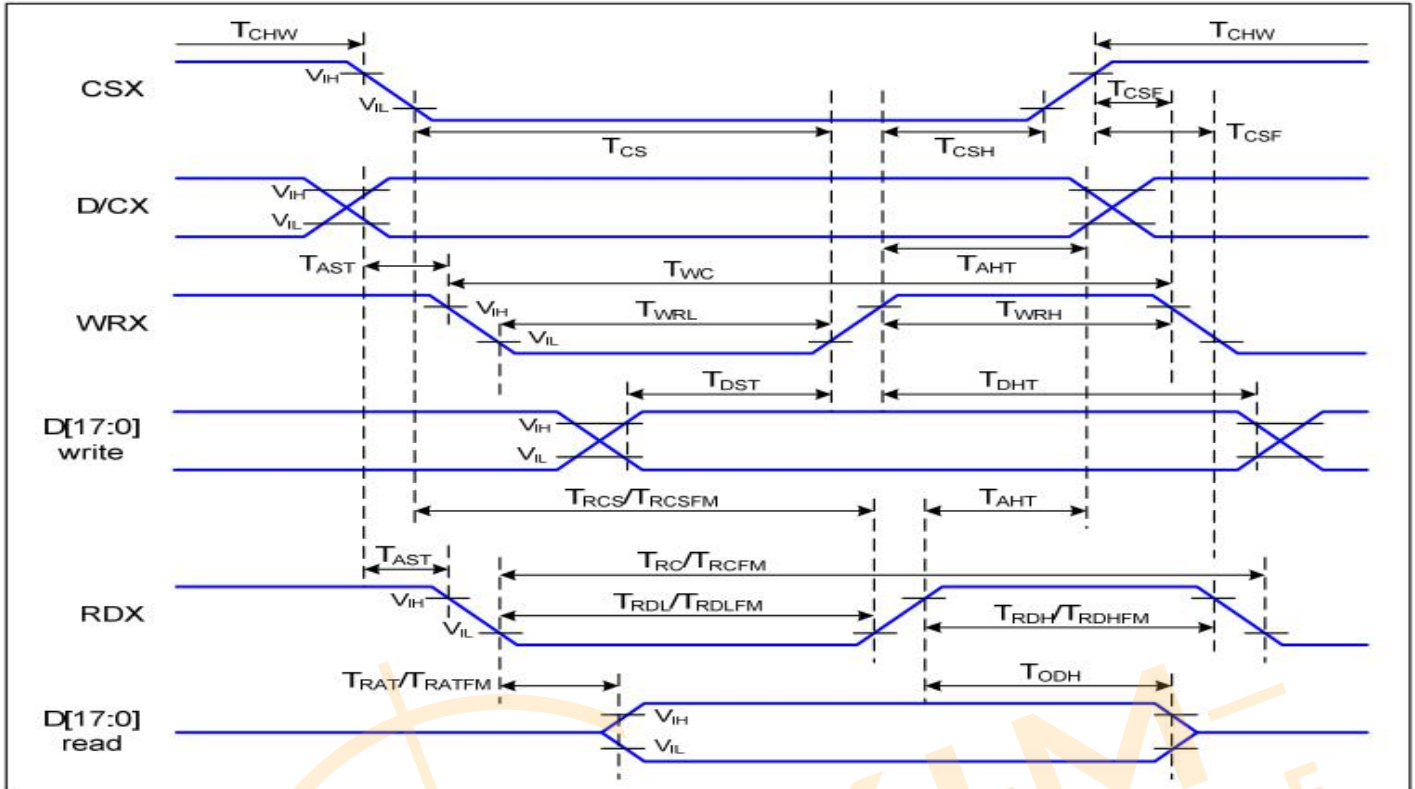
$$\text{Uniformity} = \frac{\text{minimum luminance in 9 points (1-9)}}{\text{maximum luminance in 9 points (1-9)}}$$

$$\text{Luminance} = \frac{\text{Total Luminance of 9 points}}{9}$$

Part. No	KD035LQTMU184A	REV	V1.1	Page 14 of 27
常备库存 Stock For Sale	长期供货 Long Time supply	支持小量 NO MOQ	品种齐全 In Full Range	

6. AC Characteristics

6.1 8080 Series MCU Parallel Interface Characteristics: 16/8-bit Bus



Parallel Interface Timing Characteristics (8080-Series MCU Interface)

$V_{DDI}=1.8V, V_{DDA}=2.8V, AGND=DGND=0V, T_a=25\text{ }^{\circ}\text{C}$

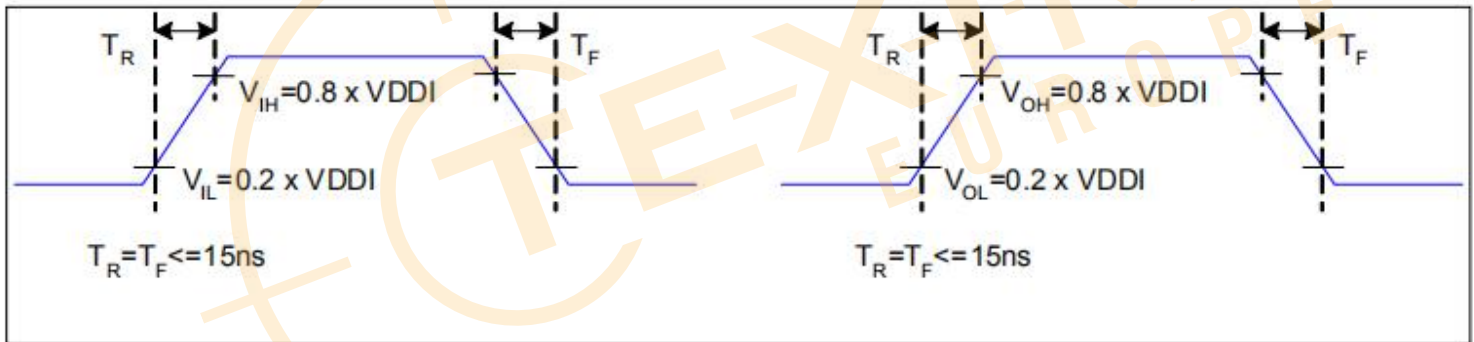
Signal	Symbol	Parameter	Min	Max	Unit	Description
D/CX	T_{AST}	Address setup time	0		ns	-
	T_{AHT}	Address hold time (Write/Read)	10		ns	
CSX	T_{CHW}	Chip select "H" pulse width	0		ns	-
	T_{CS}	Chip select setup time (Write)	15		ns	
	T_{RCS}	Chip select setup time (Read ID)	45		ns	
	T_{RCSFM}	Chip select setup time (Read FM)	355		ns	
	T_{CSF}	Chip select wait time (Write/Read)	10		ns	
	T_{CSH}	Chip select hold time	10		ns	
WRX	T_{WC}	Write cycle	66		ns	-
	T_{WRH}	Control pulse "H" duration	15		ns	

Part. No	KD035LQTMU184A	REV	V1.1	Page 15 of 27
常备库存 Stock For Sale	长期供货 Long Time supply	支持小量 NO MOQ	品种齐全 In Full Range	



	T_{WRL}	Control pulse "L" duration	15		ns	
RDX (ID)	T_{RC}	Read cycle (ID)	160		ns	When read ID data
	T_{RDH}	Control pulse "H" duration (ID)	90		ns	
	T_{RDL}	Control pulse "L" duration (ID)	45		ns	
RDX (FM)	T_{RCFM}	Read cycle (FM)	450		ns	When read from frame memory
	T_{RDHFM}	Control pulse "H" duration (FM)	90		ns	
	T_{RDLFM}	Control pulse "L" duration (FM)	355		ns	
D[17:0]	T_{DST}	Data setup time	10		ns	For CL=30pF
	T_{DHT}	Data hold time	10		ns	
	T_{RAT}	Read access time (ID)	-	40	ns	
	T_{RATFM}	Read access time (FM)	-	340	ns	
	T_{ODH}	Output disable time	20	80	ns	

8080 Parallel Interface Characteristics

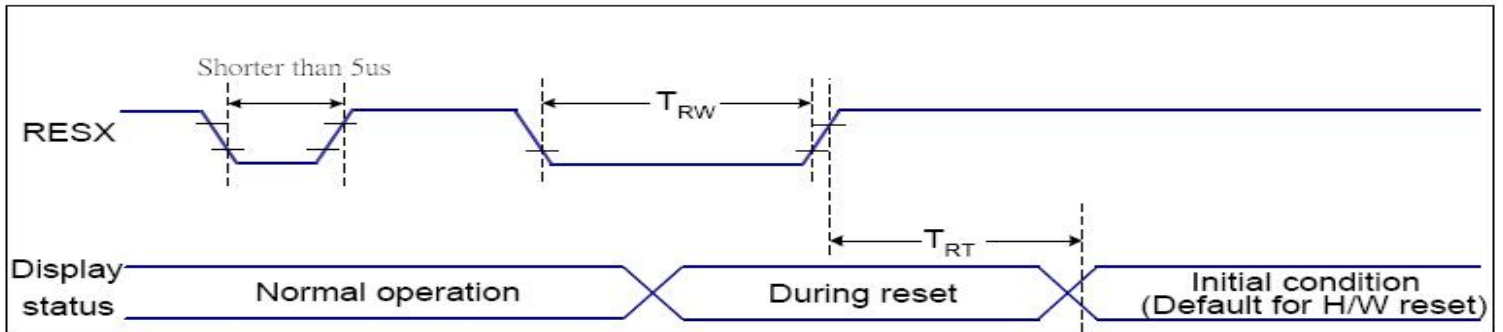


Rising and Falling Timing for I/O Signal

Note: The rising time and falling time (T_r , T_f) of input signal and fall time are specified at 15 ns or less. Logic high and low levels are specified as 20% and 80% of VDDI for Input signals.

Part. No	KD035LQTMU184A	REV	V1.1	Page 16 of 27
常备库存 Stock For Sale	长期供货 Long Time supply	支持小量 NO MOQ	品种齐全 In Full Range	

6.2 Reset timing



$V_{DD1}=1.65$ to $3.3V$, $V_{DD}=2.4$ to $3.3V$, $AGND=DGND=0V$, $T_a=-30 \sim 70 \text{ } ^\circ\text{C}$

Related Pins	Symbol	Parameter	MIN	MAX	Unit
RESX	TRW	Reset pulse duration	10	-	us
	TRT	Reset cancel	-	5 (Note 1, 5)	ms
				120 (Note 1, 6, 7)	ms

Notes:

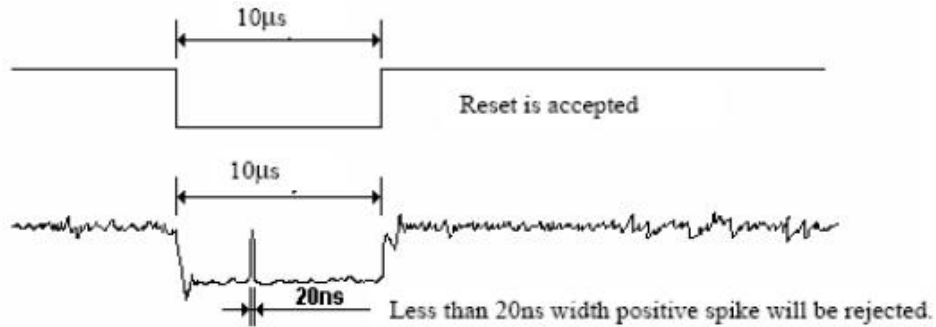
- The reset cancel includes also required time for loading ID bytes, VCOM setting and other settings from NVM (or similar device) to registers. This loading is done every time when there is HW reset cancel time (t_{RT}) within 5 ms after a rising edge of RESX.
- Spike due to an electrostatic discharge on RESX line does not cause irregular system reset according to the table below:

RESX Pulse	Action
Shorter than 5us	Reset Rejected
Longer than 9us	Reset
Between 5us and 9us	Reset starts

- During the Resetting period, the display will be blanked (The display is entering blanking sequence, which maximum time is 120 ms, when Reset Starts in Sleep Out –mode. The display remains the blank state in Sleep In –mode.) and then return to Default condition for Hardware Reset.

- Spike Rejection also applies during a valid reset pulse as shown below:

Part. No	KD035LQTMU184A	REV	V1.1	Page 17 of 27
常备库存 Stock For Sale	长期供货 Long Time supply	支持小量 NO MOQ	品种齐全 In Full Range	



5. When Reset applied during Sleep In Mode.

6. When Reset applied during Sleep Out Mode.

7. It is necessary to wait 5msec after releasing RESX before sending commands. Also Sleep Out command cannot be sent for 120msec.



Part. No	KD035LQTMU184A	REV	V1.1	Page 18 of 27
常备库存 Stock For Sale	长期供货 Long Time supply	支持小量 NO MOQ	品种齐全 In Full Range	

7. LCD Module Out-Going Quality Level

7.1 VISUAL & FUNCTION INSPECTION STANDARD

7.1.1 Inspection conditions

Inspection performed under the following conditions is recommended.

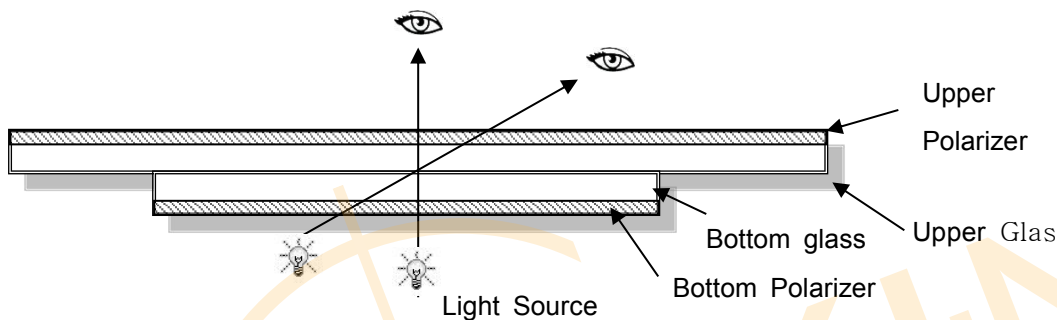
Temperature : $25\pm 5^{\circ}\text{C}$

Humidity : $65\%\pm 10\%\text{RH}$

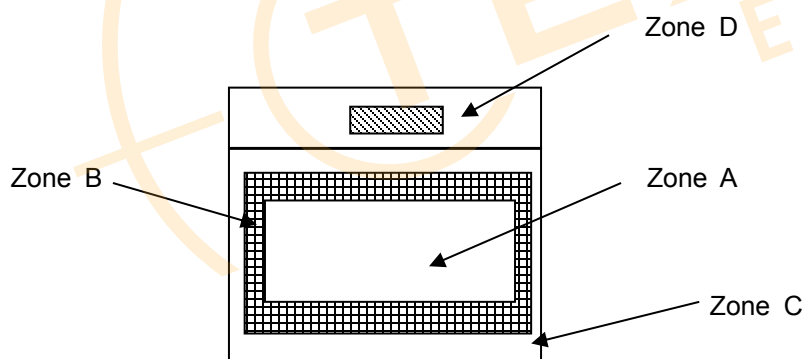
Viewing Angle : Normal viewing Angle.

Illumination: Single fluorescent lamp (300 to 700Lux)

Viewing distance:30-50cm



7.1.2 Definition



Zone A : Effective Viewing Area(Character or Digit can be seen)

Zone B : Viewing Area except Zone A

Zone C : Outside (Zone A+Zone B) which can not be seen after assembly by customer

Zone D : IC Bonding Area

Note:As a general rule ,visual defects in Zone C can be ignored when it doesn't effect product function or appearance after assembly by customer

Part. No	KD035LQTMU184A	REV	V1.1	Page 19 of 27
常备库存 Stock For Sale	长期供货 Long Time supply	支持小量 NO MOQ	品种齐全 In Full Range	

7.1.3 Sampling Plan

According to GB/T 2828-2003 ; , normal inspection, Class II

AQL:

Major defect	Minor defect
0.65	1.5

LCD: Liquid Crystal Display , LCM: Liquid Crystal Module,

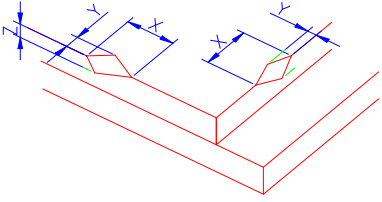
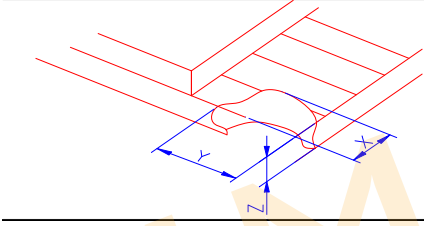
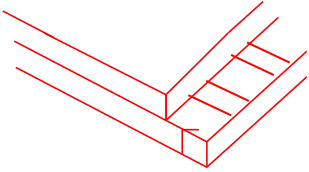
No	Items to be inspected	Criteria	Classification of defects
1	Functional defects	1) No display, Open or miss line 2) Display abnormally, Short 3) Backlight no lighting, abnormal lighting. etc...	Major
2	Missing	Missing components and etc...	
3	Outline dimension	Overall outline dimension beyond the drawing is not allowed, deformation and etc...	
4	Color tone	Color unevenness, refer to limited sample	Minor
5	Spot/Line defect	Light dot, Dim spot, (Note1) Polarizer Air Bubble, Polarizer accidented spot and etc.	
6	Soldering appearance	Good soldering , Peeling off is not allowed and etc.	
7	LCD/Polarizer	Black/White spot/line, scratch, crack, etc.	

Note1: a) Light dot: Dots appear bright and unchanged in size in which LCD panel is displaying under black pattern.

b) Dim dot: Dots appear dark and unchanged in size in which LCD panel is displaying under pure red, green, blue picture.

Part. No	KD035LQTMU184A	REV	V1.1	Page 20 of 27
常备库存 Stock For Sale	长期供货 Long Time supply	支持小量 NO MOQ	品种齐全 In Full Range	

7.1.4 Criteria (Visual)

Number	Items	Criteria(mm)						
1.0 LCD Crack/Broken NOTE: X: Length Y: Width Z: Height L: Length of IT O, T: Height of LCD	(1) The edge of LCD broken	 <table border="1" data-bbox="756 667 1455 815"> <thead> <tr> <th>X</th> <th>Y</th> <th>Z</th> </tr> </thead> <tbody> <tr> <td>≤3.0mm</td> <td><Inner border line of the seal</td> <td>≤T</td> </tr> </tbody> </table>	X	Y	Z	≤3.0mm	<Inner border line of the seal	≤T
X	Y	Z						
≤3.0mm	<Inner border line of the seal	≤T						
	(2) LCD corner broken	 <table border="1" data-bbox="836 1124 1375 1223"> <thead> <tr> <th>X</th> <th>Y</th> <th>Z</th> </tr> </thead> <tbody> <tr> <td>≤3.0mm</td> <td>≤L</td> <td>≤T</td> </tr> </tbody> </table>	X	Y	Z	≤3.0mm	≤L	≤T
X	Y	Z						
≤3.0mm	≤L	≤T						
	(3) LCD crack	 <p>Crack Not allowed</p>						

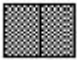


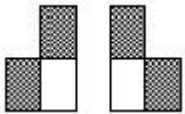
Part. No	KD035LQTMU184A	REV	V1.1	Page 21 of 27
常备库存 Stock For Sale	长期供货 Long Time supply	支持小量 NO MOQ		品种齐全 In Full Range



2.0	Spot defect	① light dot (black/white spot , pinhole, stain, etc.)			
	<p>$\Phi=(X+Y)/2$</p>	Acceptable Qty			
		Zone	A	B	C
		Size (mm)	Ignore		
$\Phi \leq 0.15$		Ignore			
	$0.15 < \Phi \leq 0.25$	3(distance ≥ 10 mm)			
	$0.25 < \Phi \leq 0.4$	2(distance ≥ 10 mm)			
	$\Phi > 0.4$	0			
		② Dim spot (light leakage, dent, dark spot, etc)			
		Acceptable Qty			
	Zone	A	B	C	
	Size (mm)	Ignore			
	$\Phi \leq 0.15$	Ignore			
	$0.15 < \Phi \leq 0.25$	3(distance ≥ 10 mm)			
	$0.25 < \Phi \leq 0.4$	2(distance ≥ 10 mm)			
	$\Phi > 0.4$	0			
		③ Polarizer accidented spot			
		Acceptable Qty			
	Zone	A	B	C	
	Size (mm)	Ignore			
	$\Phi \leq 0.2$	Ignore			
	$0.2 < \Phi \leq 0.5$	2(distance ≥ 10 mm)			
	$\Phi > 0.5$	0			
		④ Polarizer Bubble			
		Acceptable Qty			
	Zone	A	B	C	
	Size (mm)	Ignore			
	$\Phi \leq 0.2$	Ignore			
	$0.2 < \Phi \leq 0.4$	3(distance ≥ 10 mm)			
	$\Phi > 0.4$	0			


Part. No	KD035LQTMU184A	REV	V1.1	Page 22 of 27
常备库存 Stock For Sale	长期供货 Long Time supply	支持小量 NO MOQ	品种齐全 In Full Range	



3.0	LCD Pixel defect	Pixel bad points																					
		<table border="1"> <thead> <tr> <th>Item</th> <th>Zone A</th> <th>Acceptable Qt</th> </tr> </thead> <tbody> <tr> <td rowspan="3">Bright dot</td> <td>Random</td> <td>$N \leq 2$</td> </tr> <tr> <td>2 dots adjacent</td> <td>$N \leq 0$</td> </tr> <tr> <td>3 dots adjacent</td> <td>$N \leq 0$</td> </tr> <tr> <td rowspan="3">Dark dot</td> <td>Random</td> <td>$N \leq 2$</td> </tr> <tr> <td>2 dots adjacent</td> <td>$N \leq 0$</td> </tr> <tr> <td>3 dots adjacent</td> <td>$N \leq 0$</td> </tr> <tr> <td>Distance</td> <td> 1. Minimum Distance Between Bright dots. 2. Minimum Distance Between dark dots 3. Minimum Distance Between dark and bright dot. </td> <td>5mm</td> </tr> <tr> <td colspan="2">Total bright and dark dot</td> <td>$N \leq 4$</td> </tr> </tbody> </table>	Item	Zone A	Acceptable Qt	Bright dot	Random	$N \leq 2$	2 dots adjacent	$N \leq 0$	3 dots adjacent	$N \leq 0$	Dark dot	Random	$N \leq 2$	2 dots adjacent	$N \leq 0$	3 dots adjacent	$N \leq 0$	Distance	1. Minimum Distance Between Bright dots. 2. Minimum Distance Between dark dots 3. Minimum Distance Between dark and bright dot.	5mm	Total bright and dark dot
Item	Zone A	Acceptable Qt																					
Bright dot	Random	$N \leq 2$																					
	2 dots adjacent	$N \leq 0$																					
	3 dots adjacent	$N \leq 0$																					
Dark dot	Random	$N \leq 2$																					
	2 dots adjacent	$N \leq 0$																					
	3 dots adjacent	$N \leq 0$																					
Distance	1. Minimum Distance Between Bright dots. 2. Minimum Distance Between dark dots 3. Minimum Distance Between dark and bright dot.	5mm																					
Total bright and dark dot		$N \leq 4$																					
<p>Note:</p> <p>A) Bright dot: Dots appear bright and unchanged in size in which LCD panel is displaying under black pattern.</p> <p>B) Dark dot: Dots appear dark and unchanged in size in which LCD panel is displaying under pure red, green, blue picture.</p> <p>C) 2 dot adjacent = 1 pair = 2 dots</p> <p>Picture:</p> <div style="display: flex; justify-content: space-around; align-items: flex-start;"> <div style="text-align: center;">  <p>2 dot adjacent</p> </div> <div style="text-align: center;">  <p>2 dot adjacent</p> </div> </div> <div style="display: flex; justify-content: space-around; align-items: flex-start; margin-top: 20px;"> <div style="text-align: center;">  <p>2 dot adjacent (vertical)</p> </div> <div style="text-align: center;">  <p>2 dot adjacent (slant)</p> </div> </div>																							

Part. No	KD035LQTMU184A	REV	V1.1	Page 23 of 27
常备库存 Stock For Sale	长期供货 Long Time supply	支持小量 NO MOQ	品种齐全 In Full Range	



4.0	Line defect (LCD /Polarizer backlight black/white line, scratch, stain)  W: width, L : length N : Count	<table border="1"> <thead> <tr> <th rowspan="2">Width(mm)</th> <th rowspan="2">Length(m)</th> <th colspan="3">Acceptable Qty</th> </tr> <tr> <th>A</th> <th>B</th> <th>C</th> </tr> </thead> <tbody> <tr> <td>$\Phi \leq 0.05$</td> <td>Ignore</td> <td colspan="2">Ignore</td> <td rowspan="3">Ignore</td> </tr> <tr> <td>$0.05 < W \leq 0.06$</td> <td>$L \leq 4.0$</td> <td colspan="2">$N \leq 3$</td> </tr> <tr> <td>$0.06 < W \leq 0.08$</td> <td>$L \leq 3.0$</td> <td colspan="2">$N \leq 2$</td> </tr> <tr> <td>$W > 0.08$</td> <td colspan="4">Define as spot defect</td> </tr> </tbody> </table>	Width(mm)	Length(m)	Acceptable Qty			A	B	C	$\Phi \leq 0.05$	Ignore	Ignore		Ignore	$0.05 < W \leq 0.06$	$L \leq 4.0$	$N \leq 3$		$0.06 < W \leq 0.08$	$L \leq 3.0$	$N \leq 2$		$W > 0.08$	Define as spot defect			
		Width(mm)			Length(m)	Acceptable Qty																						
			A	B		C																						
		$\Phi \leq 0.05$	Ignore	Ignore		Ignore																						
		$0.05 < W \leq 0.06$	$L \leq 4.0$	$N \leq 3$																								
$0.06 < W \leq 0.08$	$L \leq 3.0$	$N \leq 2$																										
$W > 0.08$	Define as spot defect																											
5.0	Electronic Components SMT.	Not allow missing parts, solderless connection, cold solder joint, mismatch, The positive and negative polarity opposite																										
6.0	Display color & Brightness.	1. Color: Measuring the color coordinates, The measurement standard according to the datasheet or samples. 2. Brightness: Measuring the brightness of White screen, The measurement standard according to the datasheet or Samples.																										
7.0	LCD Mura/Waving/Hot spot	Not visible through 5% ND filter in 50% gray or judge by limit sample if necessary.																										

Criteria (functional items)

Number	Items	Criteria (mm)
1	No display	Not allowed
2	Missing segment	Not allowed
3	Short	Not allowed
4	Backlight no lighting	Not allowed

Part. No	KD035LQTMU184A	REV	V1.1	Page 24 of 27
常备库存 Stock For Sale	长期供货 Long Time supply	支持小量 NO MOQ	品种齐全 In Full Range	

8. Reliability Test Result

Item	Condition	Inspection after test
High Temperature Operating	70°C,96H	Inspection after 2~4hours storage at room temperature, the sample shall be free from defects: 1.Air bubble in the LCD; 2.Non-display; 3.Missing segments/line; 4.Glass crack; 5.Current IDD is twice higher than initial value.
Low Temperature Operating	-20°C, 96HR	
High Temperature Storage	80°C, 96HR	
Low Temperature Storage	-30°C, 96HR	
High Temperature & High Humidity Operating	+60°C, 90% RH ,96 hours.	
Thermal Shock (Non-operation)	-10°C,30 min ↔ 60°C,30 min, Change time:5min 20CYC.	
ESD test	C=150pF, R=330,5points/panel Air:±8KV, 5times; Contact:±6KV, 5 times; (Environment: 15°C~35°C, 30%~60%).	
Vibration (Non-operation)	Frequency range:10~55Hz, Stroke:1.5mm Sweep:10Hz~55Hz~10Hz 2 hours for each direction of X.Y.Z. (6 hours for total) (Package condition).	
Box Drop Test	1 Corner 3 Edges 6 faces,80cm(MEDIUM BOX)	

Remark:

- The test samples should be applied to only one test item.
- Sample size for each test item is 5~10pcs.
- For Damp Proof Test, Pure water(Resistance > 10MΩ) should be used.
- In case of malfunction defect caused by ESD damage, if it would be recovered to normal state after resetting, it would be judged as a good part.
- Failure Judgment Criterion: Basic Specification, Electrical Characteristic, Mechanical Characteristic, Optical Characteristic.
- The color fading mura of polarizing filter should not care.

Part. No	KD035LQTMU184A	REV	V1.1	Page 25 of 27
常备库存 Stock For Sale	长期供货 Long Time supply	支持小量 NO MOQ	品种齐全 In Full Range	

9. Cautions and Handling Precautions

9.1 Handling and Operating the Module

- (1) When the module is assembled, it should be attached to the system firmly.
Do not warp or twist the module during assembly work.
- (2) Protect the module from physical shock or any force. In addition to damage, this may cause improper operation or damage to the module and back-light unit.
- (3) Note that polarizer is very fragile and could be easily damaged. Do not press or scratch the surface.
- (4) Do not allow drops of water or chemicals to remain on the display surface.
If you have the droplets for a long time, staining and discoloration may occur.
- (5) If the surface of the polarizer is dirty, clean it using some absorbent cotton or soft cloth.
- (6) The desirable cleaners are water, IPA (Isopropyl Alcohol) or Hexane.
Do not use ketene type materials (ex. Acetone), Ethyl alcohol, Toluene, Ethyl acid or Methyl chloride. It might permanent damage to the polarizer due to chemical reaction.
- (7) If the liquid crystal material leaks from the panel, it should be kept away from the eyes or mouth. In case of contact with hands, legs, or clothes, it must be washed away thoroughly with soap.
- (8) Protect the module from static; it may cause damage to the CMOS ICs.
- (9) Use finger-stalls with soft gloves in order to keep display clean during the incoming inspection and assembly process.
- (10) Do not disassemble the module.
- (11) Protection film for polarizer on the module shall be slowly peeled off just before use so that the electrostatic charge can be minimized.
- (12) Pins of I/F connector shall not be touched directly with bare hands.
- (13) Do not connect, disconnect the module in the "Power ON" condition.
- (14) Power supply should always be turned on/off by the item 6.1 Power On Sequence & 6.2 Power Off Sequence

9.2 Storage and Transportation.

- (1) Do not leave the panel in high temperature, and high humidity for a long time.
It is highly recommended to store the module with temperature from 0 to 35 °C and relative humidity of less than 70%
- (2) Do not store the TFT-LCD module in direct sunlight.
- (3) The module shall be stored in a dark place. When storing the modules for a long time, be sure to adopt effective measures for protecting the modules from strong ultraviolet radiation, sunlight, or fluorescent light.
- (4) It is recommended that the modules should be stored under a condition where no condensation is allowed. Formation of dewdrops may cause an abnormal operation or a failure of the module.
In particular, the greatest possible care should be taken to prevent any module from being operated where condensation has occurred inside.
- (5) This panel has its circuitry FPC on the bottom side and should be handled carefully in order not to be stressed.

Part. No	KD035LQTMU184A	REV	V1.1	Page 26 of 27
常备库存 Stock For Sale	长期供货 Long Time supply	支持小量 NO MOQ	品种齐全 In Full Range	

10. Packing

---TBD-----



Part. No	KD035LQTMU184A	REV	V1.1	Page 27 of 27
常备库存 Stock For Sale	长期供货 Long Time supply	支持小量 NO MOQ	品种齐全 In Full Range	

Disclaimer

ALL PRODUCTS, PRODUCT SPECIFICATIONS AND DATA ARE SUBJECT TO CHANGE WITHOUT NOTICE TO IMPROVE RELIABILITY, FUNCTION OR DESIGN OR OTHERWISE.

Texim Europe B.V. its affiliates, agents, and employees, and all persons acting on its or their behalf (collectively, "Texim"), disclaim any and all liability for any errors, inaccuracies or incompleteness contained in any datasheet or in any other disclosure relating to any product.

Texim makes no warranty, representation or guarantee regarding the suitability of the products for any particular purpose or the continuing production of any product.

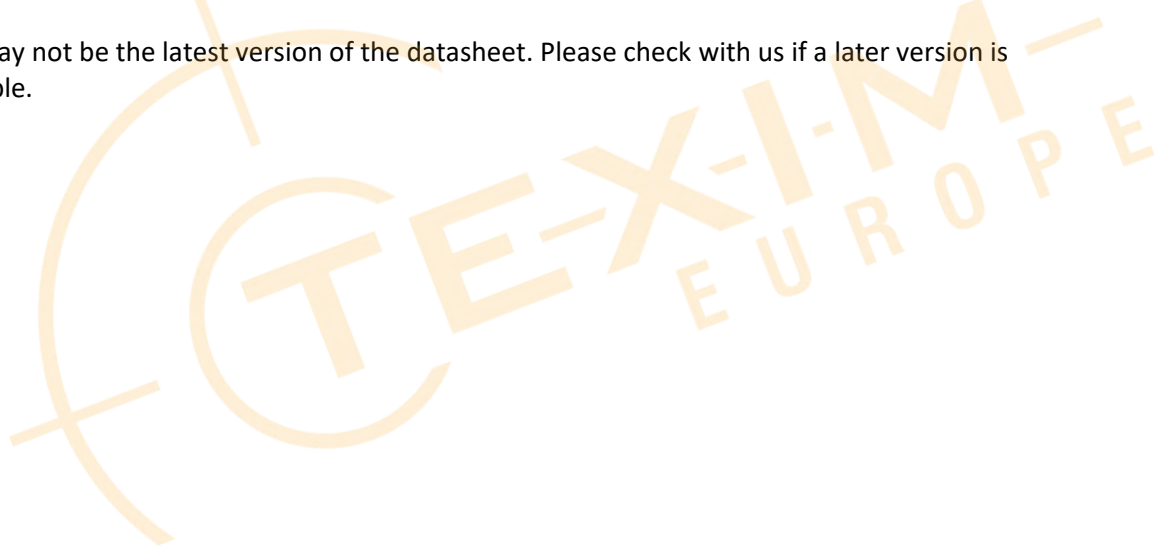
It is the customer's responsibility to validate that a particular product with the properties described in the product specification is suitable for use in a particular application.

Parameters provided in datasheets and / or specifications may vary in different applications and performance may vary over time.

All operating parameters, including typical parameters, must be validated for each customer application by the customer's technical experts.

Please contact us if you have any questions about the contents of the datasheet.

This may not be the latest version of the datasheet. Please check with us if a later version is available.





Headquarters & Warehouse

Elektrostraat 17
 NL-7483 PG Haaksbergen
 The Netherlands

T: +31 (0)53 573 33 33
 E: info@texim-europe.com
 Homepage: www.texim-europe.com



The Netherlands

Elektrostraat 17
 NL-7483 PG Haaksbergen

T: +31 (0)53 573 33 33
 E: nl@texim-europe.com



Belgium

Zuiderlaan 14, box 10
 B-1731 Zellik

T: +32 (0)2 462 01 00
 E: belgium@texim-europe.com



UK & Ireland

St Mary's House, Church Lane
 Carlton Le Moorland
 Lincoln LN5 9HS

T: +44 (0)1522 789 555
 E: uk@texim-europe.com



Germany

Bahnhofstrasse 92
 D-25451 Quickborn

T: +49 (0)4106 627 07-0
 E: germany@texim-europe.com



Germany

Martin-Kollar-Strasse 9
 D-81829 München

T: +49 (0)89 436 086-0
 E: muenchen@texim-europe.com



Austria

Martin-Kollar-Strasse 9
 D-81829 München

T: +49 (0)89 436 086-0
 E: austria@texim-europe.com



Nordic

Stockholmsgade 45
 2100 Copenhagen

T: +45 88 20 26 30
 E: nordic@texim-europe.com



Italy

Martin-Kollar-Strasse 9
 D-81829 München

T: +49 (0)89 436 086-0
 E: italy@texim-europe.com