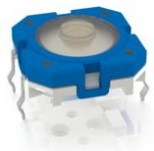


Distributed by:



www.texim-europe.com

## RACON 12 S, THT outside, 3,6 $\pm$ 0,7 N, 1 NO



### fields of application

- > Measurement-control-regulation
- > Mechanical and system engineering
- > Automotive
- > Electro-medical

### special features

- Gold contacts, reliable switching with low currents
- Special tactile feedback
- Different operating forces
- Variable overall heights due to plunger
- Terminal technology: SMT or THT
- Traceability through product identification sealable (tested media see Downloads)



### description

Our top-quality RACON 12 tactile switches – in the dimensions 12 x 12 mm – feature an unmistakable click, high switching reliability, a sealed contact system and castability. That has made RACON the standard in many industries. Whether for automotive applications, systems with keycaps, or membrane keyboards, RACON impresses in the THT or SMT versions – for your application too.

RACON 12 tactile switches can be arranged individually, in rows or as key blocks. When used beneath membrane overlays, the RACON key switches should be combined with plungers. Suitable for the most important soldering techniques

Soldering bath for THT versions

Reflow soldering for SMT versions

Vapor phase soldering for SMT versions

Manual soldering

Processing of the SMT designs with SMT automatic assembly machines

IMDS entry

### technical data

#### > general

|  |        |
|--|--------|
| Color                                      | blue   |
| Operating temperature, min.                | -40 °C |
| Storage temperature, min.                  | -50 °C |
| Operating temperature, max.                | 90 °C  |
| Storage temperature, max.                  | 90 °C  |
| illuminated                                | No     |
| Soldering time for manual soldering, max.  | 5 sec  |
| Soldering temperature for manual soldering | 350 °C |

#### direct links

- > RAFI eCatalog

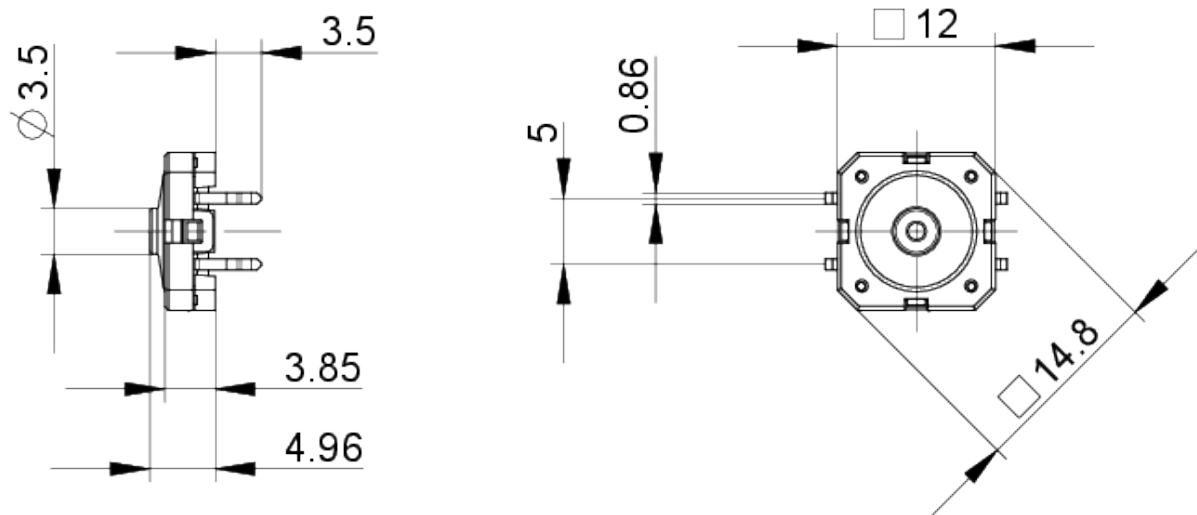
Distributed by:



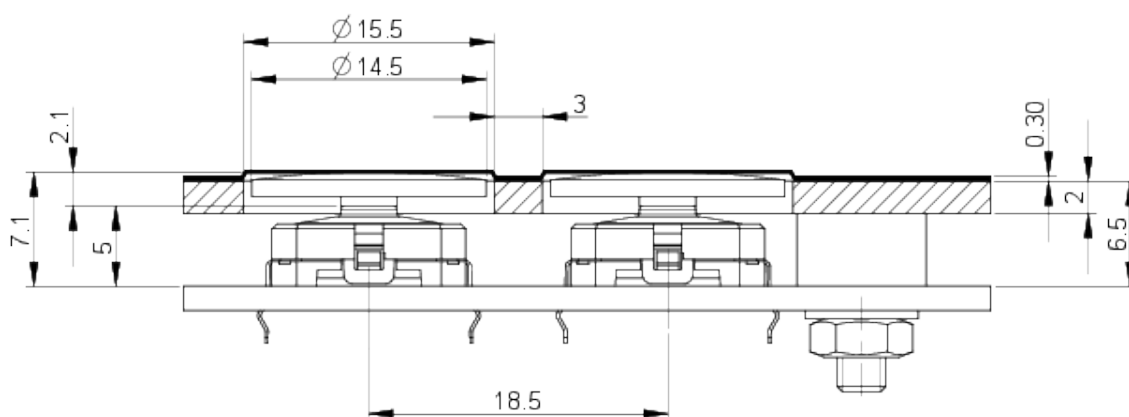
|   |                            |
|---|----------------------------|
| Soldering temperature for wave soldering                    | 260 °C                     |
| Soldering   | Manual / wave              |
| Solder heat resistance according to standard                | DIN EN 60068-2-20          |
| Packaging   | Tube                       |
| Packaging unit  | 45 pcs.                    |
| net weight  | 1.2 g                      |
| Operating life  | 1,000,000 cycles           |
| B10   | 1,300,000 cycles           |
| Degree of protection, front side, according to DIN EN 60529 | IP54<br>IPx7               |
| Degree of protection, rear side, according to DIN EN 60529  | IP54<br>IPx7               |
| MSL Moisture Sensitivity Level                              | 1                          |
| Corrosive gas testing according to standard                 | Yes                        |
| MOQ order   | 450 pcs.                   |
| RoHS compliant  | Yes                        |
| REACH compliant   | Yes                        |
| Component material  | Elastomer                  |
| Product code  | 1A                         |
| <b>&gt; mounting diameters</b>                              |                            |
| Installation height   | 4.95±0.1 mm                |
| Grid, min.  | 12,5 x 15,24 mm            |
| Outside dimension, length                                   | 12 mm                      |
| Outside dimension, width                                    | 12 mm                      |
| Outside dimension, height                                   | 8,45±0,1 mm                |
| <b>&gt; mechanical data</b>                                 |                            |
| Actuation function  | momentary contact function |
| Operating force, max.                                       | 8 N                        |
| Operating force, min.                                       | 3,6±0,7 N                  |
| Switching travel  | 0,61±0,1 mm                |
| Contact function  | 1 NO                       |
| Contact system  | Snap-action contact        |
| Contact material  | Gold                       |
| Terminal on the rear  | THT outward                |
| Solderability   | Yes                        |
| <b>&gt; electrical data</b>                                 |                            |
| Rated voltage, min.   | 0.02 V                     |
| Rated voltage, max.   | 35 V                       |
| Rated current, min.   | 0.00001 A                  |
| Rated current, max.   | 0.1 A                      |
| Rated power, max.   | 1 W                        |

**drawings**

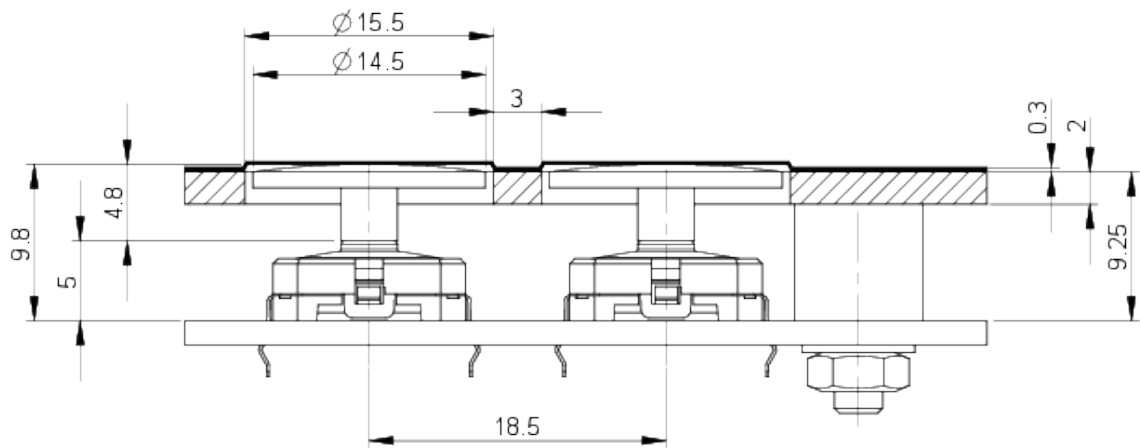
**Dimensioned drawing**



**System drawing**



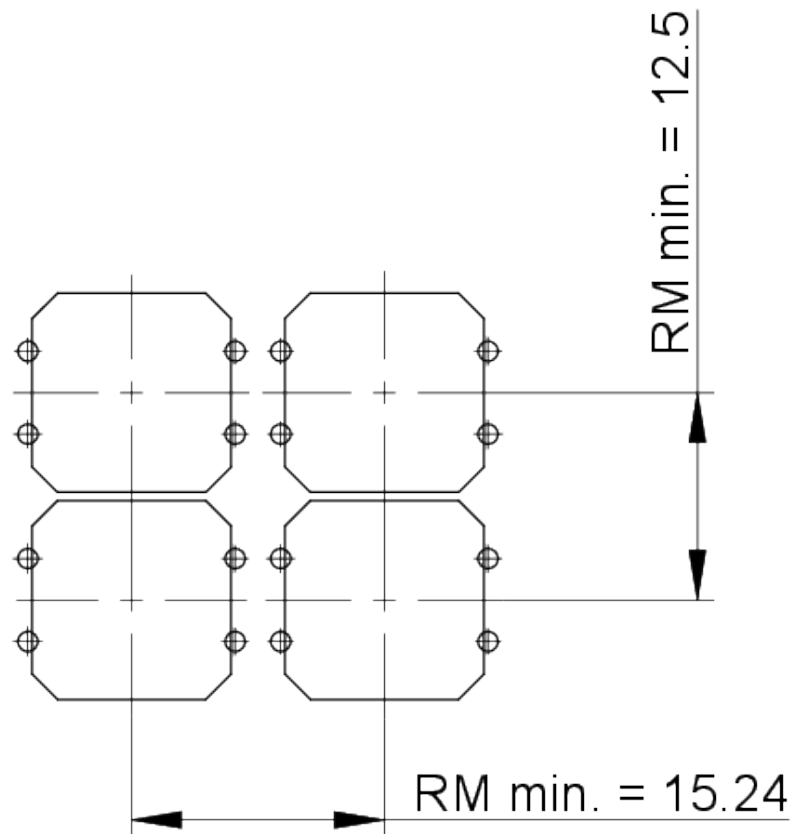
**System drawing**



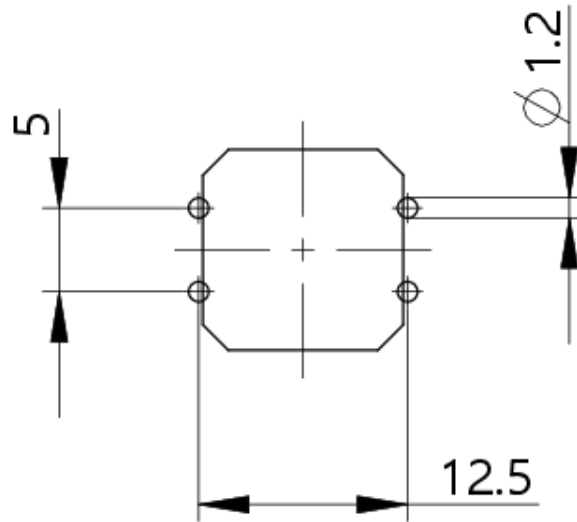
**System drawing**



PCB drawing



PCB drawing

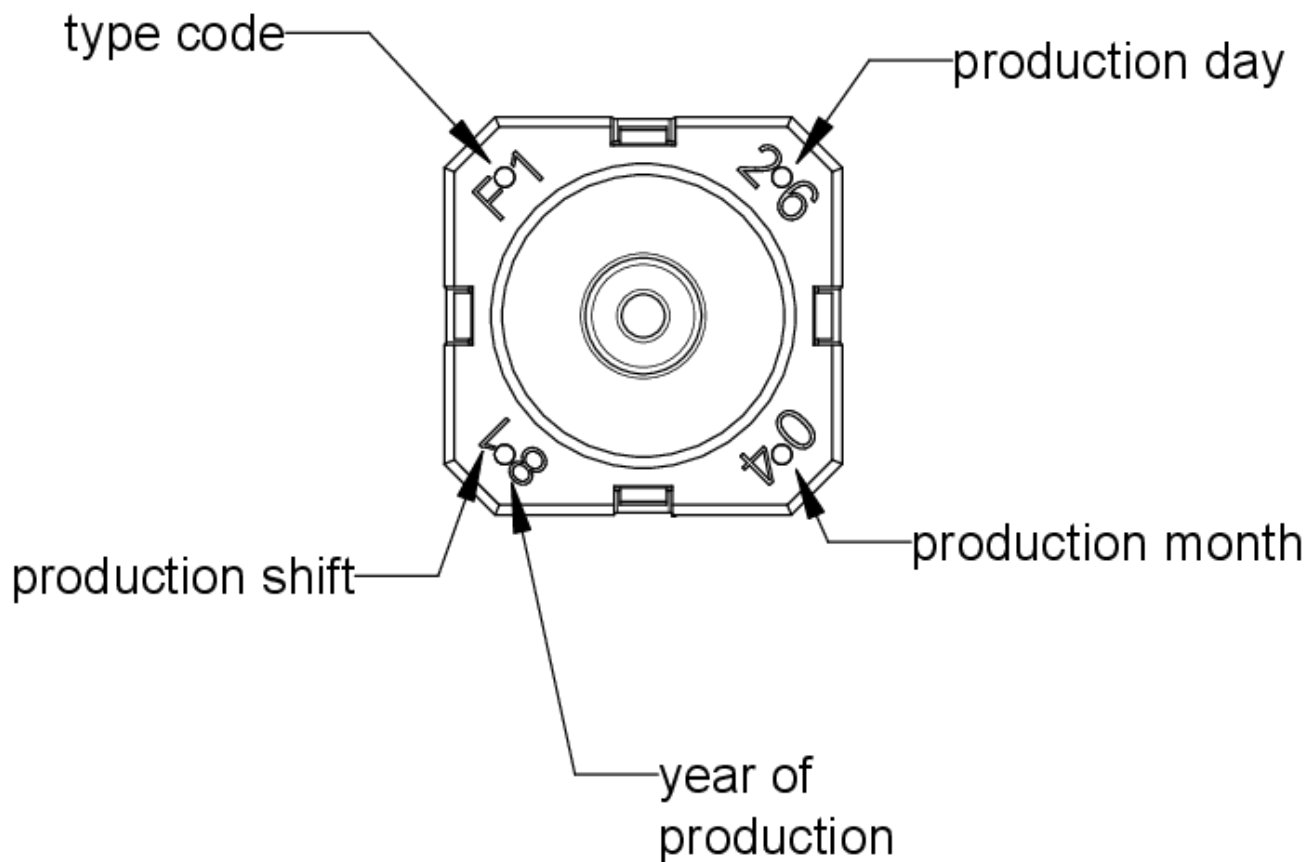


PCB hole pattern  
component side

Distributed by:



Product labeling drawing



Distributed by:



[www.texim-europe.com](http://www.texim-europe.com)

## The Netherlands



Elektrostraat 17  
NL-7483 PG Haaksbergen

T: +31 (0)53 573 33 33  
F: +31 (0)53 573 33 30  
E: [nl@texim-europe.com](mailto:nl@texim-europe.com)

## Belgium



Zuiderlaan 14 bus 10  
B-1731 Zellik

T: +32 (0)2 462 01 00  
F: +32 (0)2 462 01 25  
E: [belgium@texim-europe.com](mailto:belgium@texim-europe.com)

## UK & Ireland



St. Mary's House, Church Lane  
Carlton Le Moorland  
Lincoln LN5 9HS

T: +44 (0)1522 789 555  
F: +44 (0)845 299 22 26  
E: [uk@texim-europe.com](mailto:uk@texim-europe.com)

## Germany North



Bahnhofstrasse 92  
D-25451 Quickborn

T: +49 (0)4106 627 07-0  
F: +49 (0)4106 627 07-20  
E: [germany@texim-europe.com](mailto:germany@texim-europe.com)

## Germany South



Martin-Kollar-Strasse 9  
D-81829 München

T: +49 (0)89 436 086-0  
F: +49 (0)89 436 086-19  
E: [germany@texim-europe.com](mailto:germany@texim-europe.com)

## Austria



Warwitzstrasse 9  
A-5020 Salzburg

T: +43 (0)662 216 026  
F: +43 (0)662 216 026-66  
E: [austria@texim-europe.com](mailto:austria@texim-europe.com)

## Nordic region



Sdr. Jagtvej 12  
DK-2970 Hørsholm

T: +45 88 20 26 30  
F: +45 88 20 26 39  
E: [nordic@texim-europe.com](mailto:nordic@texim-europe.com)

## Italy



Via Matteotti 43  
IT-20864 Agrate Brianza (MB)

T: +39 (0)39 971 3293  
F: +39 (0)39 971 3293  
E: [italy@texim-europe.com](mailto:italy@texim-europe.com)

## General information



[info@texim-europe.com](mailto:info@texim-europe.com)  
[www.texim-europe.com](http://www.texim-europe.com)