



CABLE 036 RF: RF CABLE ASSEMBLY, I-PEX MHF + SMA FEMALE BULKHEAD + MULTIPLE CABLE SIZES

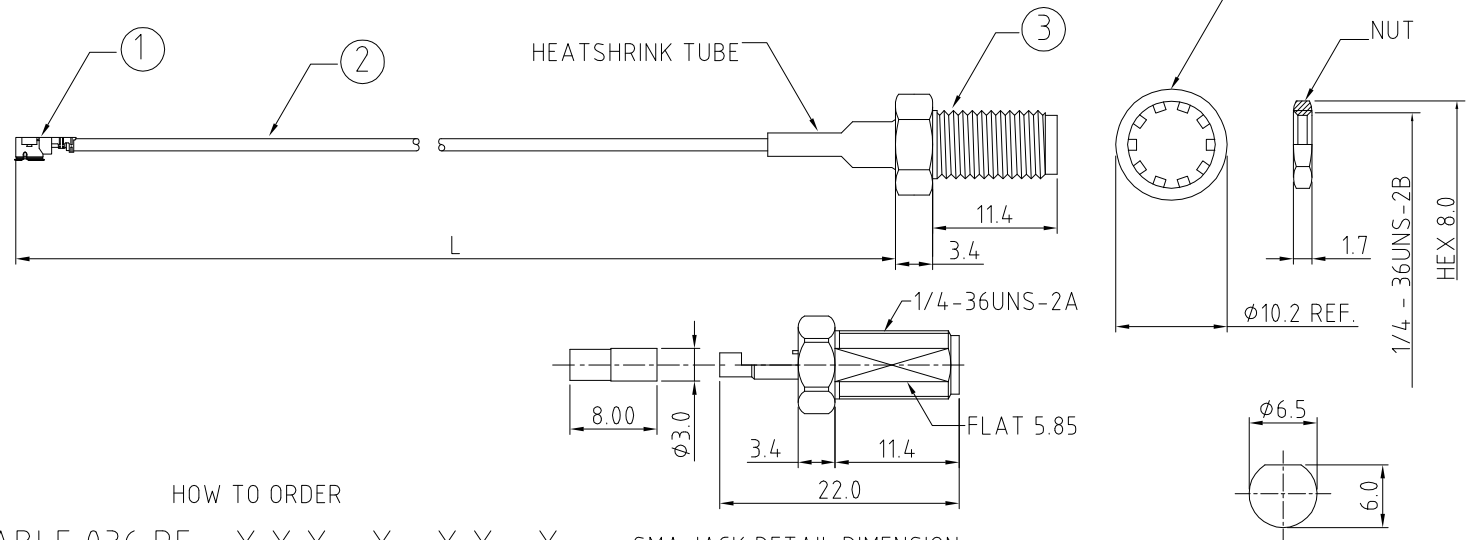
SPECIFICATIONS

1. I-PEX MHF PLUG (SEE CHART FOR P/N)
(ALTERNATIVE TO HIROSE U.FL)
2. COAXIAL CABLE (SEE P/N OPTION)
3. SMA ST BULKHEAD (SEE CHART FOR P/N)

USAGE PRECAUTIONS: CABLES USING 'MICRO' COAX ARE DELICATE:
 (i) HANDLE WITH CARE.
 (ii) DO NOT TWIST; APPLY EXCESSIVE FORCES OR SHARP BENDS TO THE CABLE. DO NOT FORCEFULLY DEFORM WIRES.
 (iii) CONSULT CONNECTOR MANUFACTURER'S DATASHEETS FOR DETAILED NOTES ON HANDLING INSTRUCTIONS.

NOTES:

1. THE ORIENTATION OF CONNECTORS ON DRAWING IS FOR REFERENCE ONLY, IF THE ORDER IS LEFT BLANK THE CONNECTOR WILL NOT HAVE FIXED ORIENTATION.
2. FIXED ORIENTATION IS POSSIBLE FOR CABLE LENGTH 25MM TO 220MM. PLEASE SPECIFY THE FIXED ORIENTATIONS FROM THE ORDER CODE (F1, F2, ETC)
3. CONTACT GRAD CONN IF THE ORIENTATION YOU REQUIRE IS NOT SHOWN.
4. WORKING FREQUENCY RANGE: DC-3GHz. Δ



HOW TO ORDER

CABLE 036 RF - X X X - X - X X - X SMA JACK DETAIL DIMENSION

"L" LENGTH IN MM
 eg: 100MM = 0100
 (MIN. 025-MAX.400)
 STANDARD = 100, 150, 200
 Tolerance: <50mm : ±2mm.
 51-200mm: ±5mm.
 201-400mm: ±7mm.

CABLE SIZE OPTIONS:
 BLANK = ϕ 1.13MM CABLE, COLOR: GRAY
 1 = RG178 CABLE, COLOR: BROWN
 Δ 2 = ϕ 1.37MM CABLE, COLOR: BLACK

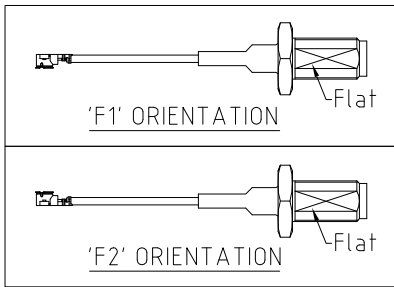
BLANK = DOES NOT HAVE A FIXED ORIENTATION
 F1 = MHF CONNECTION DOWN (L=25-220MM)
 F2 = MHF CONNECTION UP (L=25-220MM)
 (SEE NOTES 1, 2, 3 AND DIAGRAMS FOR MORE INFORMATION)

WASHER AND NUT OPTIONS:
 BLANK = SEPERATELY PACKED (STANDARD)
 A = ASSEMBLED WITH CONNECTOR

RECOMMENDED SMA MOUNTING HOLE

CHART OF CABLE AND CONNECTOR P/N

CABLE ϕ	I-PEX P/N	SMA P/N
ϕ 1.13	20278-112R-13	C02ABWS178003B
RG178	20278-112R-18	C02ABWS178003B
ϕ 1.37	20351-112R-37	C02ABWS178003B



10 05/03/08 - NYW RELEASE
11 20/09/08 - NYW ADD SMA DIMENSION
12 28/11/08 - NYW CHANGE IPEX P/N TO 20278-112R-13 (HALOGEN FREE)
13 05/12/08 - NYW ADD WASHER AND NUT OPTIONS
14 16/05/09 - NYW ADD ORIENTATION AND CABLE SIZE OPTIONS
15 10/08/10 - NYW ADD 1.37mm CABLE OPTION
16 18/09/13 - NYW AMEND IPEX RG178 P/N

Scale: NTS	THIRD ANGLE	Unstated X .XX .XXX ANGLES	Tolerances: ±0.2 ±0.1 ±0.05 ±5	Material: SEE NOTE
Drawn: NYW				
App'd: XXX	Title: CABLE ASSEMBLY	NOT TO SCALE		
Date: 18 SEP '13	Revision: 1.6	Unit: mm		

www.gradconn.com

THIS DRAWING IS CONFIDENTIAL AND MUST NOT BE COPIED OR DISCLOSED WITHOUT WRITTEN CONSENT

Type: Cable 036 RF
CABLE 036 RF
Drawing Number:
Sheet 1 of 1
Drawing © E and O E