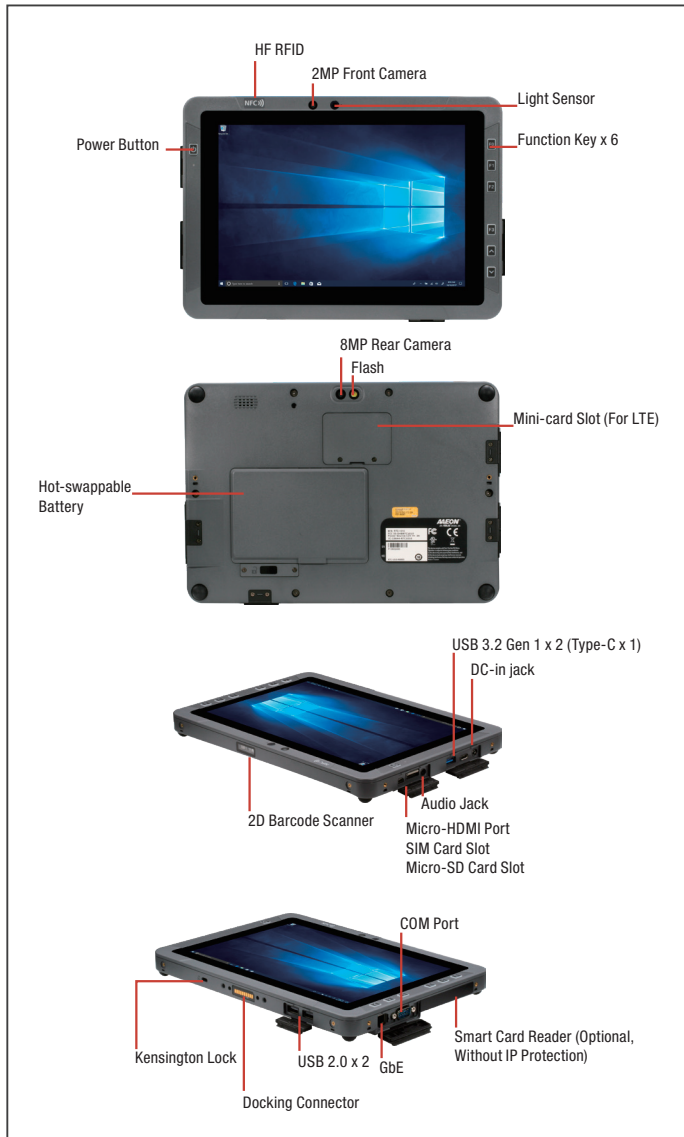


# RTC-1010M

10.1" Semi-rugged Tablet Features With Intel® N3350 / N4200 Processor With Windows®



## Specifications

System Architecture	
Processor	Intel® Celeron™ N3350 1.1GHz Dual core up to 2.4GHz Intel® Pentium™ N4200 1.1GHz Quad core up to 2.5GHz
Operating System	Windows® 10 IOT Enterprise SAC
Memory	Onboard DDR3L 4GB (Default)
Storage	eMMC 64GB (mSATA III up to 512GB via inside mini-card slot, Optional)
Display	10.1" WXGA (1280x800) 300-nit TFT LCD With Projected Capacitive Multi-Touch Screen
I/O Port	Micro-HDMI port x 1 SIM card slot x 1 Micro-SD card slot x 1 Audio jack x 1 USB 3.2 Gen 1 x 2 (USB Type-C x 1), USB 2.0 x 2, DC-in jack x 1, RS-232/422/485 COM Port x 1 (Optional), 10/100/1000 Base-T RJ45 x 1 (Optional), Smart card reader x 1 (Optional, Without IP protection), MSR reader x 1 (Optional, Without IP protection)
Communication	Wi-Fi 802.11 b/g/n Bluetooth v4.2 (EDR + BLE)
Navigation	Up to 3 GNSS, GPS + Galileo (Default), GLONASS or BeiDou (Optional)
WWAN(optional)	LTE via mini-card slot (Optional)
Camera	2MP front camera 8MP rear camera with flash
Sensor	G-sensor, E-compass, Gyro-sensor, Light-sensor
Expansion Slot	Inside mini-card slot x 1, Mini-card slot x 1, Docking connector: USB 2.0 x 1
Barcode Scanner (Optional)	2D Barcode scanner, OPTICON MDI-4100-USB (Optional)

## Features

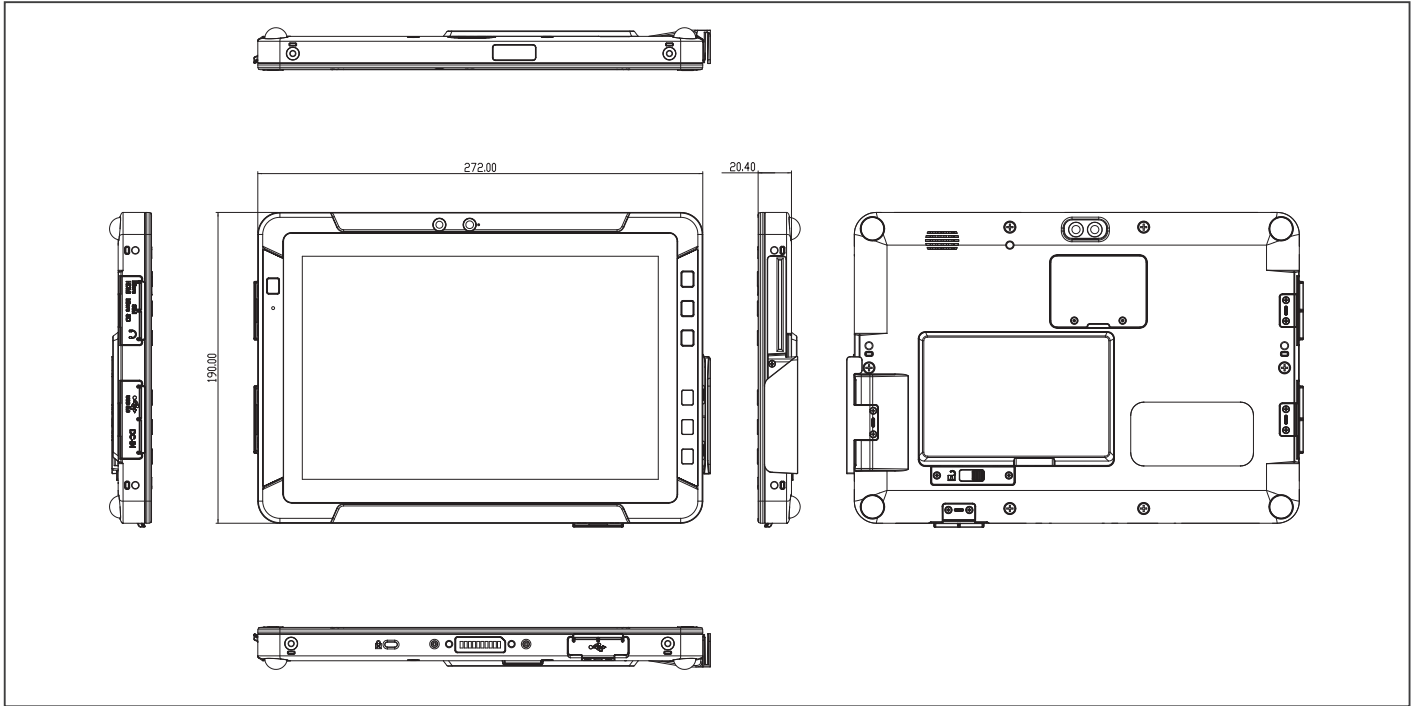
- 10.1" WXGA (1280 x 800) 300-nit TFT LCD (Default)
- Intel® Celeron™ N3350 1.1GHz Dual Core Up to 2.4GHz (N4200 Optional)
- Onboard DDR3L Memory, 4GB (Default)
- eMMC 64GB (mSATA III Up to 512GB Optional)
- WiFi 802.11b/g/n, Bluetooth 4.2, LTE (Optional)
- 2MP Front and 8MP Rear Camera
- RS-232/422/485 COM Port + 10/100/1000 Base-T RJ45 (Optional)
- USB 3.2 Gen 1 x 2 (USB Type-C x 1), USB 2.0 x 2
- 2D Barcode Scanner & Smart Card Reader (Optional)
- HF RFID/ MSR Reader (Optional)
- Up to 3 GNSS, GPS+Galileo(Default), GLONASS or BeiDou (Optional)
- One Hot-swappable Battery + Internal Battery, Up to 44W Battery Capacity
- IP54 Compliant, Drop 76cm
- Programmable Function Key: F0, F1, F2, F3, Volume Up/Down, With LED Illumination
- Windows® 10 IOT



HF RFID (Optional)	ISO 15693 (R/W) ISO 18092 (R/W) ISO 14443-A (R/W) ISO 14443-B (Only Read UID) Depend on card type
Physical Key	F0 or Windows (Windows Start Key), F1(BCR Trigger Button (When BCR is enabled)), F2(Screenprint), F3(Ctrl+Alt+Del as Soft Reboot), Volume Up, Volume Down
<b>Mechanical</b>	
Color	Black & Dark Gray
Dimension (W x H x D)	10.71" x 7.48" x 0.80" (272.0 mm x 190.0 mm x 20.4 mm)
Gross Weight	2.1 lb (0.95 Kg) based on configurations
<b>Environmental</b>	
Operating Temperature	-4°F ~ 122°F (-20°C ~ 50°C)
Storage Temperature	-67°F ~ 158°F (-55°C ~ 70°C)
Humidity	0% ~ 90% relative humidity, non-condensing
Environmental Sealing	IP54
Vibration	—
Drop	Drop height: 76 cm Condition: Based on 2" plywood over concrete
Shock	—
ESD	Air charge: +/- 8KV, Contact charge: +/- 4KV
Certifications and Standards	UL60950-1, CE, FCC
<b>Power Supply</b>	
AC / DC Adapter	AC 100 ~ 240 V, 50 ~ 60 Hz, Output: 12V/ 3A/ 36W
Battery Life	Li-ion Battery 8-hour battery life based on test configurations
Master Battery	Hot-swappable battery: 14.4V, 2270mAh, 32.7W
Slave Battery	7.4V, 1530mAh, 11.3W
<b>Display</b>	
LCD	10.1" TFT-LCD/ 16:10 with LED backlight
Resolution	1280 x 800
Maximum Color	N/A
Dot Size	0.1692 (H) x 0.1692 (V) mm
Brightness	300 nit (800 nits optional)
Viewing Angle	Horizontal: 170° (Typ.), Vertical: 170° (Typ.)
<b>Touch Screen</b>	
Touch Type	Projected capacitive multi-touch screen (PCT)
Light Transmission	Min 85%

## Dimension

Unit: mm



## Packing List

- 12V Power Adaptor
  - RTC-1010M
- \*Power cord must be purchased separately.

## Optional Accessories

- RDS-411-000  
Docking Station
- RDS-411-001  
Docking Station, W/ Stand
- RBC-1200-000  
4-bay Battery Charger
- RTC-1010-HS-000  
Hand Strap
- RTC-1010-SB-000  
Shoulder Belt, 2 Points
- RTC-1200BAT01-000  
Battery Pack, 14.4V, 2270mAh, 2 pcs/Box

## Ordering Information

Part Number	CPU	OS	LCD Display	Touch Screen	System Memory	Storage	Expansion I/O	Sensor	WiFi/Bluetooth	Navigation	LTE Bands (MHZ)	Camera	2D Barcode Scanner	SCR	HF RFID	MSR	Battery	Power
RTC-1010-M0002	N3350	Windows 10 IOT	10.1" 300 nits	PCT 10 points	DDR3L 4GB	eMMC 64GB	Micro-HDMI port x 1 SIM card slot x 1 Micro-SD card slot x 1 Audio jack x 1 USB 3.2 Gen 1 x 2 (USB Type-C x 1), USB 2.0 x 2 DC-in jack x 1	G-sensor E-compass Gyro-sensor Light-sensor	802.11 b/g/n + BT4.2	N/A	—	Front: 2MP	—	—	—	—	32.7W	DC12V
RTC-1010-M0001	N3350	Windows 10 IOT	10.1" 300 nits	PCT 10 points	DDR3L 4GB	eMMC 64GB	Micro-HDMI port x 1 SIM card slot x 1 Micro-SD card slot x 1 Audio jack x 1 USB 3.2 Gen 1 x 2 (USB Type-C x 1), USB 2.0 x 2 DC-in jack x 1	G-sensor E-compass Gyro-sensor Light-sensor	802.11 b/g/n + BT4.2	GPS/ Galileo/ GLONASS	—	Front: 2MP Rear: 8MP w/ Flash	Yes	Yes	Yes	Yes	32.7W + 11.3W	DC12V
RTC-1010-M0003	N4200	Windows 10 IOT	10.1" 300 nits	PCT 10 points	DDR3L 4GB	eMMC 64GB	Micro-HDMI port x 1 SIM card slot x 1 Micro-SD card slot x 1 Audio jack x 1 USB 3.2 Gen 1 x 2 (USB Type-C x 1), USB 2.0 x 2 DC-in jack x 1 RS-232/422/485 COM Port x 1 10/100/1000 Base-T RJ45 x 1	G-sensor E-compass Gyro-sensor Light-sensor	802.11 b/g/n + BT4.2	GPS/ Galileo/ GLONASS	—	Front: 2MP Rear: 8MP w/ Flash	Yes	—	Yes	—	32.7W + 11.3W	DC12V