



R7600E-H Specification

4G LTE Router



SIMCom Wireless Solutions Limited

Building B, SIM Technology Building, No.633, Jinzhong Road

Changning District, Shanghai P.R. China

Tel: 86-21-31575100

support@simcom.com

www.simcom.com

| | |
|------------------------|------------------------|
| Document Title: | R7600E-H Specification |
| Version: | 1.0 |
| Date: | 2020-08-25 |
| Status: | Released |

COPYRIGHT

THIS DOCUMENT CONTAINS PROPRIETARY TECHNICAL INFORMATION WHICH IS THE PROPERTY OF SIMCOM WIRELESS SOLUTIONS LIMITED. COPYING, TO OTHERS AND USING THIS DOCUMENT, ARE FORBIDDEN WITHOUT EXPRESS AUTHORITY BY SIMCOM. OFFENDERS ARE LIABLE TO THE PAYMENT OF INDEMNIFICATIONS. ALL RIGHTS RESERVED BY SIMCOM IN THE PROPRIETARY TECHNICAL INFORMATION, INCLUDING BUT NOT LIMITED TO REGISTRATION GRANTING OF A PATENT, A UTILITY MODEL OR DESIGN. ALL SPECIFICATION SUPPLIED HEREIN ARE SUBJECT TO CHANGE WITHOUT NOTICE AT ANY TIME.

SIMCom Wireless Solutions Limited

Building B, SIM Technology Building, No.633 Jinzhong Road, Changning District, Shanghai P.R.China
Tel: +86 21 31575100
Email: simcom@simcom.com

For technical support, or to report documentation errors, please visit:

<https://www.simcom.com/ask/> or email to: support@simcom.com

Copyright © 2020 SIMCom Wireless Solutions Limited All Rights Reserved.

Contents

| | | |
|---|-----------------------|----|
| 1 | Overview..... | 5 |
| 2 | Features..... | 6 |
| 3 | Hardware..... | 7 |
| 4 | Software..... | 8 |
| 5 | Dimensions..... | 9 |
| 6 | Panel indicators..... | 10 |



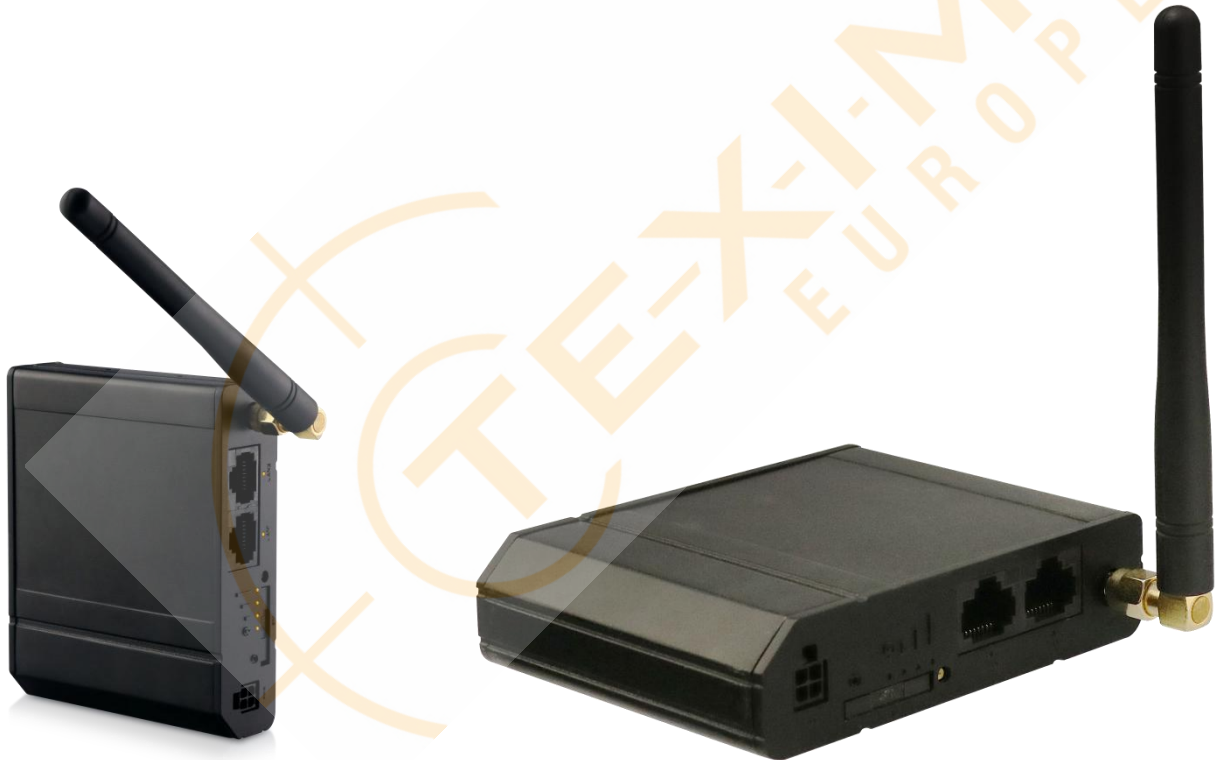
Table Index

| | |
|--------------------------------|---|
| Table 1: General features..... | 6 |
| Table 2: General hardware..... | 7 |
| Table 3: General software..... | 8 |



1 Overview

R7600E-H is 4G router with 2 x Ethernet, compact, robust and powerful device designed for industrial M2M/IoT applications. It provides security and stable Internet connectivity for Industrial applications and dedicated to SME & branches networking, self-service terminals, interactive advertising screen, lottery machine, smart locks and more scenarios.



2 Features

Table 1: General features

| Feature | Implementation |
|------------------|--|
| 4G LTE | Cat.4 with up to 150Mbps DL & 50Mbps UL |
| Easy integration | Standard DIN-Rail installation Compact Design |
| Maintainability | Support Web/CLI/SNMP/Wedora Cloud platform management Zero-traffic active platform management Cloud OTA and monitoring |
| Connectivity | SDLAN for remote access anytime anywhere Predefined APN, one touch & ready to go |
| Stability | Hardware watchdog Industrial class SIM hot plug and network self-recovery |
| Networking | MQTT/ICMP/NAT/DMZ/Port Forward Supports PPTP/L2TP/GRE/IPSec/OpenVPN/DMVPN/EzVPN Supports |

3 Hardware

Table 2: General hardware

| Hardware | Implementation | |
|-----------------------|--|--|
| Model | R7600E-H | |
| Cellular | 4G Cat.4 DL up to 150 Mbps, UL up to 50Mbps | LTE-FDD: B1/B3/B5/B7/B8/B20 WCDMA: B1/B8 GSM/GPRS: B3/B8 |
| Connectors | 1 x 4G SMA 1 x External SIM holder 1 x Reset | SMA-K 2FF Reset |
| Status LEDs | 2 x Ethernet 3 x Cellular strength | 10/100Mbps |
| Power supply | +9V~36V | 4 pin DC |
| Power consumption | Standby power consumption Working power consumption | About 100mA@12V DC About 270mA@12V DC |
| Housing | Aluminium housing, plastic panels | |
| Weight | About 120g | |
| Dimensions | 93.7×74.9×23.7(mm) | (without power connector and bracket) |
| Operating temperature | -30~+75°C | |
| Storage temperature | -40~+85°C | |
| Relative humidity | ≤95% | no condensing |

NOTE

Communication power consumption is affected by network signal strength and module network mode.

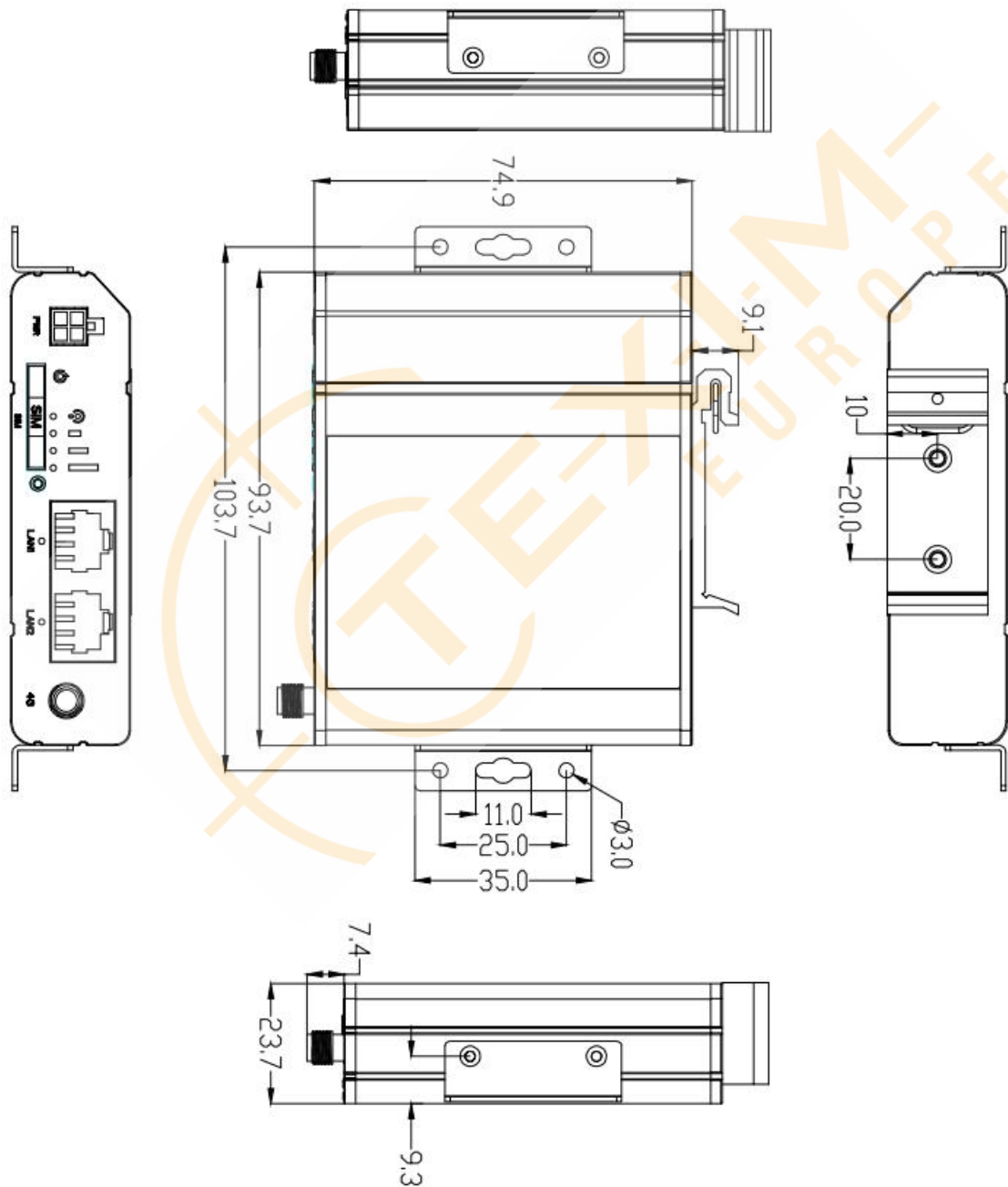
4 Software

Table 3: General software

| Software | Implementation |
|--------------------------|--|
| One Touch | Predefined config & self-adaptive PDN, auto connect 4G cellular network |
| Network protocols | TCP, UDP, IPv4, IPv6, ICMP, NTP, DHCP, DNS, HTTP, HTTPS, SSL, ARP, PPPoE, SSH, Telnet, SNMP, ICMP |
| Firewall | NAT, PAT, DMZ, Port Forward IP/Domain/MAC Filter Access Control List (ACL) |
| VPN | PPTP, L2TP, GRE, IPIP, OpenVPN IPsec IKEv2, SHA2, AES256, CA DMVPN, EzVPN, EoVPN |
| Routing | Static Routing, Policy routing, Optional (RIP, OSPF and BGP) |
| Connection monitoring | ICMP Reboot, Periodic Reboot, PING Reboot, Remote Reboot, LCP and ICMP for link inspection |
| Connection Auto-Recovery | Hardware watchdog, Heartbeat, Self-diagnostic, Auto-recover |
| Management | WEB UI, SSH, SMS, SNMP, MQTT, Telnet, Cloud Platform |
| Upgrade | WEB/TFTP/FTP, Cloud OTA |
| Cloud Platform | Statistics, Location, Group Management, IPFix, Alarm by email, Device/Platform log record, Batch config/upgrade, Traffic monitor, Secure remote access to application device |

5 Dimensions

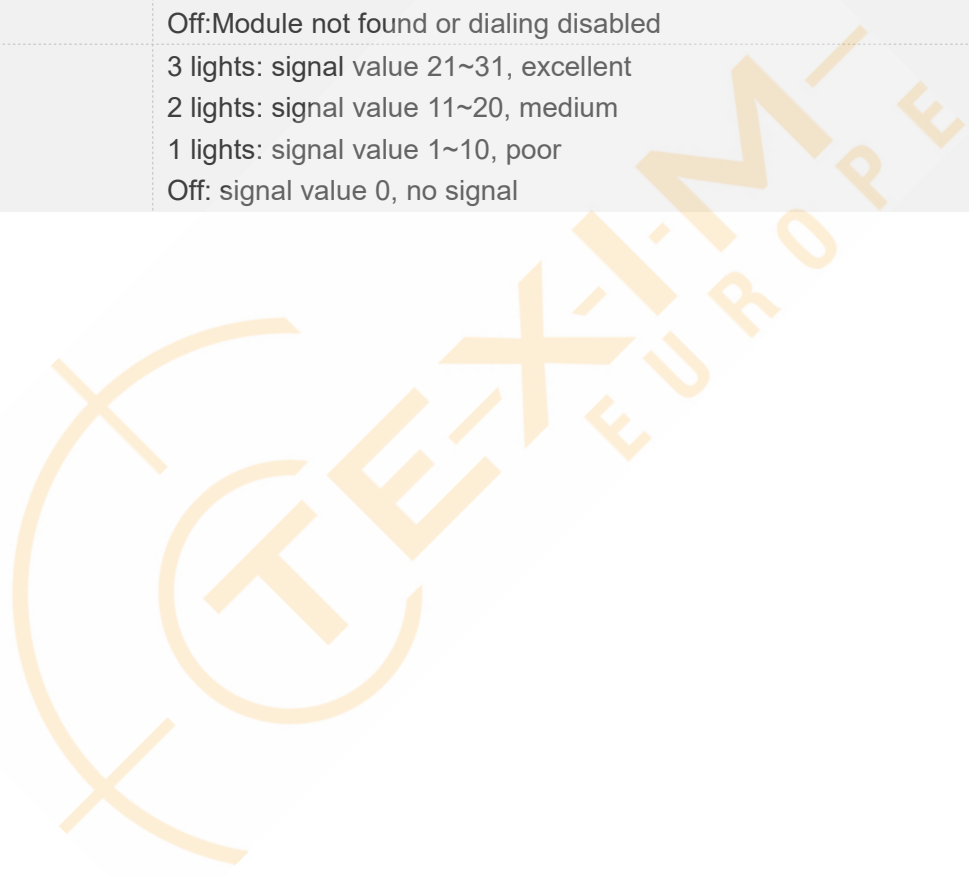
Unit: mm



6 Panel indicators

Table 4: Panel indicators

| Indicator LEDs | Status description |
|----------------|--|
| NET | Steady on: Dial-up successful, access to 3G/4G network Slow flash: Dial-up successful, access to 2.5G network Fast flash: Dialing Off: Module not found or dialing disabled |
| RF | 3 lights: signal value 21~31, excellent 2 lights: signal value 11~20, medium 1 lights: signal value 1~10, poor Off: signal value 0, no signal |



The Netherlands



Elektrostraat 17
NL-7483 PG Haaksbergen

T: +31 (0)53 573 33 33
F: +31 (0)53 573 33 30
E: nl@texim-europe.com

Belgium



Zuiderlaan 14 bus 10
B-1731 Zellik

T: +32 (0)2 462 01 00
F: +32 (0)2 462 01 25
E: belgium@texim-europe.com

UK & Ireland



St. Mary's House, Church Lane
Carlton Le Moorland
Lincoln LN5 9HS

T: +44 (0)1522 789 555
F: +44 (0)845 299 22 26
E: uk@texim-europe.com

Germany North



Bahnhofstrasse 92
D-25451 Quickborn

T: +49 (0)4106 627 07-0
F: +49 (0)4106 627 07-20
E: germany@texim-europe.com

Germany South



Martin-Kollar-Strasse 9
D-81829 München

T: +49 (0)89 436 086-0
F: +49 (0)89 436 086-19
E: germany@texim-europe.com

Austria



Warwitzstrasse 9
A-5020 Salzburg

T: +43 (0)662 216 026
F: +43 (0)662 216 026-66
E: austria@texim-europe.com

Nordic region



Sdr. Jagtvej 12
DK-2970 Hørsholm

T: +45 88 20 26 30
F: +45 88 20 26 39
E: nordic@texim-europe.com

Italy



Via Matteotti 43
IT-20864 Agrate Brianza (MB)

T: +39 (0)39 971 3293
F: +39 (0)39 971 3293
E: italy@texim-europe.com

General information



info@texim-europe.com
www.texim-europe.com