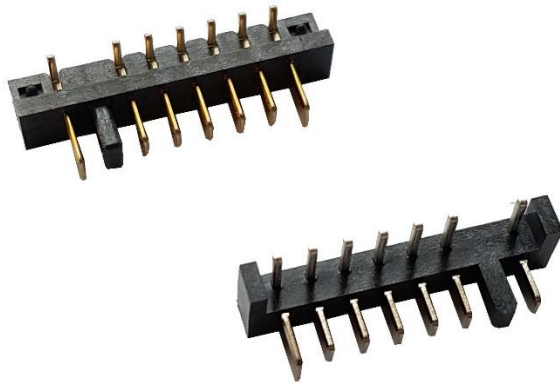


# Technical Data Sheet

## Battery Mating Connectors RRC-MC21-Series



### Battery Mating Connectors

#### Features:

- Mating connectors for standard smart batteries from RRC (e.g. RRC2130, RRC2140,...)
- 7A max. charge or discharge current to battery
- 7-pin male connectors
- 2.5mm pitch
- RoHS compatible

#### Applications:

- Mating connectors for RRC's smart batteries used in medical and industrial applications

### Specification

<b>Ratings</b>	
Current	7A max. / pin
Voltage	30V DC
<b>Materials</b>	
Housing	Thermoplastic High Temperature, UL 94V-0, black
Contacts	Copper Alloy
Plating	50µm Nickel on contact area 100µm Matte-Tin on solder tails
<b>Environmental Condition</b>	
Operating Temperature	-40°C to +105°C

<b>Electrical Requirements</b>	
Contact Resistance	40mOhm max.
Insulation Resistance	100MOhm min. at 500VDC/1min
Dielectric withstand	500VAC/1min
<b>Mechanical Requirements</b>	
Contact Retention Force	300g min. / pin
<b>Physical Requirements</b>	
Solder Temperature	245°C ± 5°C
Immersion Period	5 ± 0.5sec
<b>Regulatory Approvals</b>	
RoHS	

<b>RRC-MC21-90-10</b>	
RRC part number	211268
PCB mounting	90°
<b>Mechanical Requirements</b>	
Dimensions (LxWxH)	22.50mm x 7.20mm x 5.85mm
Weight	Typical 1g
<b>Packaging</b>	
27 connectors per tube 168 tubes per carton	

<b>RRC-MC21-90-20</b>	
RRC part number	211278
PCB mounting	90° PCB edge mounting
<b>Mechanical Requirements</b>	
Dimensions (LxWxH)	24.5mm x 9.50mm x 4.50mm
Weight	Typical 1g
<b>Packaging</b>	
24 connectors per tube 200 tubes per carton	

Distributed by:



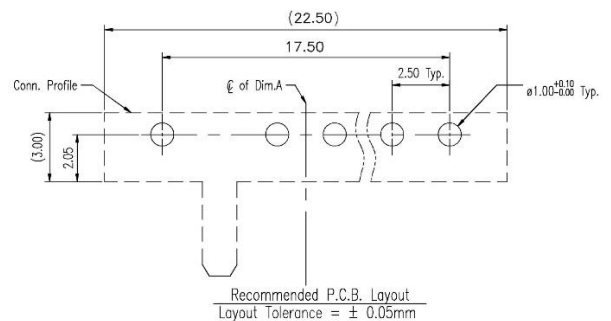
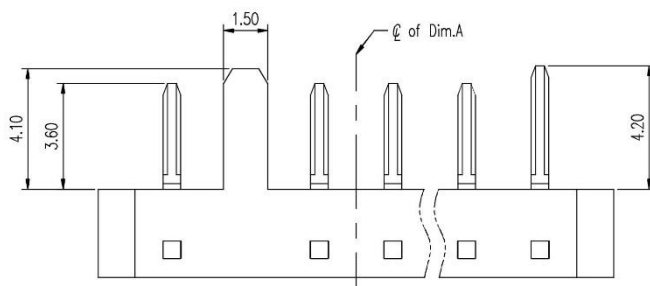
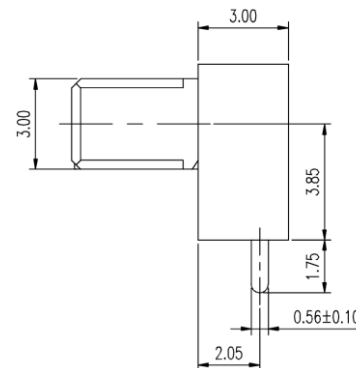
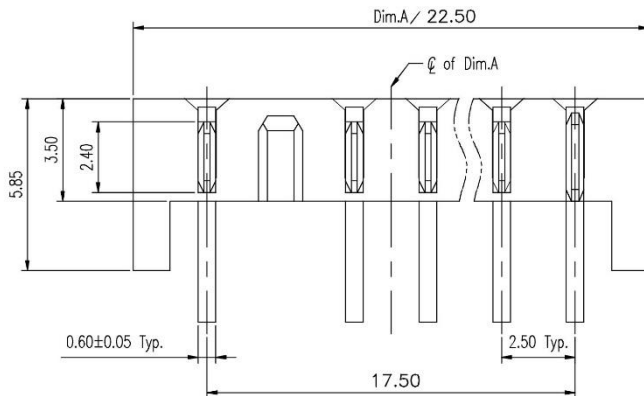
Germany/Headquarters	USA	Hong Kong	China
RRC power solutions GmbH Technologiepark 1 D-66424 Homburg / Saar	RRC power solutions Inc. 18340 Yorba Linda Blvd., Suite 107-437 Yorba Linda, CA 92886-4104	RRC power solutions Ltd. S-V,6/F, Valiant Industrial Centre 2-12 Au Pui Wan Street Fo Tan, N.T., Hong Kong	RRC power solutions Ltd. Room 520, Yuanlin Building, Aiguo Road No. 3066, Luohu District, Shenzhen 518021
Tel.: +49 6841 98090 Fax: +49 6841 9809280 Email: sales@rrc-ps.de Web: www.rrc-ps.de	Tel.: +1 714 777 3604 Fax: +1 714 777 3658 Email: usa@rrc-ps.com Web: www.rrc-ps.com	Tel.: +852 2376 0106 Fax: +852 2375 0107 Email: hkrrc@rrc-ps.cn Web: www.rrc-ps.com	Tel.: +86 755 8374 1908 Fax: +86 755 8374 1861 Email: hkrrc@rrc-ps.cn Web: www.rrc-ps.com

# Technical Data Sheet

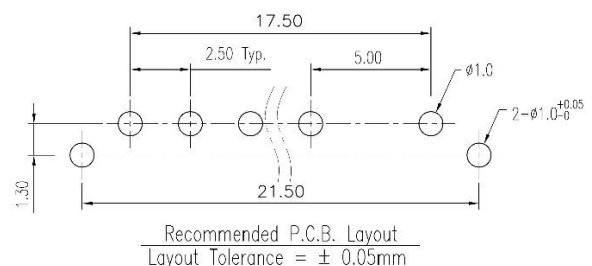
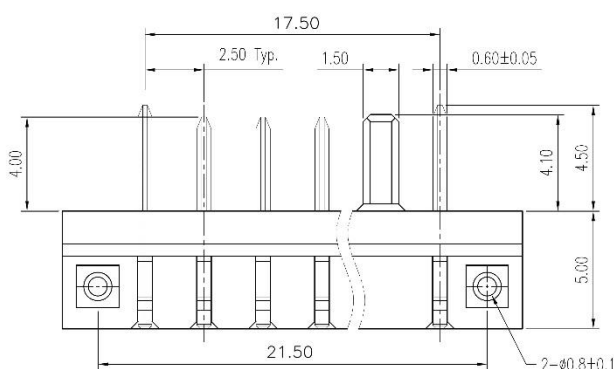
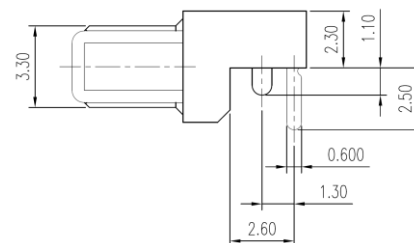
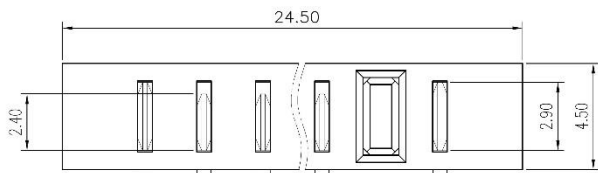
## Battery Mating Connectors RRC-MC21-Series



### RRC-MC21-90-10



### RRC-MC21-90-20



To facilitate a fast design-in process for developers, RRC is providing 3D data of the mating connectors and the battery housings of RRC smart batteries. Please contact your RRC representative. For further information on the RRC smart batteries please refer to the RRC website ([www.rrc-ps.com](http://www.rrc-ps.com)).

Germany/Headquarters	USA	Hong Kong	China
RRC power solutions GmbH Technologiepark 1 D-66424 Homburg / Saar	RRC power solutions Inc. 18340 Yorba Linda Blvd., Suite 107-437 Yorba Linda, CA 92886-4104	RRC power solutions Ltd. S-V,6/F, Valiant Industrial Centre 2-12 Au Pui Wan Street Fo Tan, N.T., Hong Kong	RRC power solutions Ltd. Room 520, Yuanlin Building, Aiguo Road No. 3066, Luohu District, Shenzhen 518021
Tel.: +49 6841 98090 Fax: +49 6841 9809280 Email: <a href="mailto:sales@rrc-ps.de">sales@rrc-ps.de</a> Web: <a href="http://www.rrc-ps.de">www.rrc-ps.de</a>	Tel.: +1 714 777 3604 Fax: +1 714 777 3658 Email: <a href="mailto:usa@rrc-ps.com">usa@rrc-ps.com</a> Web: <a href="http://www.rrc-ps.com">www.rrc-ps.com</a>	Tel.: +852 2376 0106 Fax: +852 2375 0107 Email: <a href="mailto:hkrcc@rrc-ps.cn">hkrcc@rrc-ps.cn</a> Web: <a href="http://www.rrc-ps.com">www.rrc-ps.com</a>	Tel.: +86 755 8374 1908 Fax: +86 755 8374 1861 Email: <a href="mailto:hkrcc@rrc-ps.cn">hkrcc@rrc-ps.cn</a> Web: <a href="http://www.rrc-ps.com">www.rrc-ps.com</a>

## The Netherlands



Elektrostraat 17  
NL-7483 PG Haaksbergen

T: +31 (0)53 573 33 33  
F: +31 (0)53 573 33 30  
E: [nl@texim-europe.com](mailto:nl@texim-europe.com)

## Belgium



Zuiderlaan 14 bus 10  
B-1731 Zellik

T: +32 (0)2 462 01 00  
F: +32 (0)2 462 01 25  
E: [belgium@texim-europe.com](mailto:belgium@texim-europe.com)

## UK & Ireland



St. Mary's House, Church Lane  
Carlton Le Moorland  
Lincoln LN5 9HS

T: +44 (0)1522 789 555  
F: +44 (0)845 299 22 26  
E: [uk@texim-europe.com](mailto:uk@texim-europe.com)

## Germany North



Bahnhofstrasse 92  
D-25451 Quickborn

T: +49 (0)4106 627 07-0  
F: +49 (0)4106 627 07-20  
E: [germany@texim-europe.com](mailto:germany@texim-europe.com)

## Germany South



Martin-Kollar-Strasse 9  
D-81829 München

T: +49 (0)89 436 086-0  
F: +49 (0)89 436 086-19  
E: [germany@texim-europe.com](mailto:germany@texim-europe.com)

## Austria



Warwitzstrasse 9  
A-5020 Salzburg

T: +43 (0)662 216 026  
F: +43 (0)662 216 026-66  
E: [austria@texim-europe.com](mailto:austria@texim-europe.com)

## Nordic region



Sdr. Jagtvej 12  
DK-2970 Hørsholm

T: +45 88 20 26 30  
F: +45 88 20 26 39  
E: [nordic@texim-europe.com](mailto:nordic@texim-europe.com)

## General information



[info@texim-europe.com](mailto:info@texim-europe.com)  
[www.texim-europe.com](http://www.texim-europe.com)