

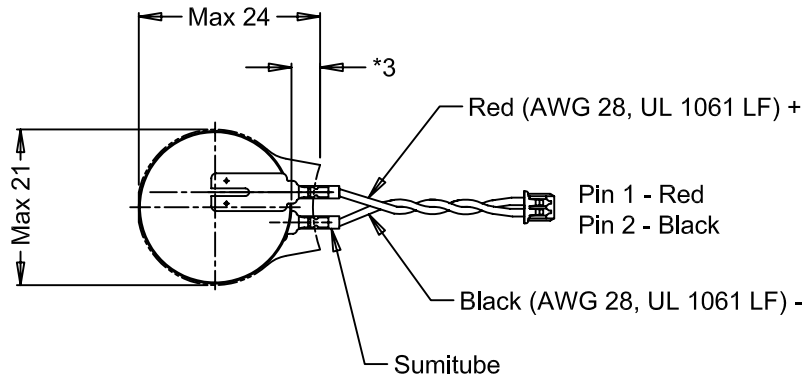
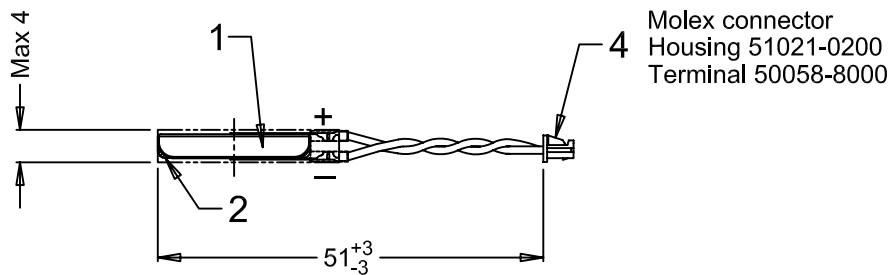
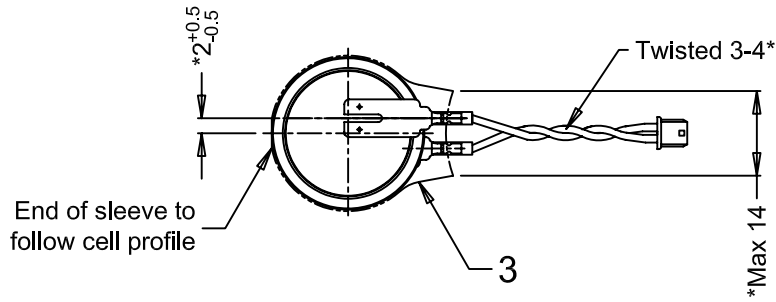
# VARTA Microbattery

mobility for you

This is a controlled document.

Hardcopy to be endorsed by authorized person.

Check with Issuing Office or SAP system for latest update.



Note : \* Dimensions for reference only.

Approx. wt : 5 g

No	AO No	Revisions	1	Date	Name
1	C026/05	Crimp-tags was solder-tags		2005-04-19	Ratna
0	T030/04	Refer to p/n: P08-00051, rev.001		2004-05-13	Ratna

Projection:		Material: Refer to part list: 074592		Description: CR2032 S WC with shrink sleeve & wires with connector		
Dimensions in mm		Prepared & Checked		Verified & Approved		Dwg. No: 074592
Tolerance: As specified		2004-12-29		Ratna		VKB Order No: 06032 101 031
Scale: 1 : 1						4 0 1

Rights reserved to make technical changes, as a result of further development, without notice. This drawing is the property of VARTA Microbattery and must not be copied or disclosed to a third party without the written consent of VARTA Microbattery.

