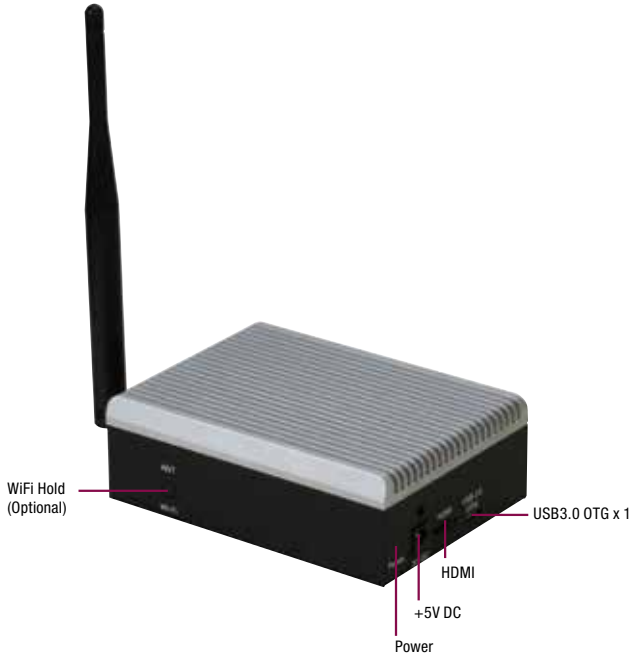


15 UP-GWS02L

LoRa Certified Intel® Based Gateway and Network Server

Front View



Rear View



Features

- Intel® Atom™ x5-Z8350 SOC
- Onboard 4 GB DDR3L Memory, 64 GB eMMC Storage
- Gigabit LAN x 1, HDMI x 1
- USB 2.0 x 4, USB 3.0 OTG x 1
- LORA Function Supported
- SX1301 Base Band Processor
- Supports Frequency Band 868 MHz

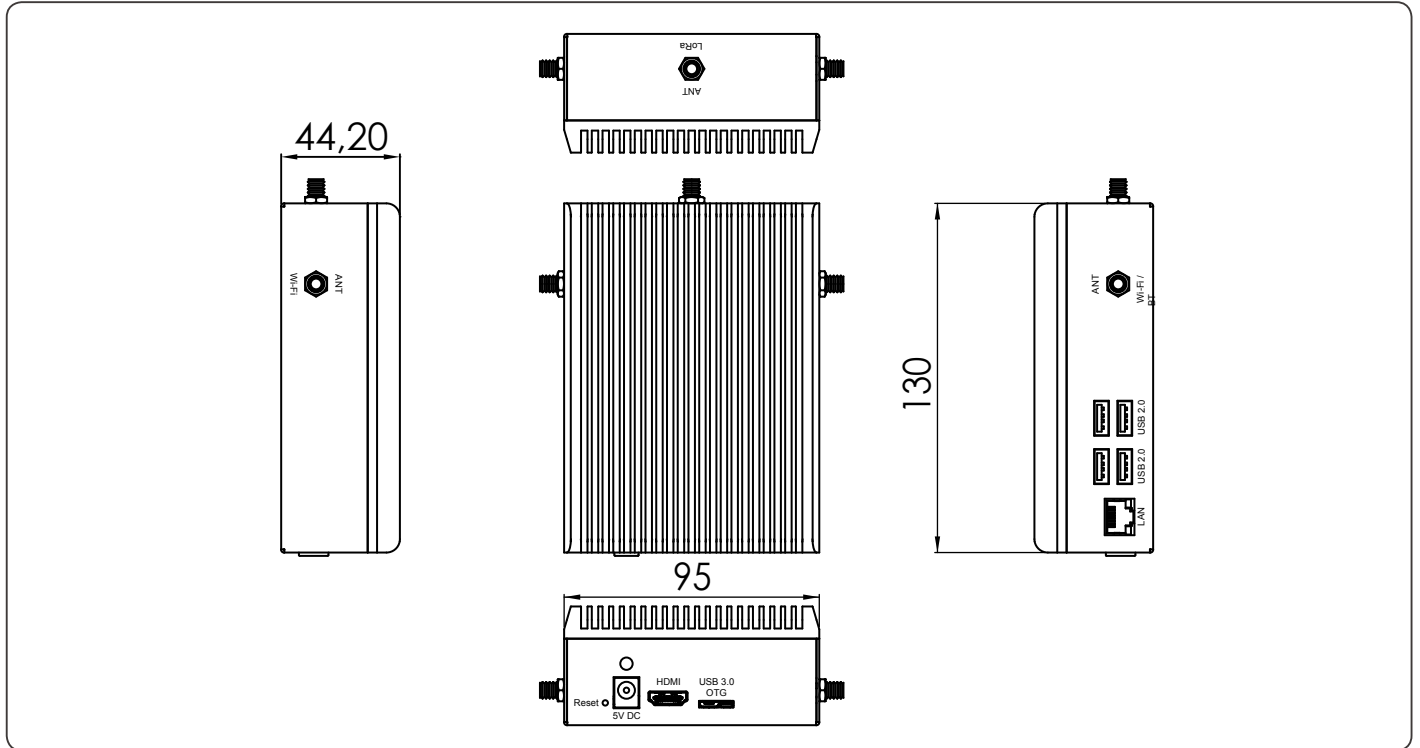


Specifications

System	
CPU	Intel® Atom™ x5-z8350 SoC
Memory	Onboard 4GB DDR3L-1600 memory
Graphics	Intel® HD 400 Graphics ,12 EU GEN 8, up to 500MHz Support DX*11.1/12, Open GL*4.2, Open CL*1.2 OGL ES3.0, H.264, HEVC (decode), VP8
Storage	64 GB eMMC on board x 1
Ethernet	Realtek 8111G x 1
Audio	HDMI Audio x 1
USB	USB2.0 x 4, USB 3.0 OTG x 1
LORA function	Frequency band 868MHz Sensitivity down to -138 dBm Tx/Rx front-ends x 2 RF interface optimized to 50Ω Output power level up to 20 dBm Range up to 15 km (Line of Sight)
I/O Placements	
External I/O Connector	RJ45 Connector x 1 HDMI Connector x 1 USB 2.0 Stack Connector x 2 USB 3.0 OTG x 1 DC connector x 1
Others	
Power	5V DC Only
Form Factor	130 mm x 95 mm x 44.2 mm
Operating Temperature	0°C - 50°C
Operating Humidity	0% - 90% relative humidity, non-condensing
Certification	CE
OS Support	Ubilinux

Dimension

Unit: mm



Ordering Information

Product SKU	Description
UP-GWS02L-A10-0464	UP-GWS02L, w/4G memory, 64G Emmc board, LoRa w/o VESA plate
UP-GWS02L-A10-1464	UP-GWS02L, w/4G memory, 64G Emmc board, LoRa w/VESA plate

Packing List

- UP-GWS02L
- LoRa Antenna

Optional Accessories

- 9751AIQA00
Din-Rail Mounting Accessory