

Technical Data Sheet

Battery Mating Connectors RRC-MC20-Series



Battery Mating Connectors

Features:

- Mating connectors for standard smart batteries from RRC (e.g. RRC2020, RRC2024, RRC2040, RRC2040-2, RRC2054, RRC2057, ...)
- 10A max. charge or discharge current to battery
- 5-pin male connectors
- 5mm pitch
- RoHS compatible

Applications:

- Mating connectors for RRC's smart batteries used in medical and industrial applications

Specification

Ratings	
Current	10A max. / pin
Voltage	125V AC / 1min
Materials	
Housing	Thermoplastic High Temperature, UL 94V-0, black
Contacts	Copper Alloy
Plating	80µm Nickel on contact area 100µm Matte-Tin on solder tails
Environmental Condition	
Operating Temperature	-55°C to +105°C

Electrical Requirements	
Contact Resistance	30mOhm max.
Insulation Resistance	100MOhm min. at 500VDC/2min
Dielectric withstand	500V
Mechanical Requirements	
Contact Retention Force	500g min. / pin
Physical Requirements	
Solder Temperature	245°C ± 5°C
Immersion Period	3 ± 0.5sec
Regulatory Approvals	
RoHS	

RRC-MC20-180-10	
RRC part number	210518
PCB mounting	180°
Mechanical Requirements	
Dimensions (LxWxH)	25mm x 11.70mm x 9.80mm
Weight	Typical 3g
Packaging	
24 connectors per tube 110 tubes per carton	

RRC-MC20-90-10	
RRC part number	210519
PCB mounting	90°
Mechanical Requirements	
Dimensions (LxWxH)	27mm x 13.70mm x 9.90mm
Weight	Typical 3g
Packaging	
22 connectors per tube 77 tubes per carton	

Distributed by:



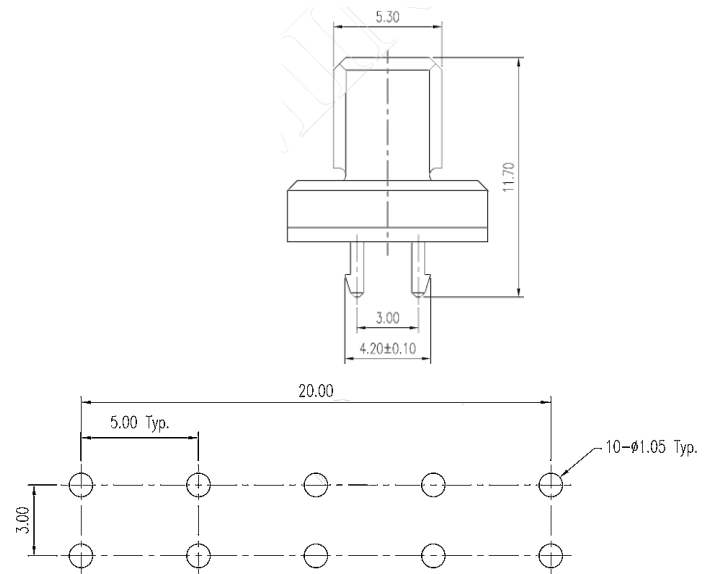
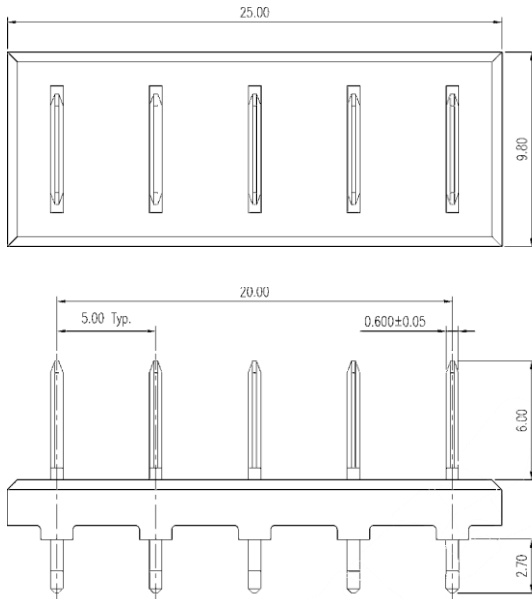
Germany/Headquarters	USA	Hong Kong	China
RRC power solutions GmbH Technologiepark 1 D-66424 Homburg / Saar	RRC power solutions Inc. 18340 Yorba Linda Blvd., Suite 107-437 Yorba Linda, CA 92886-4104	RRC power solutions Ltd. S-V,6/F, Valiant Industrial Centre 2-12 Au Pui Wan Street Fo Tan, N.T., Hong Kong	RRC power solutions Ltd. Room 520, Yuanlin Building, Aiguo Road No. 3066, Luohu District, Shenzhen 518021
Tel.: +49 6841 98090 Fax: +49 6841 9809280 Email: sales@rrc-ps.de Web: www.rrc-ps.de	Tel.: +1 714 777 3604 Fax: +1 714 777 3658 Email: usa@rrc-ps.com Web: www.rrc-ps.com	Tel.: +852 2376 0106 Fax: +852 2375 0107 Email: hkrrc@rrc-ps.cn Web: www.rrc-ps.com	Tel.: +86 755 8374 1908 Fax: +86 755 8374 1861 Email: hkrrc@rrc-ps.cn Web: www.rrc-ps.com

Technical Data Sheet

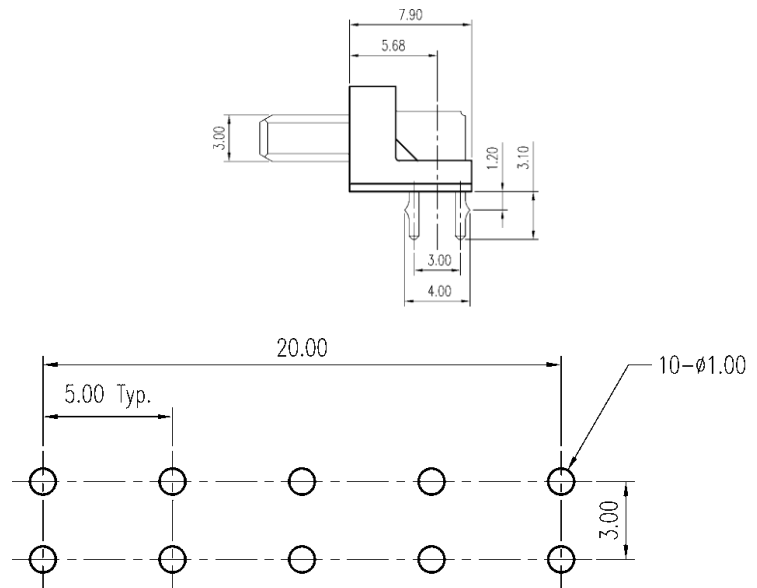
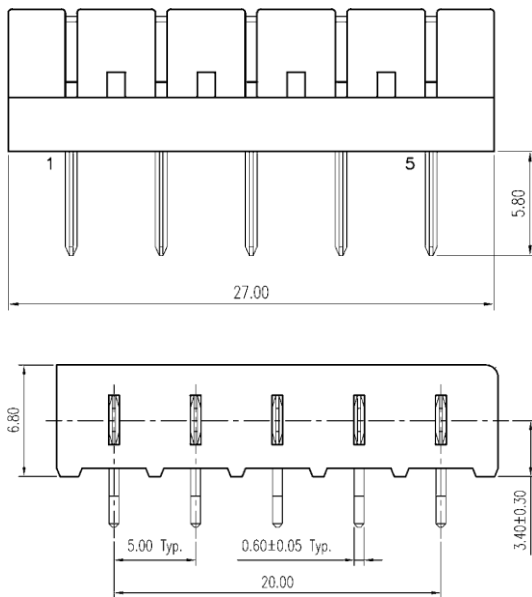
Battery Mating Connectors RRC-MC20-Series



RRC-MC20-180-10



RRC-MC20-90-10



To facilitate a fast design-in process for developers, RRC is providing 3D data of the mating connectors and the battery housings of RRC smart batteries. Please contact your RRC representative. For further information on the RRC smart batteries please refer to the RRC website (www.rrc-ps.com).

Germany/Headquarters	USA	Hong Kong	China
RRC power solutions GmbH Technologiepark 1 D-66424 Homburg / Saar	RRC power solutions Inc. 18340 Yorba Linda Blvd., Suite 107-437 Yorba Linda, CA 92886-4104	RRC power solutions Ltd. S-V,6/F, Valiant Industrial Centre 2-12 Au Pui Wan Street Fo Tan, N.T., Hong Kong	RRC power solutions Ltd. Room 520, Yuanlin Building, Aiguo Road No. 3066, Luohu District, Shenzhen 518021
Tel.: +49 6841 98090 Fax: +49 6841 9809280 Email: sales@rrc-ps.de Web: www.rrc-ps.de	Tel.: +1 714 777 3604 Fax: +1 714 777 3658 Email: usa@rrc-ps.com Web: www.rrc-ps.com	Tel.: +852 2376 0106 Fax: +852 2375 0107 Email: hkrcc@rrc-ps.cn Web: www.rrc-ps.com	Tel.: +86 755 8374 1908 Fax: +86 755 8374 1861 Email: hkrcc@rrc-ps.cn Web: www.rrc-ps.com

The Netherlands



Elektrostraat 17
NL-7483 PG Haaksbergen

T: +31 (0)53 573 33 33
F: +31 (0)53 573 33 30
E: nl@texim-europe.com

Belgium



Zuiderlaan 14 bus 10
B-1731 Zellik

T: +32 (0)2 462 01 00
F: +32 (0)2 462 01 25
E: belgium@texim-europe.com

UK & Ireland



St. Mary's House, Church Lane
Carlton Le Moorland
Lincoln LN5 9HS

T: +44 (0)1522 789 555
F: +44 (0)845 299 22 26
E: uk@texim-europe.com

Germany North



Bahnhofstrasse 92
D-25451 Quickborn

T: +49 (0)4106 627 07-0
F: +49 (0)4106 627 07-20
E: germany@texim-europe.com

Germany South



Martin-Kollar-Strasse 9
D-81829 München

T: +49 (0)89 436 086-0
F: +49 (0)89 436 086-19
E: germany@texim-europe.com

Austria



Warwitzstrasse 9
A-5020 Salzburg

T: +43 (0)662 216 026
F: +43 (0)662 216 026-66
E: austria@texim-europe.com

Nordic region



Sdr. Jagtvej 12
DK-2970 Hørsholm

T: +45 88 20 26 30
F: +45 88 20 26 39
E: nordic@texim-europe.com

General information



info@texim-europe.com
www.texim-europe.com