



GET IN
TOUCH

RAFIX 30 FS⁺

Perfect design.

CONTROL COMPONENTS

RAFIX 30 FS+ CONTROL COMPONENTS

RAFIX 30 FS+

DESIGNED TO PERFECTION

RAFIX 30 FS+ stands out for all the benefits of the control component series RAFIX 22 FS+ plus extra flat lenses and a low overall height. On request, the pushbuttons in this series can be individually equipped with SMD LEDs or a MICON 5 tactile switch for improved haptic perception. In short: The flat alternative for users with extremely high design standards.

SLIM

- Designs with PCB contact blocks feature a distance between the front panel and printed circuit board of only 15.8 mm.
- With QC contact blocks, only 33 mm of space is needed behind the front panel.

Combinable with all contact blocks and accessories with RAFIX FS technology

- PCB or QC contact blocks
- Gold contacts from 5 V or silver contacts up to 250 V
- Short-travel adapter enables short-travel actuation (1 mm switching travel) with perceptible key click
- Variable illumination, compatible with 3 mm THT LEDs / SMT LEDs or LED clip

The RAFIX 30 FS+ series has a variety of actuators and signal indicators

Pushbuttons

- Illuminable
- Optional FLEXLAB with exchangeable legend insert

Selector switches

- Rotating angle 40°, 60° or 90°
- Latching or momentary
- Illuminable

Keylock switches

- Rotating angle 40° or 90°
- Latching or momentary

Signal indicators

- Green, yellow, red, blue or white

USB grommet

- USB type A to USB type B
- With protective cap

Approvals

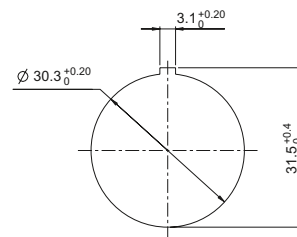
- IEC 60947-5-1/5
- UL
- CCC



Mounting hole

The actuators in the RAFIX 30 FS+ series are designed for 30.3 mm mounting holes.

All actuators are equipped with a locating pip. This locating pip ensures a perfect fit for actuators and contact blocks with PCB-mounted components and is therefore essential for designs including these contact blocks.



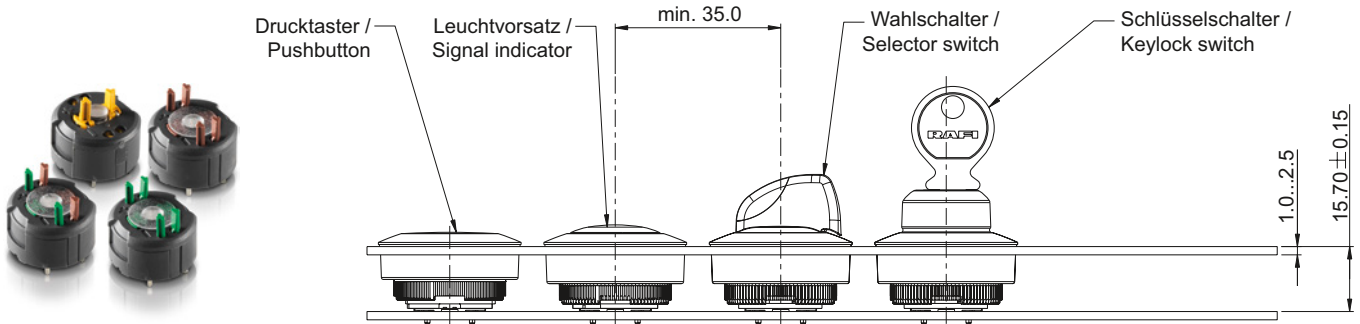
Grid spacing

The design principle makes it possible to use a minimum grid spacing of 35 mm x 35 mm. When choosing the grid spacing, it is recommended to consider any external legending required (for example, using label strips inserted into the front panel).



RAFIX 30 FS+

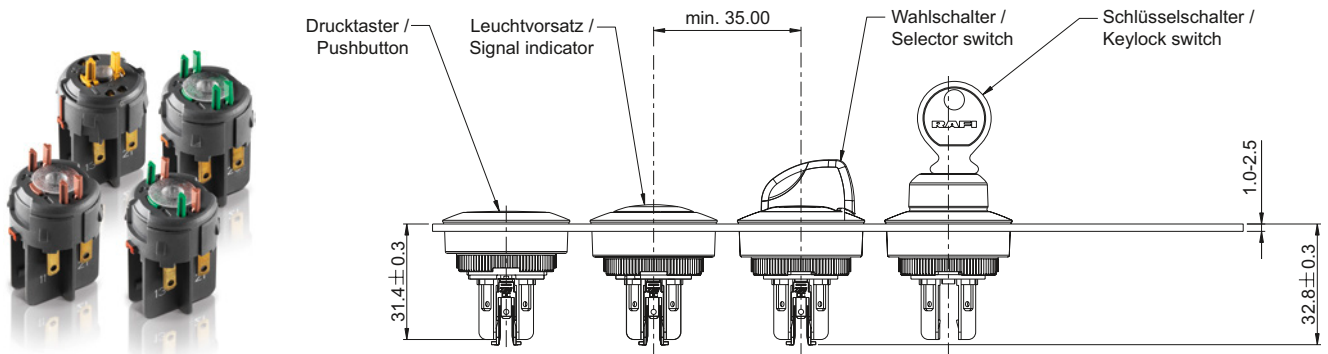
RAFIX 30 FS+ with PCB contact block



For printed circuit board hole patterns, see RAFIX 22 FS-Technology contact blocks

<p>Formula for spacer length</p> <p>15.8 mm</p> <p>- Front panel thickness</p> <hr/> <p>Length of spacer</p>

RAFIX 30 FS+ with QC contact block



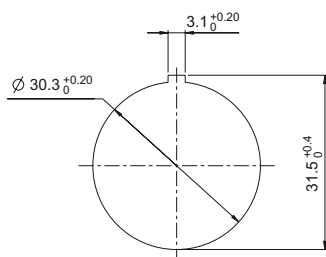
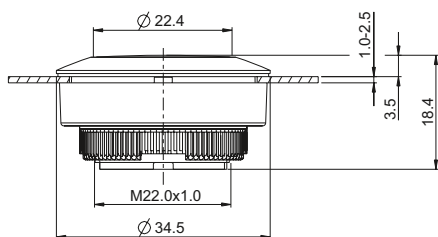
For matching contact blocks and accessories, see chapter „RAFIX FS Technology“ in the RAFI catalog „Electromechanical components“ or www.rafi.de/downloads.

CONTROL COMPONENTS

RAFIX 30 FS+ - ACTUATORS



NEW



RAFIX 30 FS+ Pushbuttons

- The RAFIX 30 FS+ pushbuttons offer large actuating areas with a low overall height. They are available in different lens colors and with full area illumination. Labeling on request.

Technical Data

→ General information

Form of lens	flush
Color of lens	see order block
Front ring	stainless steel
Form of collar	round

→ Dimensions

Dimensions of collar	ø 34.5 mm
Overall height	3.45 mm
Mounting hole	30.3 mm
Key grid	min. 35 x 35 mm

→ Mechanical design

Mounting	threaded rings + adapters
Contact function	see order block
Illuminability	see order block
Torque for nut ring	1.2 Nm

→ Mechanical characteristics

Operating travel	4 mm
Robustness max.	100 N

→ Other specifications

Ambient temp. operating min.	-25 °C
Ambient temp. operating max.	+70 °C
Storage temperature min.	-40 °C
Storage temperature max.	+80 °C
Operating life	1,000,000 momentary / 500,000 latching
B10	1,300,000 momentary / 650,000 latching
Degree of protection from front side	IP65 (DIN EN 60529)
Environmental resistance	acc. to IEC 60068-2-14, -30, -33 and -78
Salt spray	IEC 600 68-2-11
ROHS compliant	yes
REACH compliant	yes

Approvals



UL 508 in preparation







CCC in preparation

Accessories RAFIX 30 FS+ - Pushbuttons

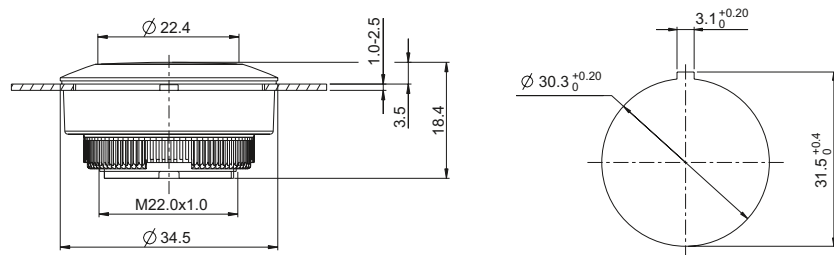
→ Description	Photo	Order no.	Additional accessories see page
RAFIX FS - Contact block PCB gold, Universal		-	-
RAFIX FS - Contact block PCB gold, Universal, with light conductor		-	-
RAFIX FS - Contact block PCB silver, Universal		-	-
RAFIX FS - Contact block PCB silver, Universal, with light conductor		-	-

**- Table (continued) -
Accessories RAFIX 30 FS+ - Pushbuttons**

→ Description	Photo	Order no.	Additional accessories see page
RAFIX FS - Contact block QC gold, Universal, with light conductor		-	-
RAFIX FS - Contact block QC silver, Universal, with light conductor		-	-
Fixing spanner for ring nut		5.05.800.062/0000	-
Retaining ring for front panel thickness 2.5 ... 4 mm		5.45.201.556/0700	-

RAFIX 30 FS+ Pushbutton

Technical data see page 4



NEW

Color of lens	Illuminability	Order no.	
		Contact function momentary	Contact function latching
translucent red	yes	1.30.290.021/2300	1.30.290.031/2300
translucent yellow	yes	1.30.290.021/2400	1.30.290.031/2400
translucent green	yes	1.30.290.021/2500	1.30.290.031/2500
translucent blue	yes	1.30.290.021/2600	1.30.290.031/2600
translucent white	yes	1.30.290.021/2200	1.30.290.031/2200
opaque black	no	1.30.290.021/0100	1.30.290.031/0100

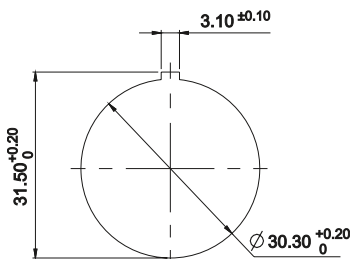
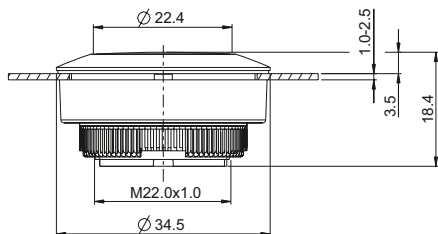
Legending on request.

CONTROL COMPONENTS

RAFIX 30 FS⁺ - ACTUATORS



NEW



RAFIX 30 FS⁺ Pushbuttons FLEXLAB



→ The RAFIX 30 FS⁺ FLEXLAB pushbutton allows individual control component labeling. A DIN A4 label sheet with pre-cut labels which fits in customary office laser printers is available for this option. After the legend inserts are printed, the labels can be detached from the sheet and inserted into the colored lens using the fine stop tabs.

Technical Data

→ General information

Form of lens	flush
Color of lens	see order block
Front ring	stainless steel
Form of collar	round

→ Dimensions

Dimensions of collar	ø 34.5 mm
Overall height	3.45 mm
Mounting hole	30.3 mm
Key grid	min. 35 x 35 mm

→ Mechanical design

Mounting	threaded rings + adapters
Contact function	see order block
Illuminability	yes
Torque for nut ring	1.2 Nm

→ Mechanical characteristics

Operating travel	4 mm
Robustness max.	100 N

→ Other specifications

Ambient temp. operating min.	-25 °C
Ambient temp. operating max.	+70 °C
Storage temperature min.	-40 °C
Storage temperature max.	+80 °C
Operating life	1,000,000 momentary / 500,000 latching
B10	1,300,000 momentary / 650,000 latching
Degree of protection from front side	IP65 (DIN EN 60529)
Environmental resistance	acc. to IEC 60068-2-14, -30, -33 and -78
Salt spray	IEC 600 68-2-11
ROHS compliant	yes
REACH compliant	yes

Approvals



UL 508 in
preparation



CCC in
preparation

Distributed by:



www.texim-europe.com

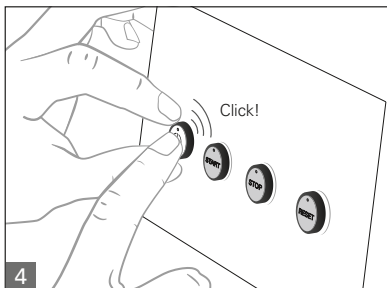
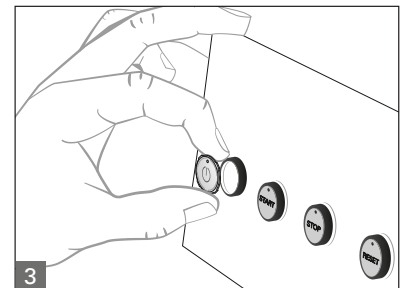
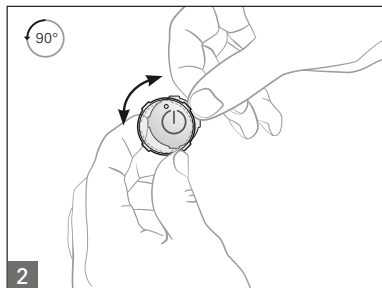
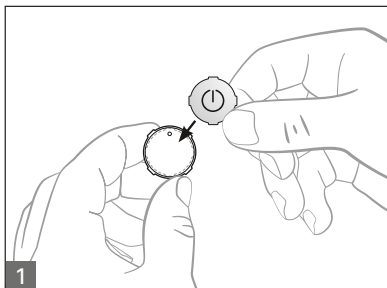
Accessories RAFIX 30 FS+ - Pushbuttons FLEXLAB

→ Description	Photo	Order no.	Additional accessories see page
RAFIX FS - Contact block PCB gold, Universal, with light conductor		-	-
RAFIX FS - Contact block PCB silver, Universal, with light conductor		-	-
RAFIX FS - Contact block QC gold, Universal, with light conductor		-	-
RAFIX FS - Contact block QC silver, Universal, with light conductor		-	-
Fixing spanner for ring nut		5.05.800.062/0000	-
Retaining ring for front panel thickness 2.5 ... 4 mm		5.45.201.556/0700	-

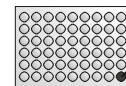
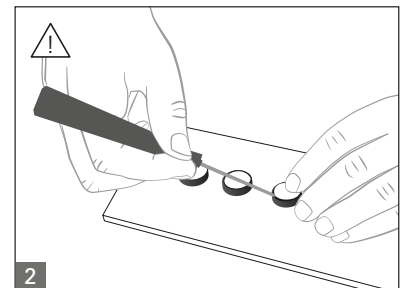
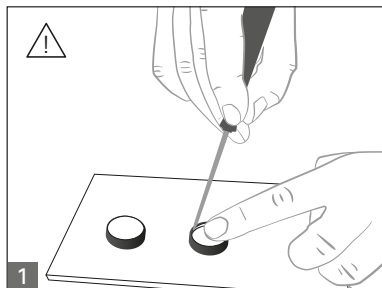
RAFI FLEXLAB

MONTAGEANLEITUNG | ASSEMBLY INSTRUCTIONS | 安装说明

MONTAGE ASSEMBLY 安装



DEMONTAGE DISASSEMBLY 拆除



Beschriftungsbogen
Labeling sheet
标签板



Schrifteinlage
Legend Insert
符号插片



Farblende
Color lens
灯罩

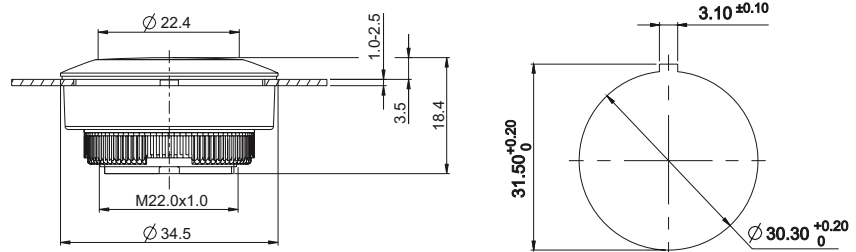
CONTROL COMPONENTS

RAFIX 30 FS⁺ - ACTUATORS



RAFIX 30 FS⁺ Pushbutton FLEXLAB

Technical data see page 6



Form of collar

Order no.

Contact function
momentary

Contact function
latching

round

1.30.290.921/0000

1.30.290.931/0000

Accessoires:

- Colored lens for RAFIX FS⁺ Pushbuttons FLEXLAB, colorless: 5.49.263.062/1000
- Colored lens for RAFIX FS⁺ Pushbuttons FLEXLAB, red: 5.49.263.062/1300
- Colored lens for RAFIX FS⁺ Pushbuttons FLEXLAB, yellow: 5.49.263.062/1400
- Colored lens for RAFIX FS⁺ Pushbuttons FLEXLAB, green: 5.49.263.062/1500
- Colored lens for RAFIX FS⁺ Pushbuttons FLEXLAB, blue: 5.49.263.062/1600
- DIN A4 label sheet with 6x9 lenses in total utility: 5.70.800.200/0000

RAFIX 30 FS+ Selector switches

→ The marks on the selector switch turning handle are translucent and can be illuminated if required. Colored LEDS or LED clips can be used for colored illuminations.

Technical Data

→ General information

Actuator	handle
Marking of handle	translucent white
Front ring	stainless steel
Form of collar	round

→ Dimensions

Dimensions of collar	ø 34.5 mm
Overall height	17.43 mm
Mounting hole	30.3 mm
Key grid	min. 35 x 35 mm

→ Mechanical design

Mounting	threaded rings + adapters
Contact function	see order block
Illuminability	yes
Rotating angle	see order block
Torque for nut ring	1.2 Nm

→ Mechanical characteristics

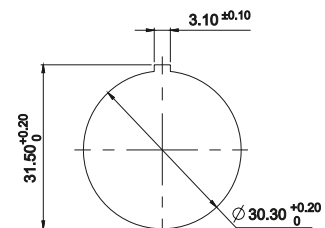
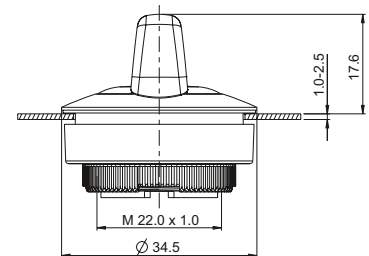
Torque max.	1.5 Nm
-------------	--------

→ Other specifications

Ambient temp. operating min.	-25 °C
Ambient temp. operating max.	+70 °C
Operating life (operations)	500,000 momentary / 300,000 latching
Operating life (operations)	650,000 momentary / 400,000 latching
Degree of protection from front side	IP65 (DIN EN 60529)
Storage temperature min.	-40 °C
Storage temperature max.	+80 °C
Environmental resistance	acc. to IEC 60068-2-14, -30, -33 and -78
Salt spray	IEC 600 68-2-11
ROHS compliant	yes
REACH compliant	yes



NEW



Approvals



UL 508 in preparation



in preparation





Accessories RAFIX 30 FS+ - Selector switches

Description	Photo	Order no.	Additional accessories see page
RAFIX FS - Contact block PCB gold, Universal		-	-
RAFIX FS - Contact block PCB gold, Universal, with light conductor		-	-
RAFIX FS - Contact block PCB silver, Universal		-	-
RAFIX FS - Contact block PCB silver, Universal, with light conductor		-	-

CONTROL COMPONENTS

RAFIX 30 FS⁺ - ACTUATORS

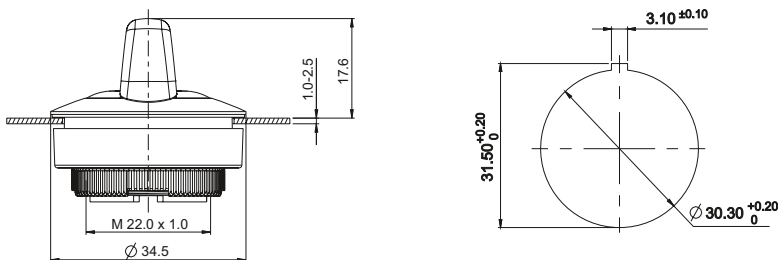
**- Table (continued) -
Accessories RAFIX 30 FS⁺ - Selector switches**


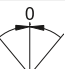


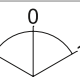
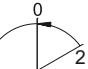
→ Description	Photo	Order no.	Additional accessories see page
RAFIX FS - Contact block QC gold, Universal, with light conductor		-	-
RAFIX FS - Contact block QC silver, Universal, with light conductor		-	-
Fixing spanner for ring nut		5.05.800.062/0000	-
Retaining ring for front panel thickness 2.5 ... 4 mm		5.45.201.556/0700	-



RAFIX 30 FS⁺ Selector switch

Technical data see page 9



→ Illuminability	Contact function	Rotating angle		Order no.
yes	momentary	1 x 40°		1.30.292.002/2200
yes	momentary	2 x 40°		1.30.292.027/2200
yes	latching	1 x 90°, L shape		1.30.292.102/2200
yes	latching	1 x 90°, V shape		1.30.292.202/2200
yes	latching	2 x 60°		1.30.292.302/2200
yes	90° latching, 40° momentary	1 x 90° / 1 x 40°		1.30.292.427/2200

RAFIX 30 FS+ Keylock switches

→ The RAFIX 30 FS+ keylock switches feature an extremely compact design which is consistent with the overall concept of RAFIX 30 FS+. Two keys respectively are included in the delivery. Customer-specific closings are possible on request.

The locking systems we use were created according to DIN EN 1303 by leading lock manufacturers. They are open, mechanical systems that require occasional maintenance of the machinery or plant operator depending on environmental conditions.



NEW

Technical Data

→ General information

Front ring	stainless steel
Form of collar	round

→ Dimensions

Dimensions of collar	∅ 34.5 mm
Overall height	38.70 mm
Mounting hole	30.3 mm
Key grid	min. 35 x 35 mm

→ Mechanical design

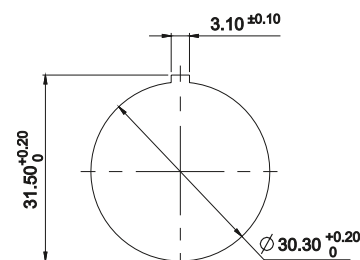
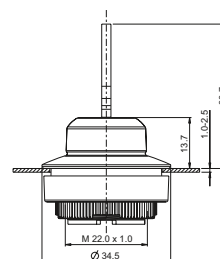
Mounting	threaded rings + adapters
Contact function	see order block
Illuminability	no
Wafers	5
Lock type	001
Main key	on request
Rotating angle	see order block
Key removal position	see order block
Torque for nut ring	1.2 Nm

→ Mechanical characteristics

Torque max.	1.3 Nm
-------------	--------

→ Other specifications

Ambient temp. operating min.	-25 °C
Ambient temp. operating max.	+70 °C
Operating life	300,000 momentary / 50,000 latching / 30,000 with key removal
B10	400,000 momentary / 65,000 latching / 40,000 with key removal
Degree of protection from front side	IP65 (DIN EN 60529)
Storage temperature min.	-40 °C
Storage temperature max.	+80 °C
Environmental resistance	acc. to IEC 60068-2-14, -30, -33 and -78
ESD-strength lock / contact	15 kV
ESD-strength key / front panel	15 kV
Salt spray	IEC 600 68-2-11
ROHS compliant	yes
REACH compliant	yes



Approvals



UL 508 in preparation



CCC in preparation

CONTROL COMPONENTS

RAFIX 30 FS⁺ - ACTUATORS

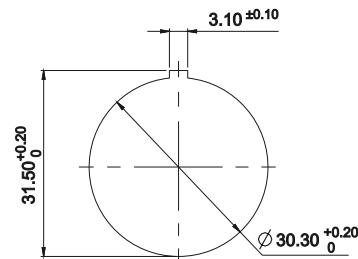
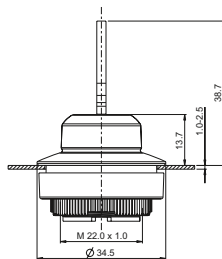
Accessories RAFIX 30 FS⁺ - Keylock switches


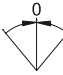
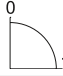

→ Description	Photo	Order no.	Additional accessories see page
RAFIX FS - Contact block PCB gold, Universal		-	-
RAFIX FS - Contact block PCB silver, Universal		-	-
RAFIX FS - Contact block QC gold, Universal, with light conductor		-	-
RAFIX FS - Contact block QC silver, Universal, with light conductor		-	-
Fixing spanner for ring nut		5.05.800.062/0000	-
Retaining ring for front panel thickness 2.5 ... 4 mm		5.45.201.556/0700	-
RAFIX FS - Protective cap for keylock switch		5.55.105.454/0111	-



RAFIX 30 FS⁺ Keylock switch

Technical data see page 11



→ Contact function	Rotating angle		Key removal position	Order no.
momentary	1 x 40°		0	1.30.295.002/0000
momentary	2 x 40°		0	1.30.295.102/0000
latching	1 x 90°, L shape		0+1	1.30.295.222/0000
latching	1 x 90°, V shape		0+1	1.30.295.322/0000

RAFIX 30 FS+ Signal indicators

Technical Data

→ General information

Form of lens	flush
Color of lens	see order block
Front ring	stainless steel
Form of collar	round

→ Dimensions

Dimensions of collar	∅ 34.5 mm
Overall height	5.25 mm
Mounting hole	30.3 mm
Key grid	min. 35 x 35 mm

→ Mechanical design

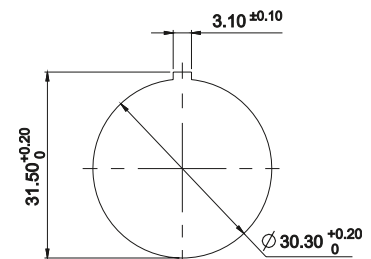
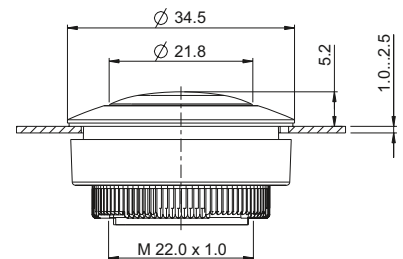
Mounting	threaded rings + adapters
Illuminability	yes
Torque for nut ring	1.2 Nm

→ Other specifications

Degree of protection from front side	IP65 (DIN EN 60529)
Ambient temp. operating min.	-25 °C
Ambient temp. operating max.	+70 °C
Storage temperature min.	-40 °C
Storage temperature max.	+80 °C
Environmental resistance	acc. to IEC 60068-2-14, -30, -33 and -78
Salt spray	IEC 600 68-2-11
ROHS compliant	yes
REACH compliant	yes



NEW



Approvals



UL 508 in preparation



CCC in preparation

Accessories RAFIX 30 FS+ - Signal indicators

→ Description	Photo	Order no.	Additional accessories see page
LED 3 mm		-	-
LED base for 3 mm THT LED, used in signal indicators, for RAFIX FS PCB		-	-
QC LED base for signal indicators		-	-
Fixing spanner for ring nut		5.05.800.062/0000	-
Retaining ring for front panel thickness 2.5 ... 4 mm		5.45.201.556/0700	-

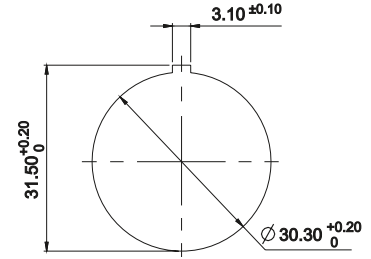
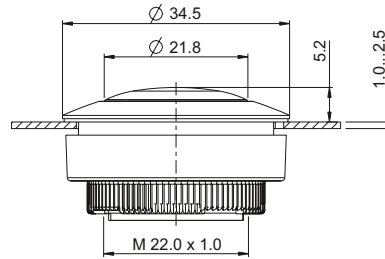
CONTROL COMPONENTS

RAFIX 30 FS+ - INDICATORS



RAFIX 30 FS+ Signal indicator

Technical data see page 13



→ Illuminability	Color of lens	Order no.
yes	translucent red	1.74.510.011/2300
yes	translucent yellow	1.74.510.011/2400
yes	translucent green	1.74.510.011/2500
yes	translucent blue	1.74.510.011/2600
yes	translucent white	1.74.510.011/2200

RAFIX 30 FS⁺ USB feedthroughs

→ The USB feedthrough ensures sturdy installation of an easily accessible USB slot in the front panels of controllers and IPCs. The port on the rear accommodates commercially available USB cables with B-type connectors. A sealing cap protects the slot and ensures a degree of protection to IP65. For assembly, simply insert the feedthrough from the front side into the mounting hole and fasten it by means of a ring nut from the rear.



NEW

Technical Data

→ General information

Front ring color	stainless steel
Form of collar	round

→ Dimensions

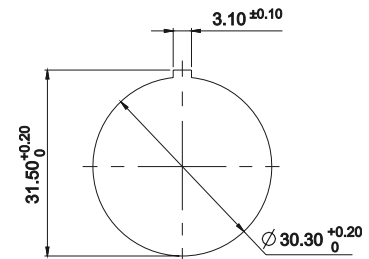
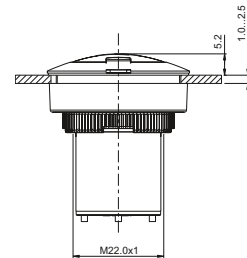
Dimensions of collar	∅ 34.5 mm
Overall height	5.17 mm
Mounting depth	35.5
Mounting hole	30.3 mm
Key grid	min. 35 x 35 mm

→ Mechanical design

Mounting	threaded rings + adapters
Front connection	USB Type A
Rear connection	USB Type B
Torque for nut ring	1.2 Nm

→ Other specifications

Ambient temp. operating min.	-25 °C
Ambient temp. operating max.	+70 °C
Storage temperature min.	-40 °C
Storage temperature max.	+80 °C
Operating life	1500 operations
Degree of protection from front side	IP65 (DIN EN 60529) with closed sealing cap
Relative humidity	5 bis 95% (non condensed)
Shock resistance to IEC 60068-2-27 (EN 61131-2)	50 g at 11 ms half sine amplitude
Vibration resistance according to IEC 600 68-2-6 (EN 61131-2)	5 g at 10...500 Hz
ROHS compliant	yes
REACH compliant	yes



Approvals



UL 508 in preparation



CCC in preparation

Accessories RAFIX 30 FS⁺ - USB feedthroughs

→ Description	Photo	Order no.	Additional accessories see page
Fixing spanner for ring nut		5.05.800.062/0000	-
Retaining ring for front panel thickness 2.5 ... 4 mm		5.45.201.556/0700	-

CONTROL COMPONENTS

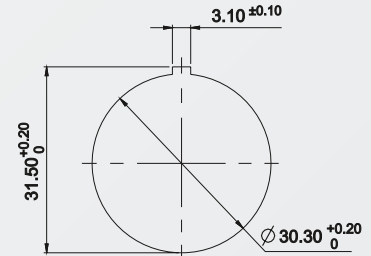
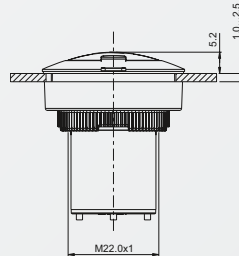
RAFIX 30 FS+ - ACCESSORIES



NEW

RAFIX 30 FS+ USB feedthrough

Technical data see page 15



→ Description

Order no.

RAFIX 30 FS+ - USB feedthrough

1.30.299.021/0700

Technical specifications are only approximate and should be used only for product selection. Subject to change and errors excepted. Images and other depictions alike. For more information, go to Imprint/Data Protection at www.rafi.de.

RAFI GmbH & Co. KG

Ravensburger Str. 128-134, D-88276 B

Tel.: +49 751 89-0, Fax: +49 751 89-130

www.rafi.de, info@rafi.de

Distributed by:



www.texim-europe.com

RAFI

The Netherlands



Elektrostraat 17
NL-7483 PG Haaksbergen

T: +31 (0)53 573 33 33
F: +31 (0)53 573 33 30
E: nl@texim-europe.com

Belgium



Zuiderlaan 14 bus 10
B-1731 Zellik

T: +32 (0)2 462 01 00
F: +32 (0)2 462 01 25
E: belgium@texim-europe.com

UK & Ireland



St. Mary's House, Church Lane
Carlton Le Moorland
Lincoln LN5 9HS

T: +44 (0)1522 789 555
F: +44 (0)845 299 22 26
E: uk@texim-europe.com

Germany North



Bahnhofstrasse 92
D-25451 Quickborn

T: +49 (0)4106 627 07-0
F: +49 (0)4106 627 07-20
E: germany@texim-europe.com

Germany South



Martin-Kollar-Strasse 9
D-81829 München

T: +49 (0)89 436 086-0
F: +49 (0)89 436 086-19
E: germany@texim-europe.com

Austria



Warwitzstrasse 9
A-5020 Salzburg

T: +43 (0)662 216 026
F: +43 (0)662 216 026-66
E: austria@texim-europe.com

Nordic region



Sdr. Jagtvej 12
DK-2970 Hørsholm

T: +45 88 20 26 30
F: +45 88 20 26 39
E: nordic@texim-europe.com

General information



info@texim-europe.com
www.texim-europe.com