



Features

- 7" WXGA (1280 x 800) TFT LCD Display, 400 Nits; 680 Nits (Optional)
- NVIDIA® TEGRA™ 2, 1.0 GHz Dual Core Processor
- DDR2 1GB SDRAM
- Projected Capacitive Multi-Touch Panel, Gorilla Glass
- Li-Polymer High-Capacity Battery, up to 8 Hours Battery Life
- Rugged, Water and Dust Proof, IP65 compliance
- Micro SD Card Slot, 5M Pixel Camera
- WiFi 802.11 b/g/n , Bluetooth® 2.1+ EDR, Optional 3G
- G-Sensor, Light Sensor, E-compass, GPS Navigation
- Barcode Reader 2D/1D (Optional)
- MSR (Optional)/ SCR (Optional)
- Docking (Optional), NFC/RFID (Optional)
- Android™ v3.2/v4.0



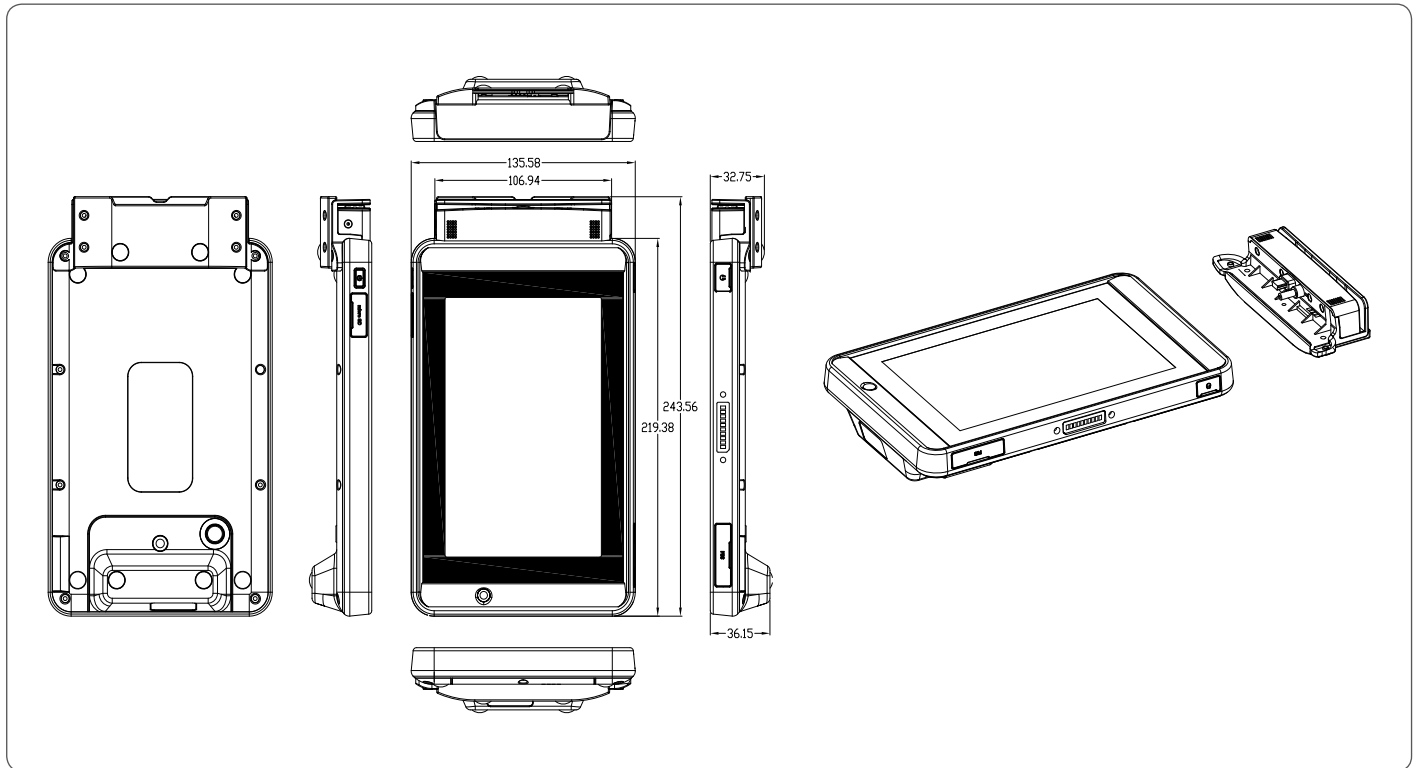
Specifications

System	
Processor	NVIDIA® TEGRA™ 2 1.0GHz Dual-Core Processor
System Memory	DDR2 1GB SDRAM
LCD Display	7" WXGA (1280 x 800) TFT LCD with Projected Capacitive Multi-Touch screen, Gorilla glass, 400 Nits; 680 Nits (optional)
Communication	WLAN 802.11 b/g/n Bluetooth® 2.1+ EDR (Bluetooth® Keyboard/Mouse support) 3G modem module (optional)
I/O Port	DC-in Jack x 1 Mini USB Port x 1 Mini HDMI Port x 1 Micro SD Card Slot x 1 3.5-mm stereo headphone jack x 1 Built-in Speaker & Microphone SIM Card Slot x 1
Storage	16GB eMMC Flash
Navigation	GPS E-compass
Camera	Front: 1.2M Pixel camera Rear: 5M Pixel AF camera
Sensor	Built-in Light Sensor Built-in G-Sensor, Built-in 3-axis digital gyroscope, Built-in Vibrator motor
OS	Android™ v3.2/ v4.0
Mechanical	
Color	Black
Dimension	5.38" x 8.58" x 0.83"(136.6mm x 218mm x 21mm)
Gross Weight	1.2 lb (0.57 kg)
Carton Dimension	9.61" x 6.81" x 2.64" (244mm x 173mm x 67mm)
Environmental	
Operating Temperature	-4°F ~ 140°F (-20°C ~ 60°C)
Storage Temperature	-67°F ~ 167°F (-55°C ~ 75°C)
Operating Humidity	10 to 95% @ 40°C, non-condensing
Water & Dust Proof	IP65 compliance
Vibration	Meets MIL-STD-810G-514.6, Procedure I Cat. 24, Fig. 514.6E-1 & 514.6E-2 (Unit is non-operating) ASTM 4169-99 Truck Assurance Level II, Schedule E (Unit is operating)
Drop	26 drops of 48 inches height to 2" plywood over concrete with unit off MIL-STD-810G-516.6, Procedure IV
ESD	Air +/- 8KV, Contact +/- 4KV
EMC/ Safety	CE/ FCC Class B/ UL

RTC-700A

Dimension

Unit: mm



Power Supply	
AC/ DC Adapter	AC Power input: 100V-240V, 50Hz-60Hz, 12V/2A, 24W DC Power output: 12V/ 2A
Battery	Li-Polymer high capacity battery (27Whr), 6~8 Hours Battery Life
LCD	
Display Type	7" 16:10 TFT LCD
Max. Resolution	1280 x 800
Max. Color	262K
Dot Size	0.117755(H) x 0.117755(V)
Luminance	400nits; 680nits (optional)
View Angle	Horizontal 178° (Typical) Vertical 178° (Typical)
Touch Screen	
Type	Projected Capacitive Multi-Touch Panel, Gorilla glass
Light Transmission	≥87%

Packing List

- **1255300241**
12V/24W AC Power Adapter
- **Product CD**
- **1702031830**
Power Cord Cable for USA
- **RTC-700A**

Optional Accessories

- **AP-OT9789666663**
Vehicle Docking (Non-chargeable)
- **1700050156**
USB OTG Cable (Host to Device)
- **AP-PS1757402101**
Vehicle DC/DC Adapter
- **2192619062**
Carry Bag w/ Shoulder Strap
- **1700051000**
USB Cable (Client to PC)
- **9789700A02**
Desktop Stand
- **1702031831**
Power Cable for Europe
- **PER-A139**
MSR Module
- **PER-A140**
MSR and Module
- **TF-RDS-0310-000**
Docking Station
- **9789700A01**
Portable Stand
- **9789700A03**
Portable Stand with Ring Hand Strap

Distributed by:



www.texim-europe.com

Ordering Information

Part Number	CPU	LCD Display	Touch Screen	System Memory	Storage	OS	WiFi/ Bluetooth	3G Bands (MHz)	Navigation	Sensor	Camera	Battery	Expansion I/O	Size & Weight	Operation Temp	Durable	NFC(HF RFID)	2D Barcode Scanner	Sunlight Readable	MSR	SCR	Docking
RTC-700A-TA-WBGH-2110	TEGRA 2 1.0GHz	7" TFT LCD	Pcap 10-point	LPDDR2 1GB	16GB eMMC Flash	Android 4.0	802.11 b/g/n + BT2.1 + EDR	850/1900/2100	GPS/ AGP	Light Sensor x 1 G Sensor x 1 3-axis digital groscope x 1 Vibrator x 1	Front: 1.2MP Back: 5MP	27Whr 7.4V 3700mAh	MiniHDMI x 1 MiniUSB x 1 micro SD x 1 SIM Card x 1	L219.4 x W135.58 x H 21.2 mm 608g	-20°C~60°C	Meet IEC 60529 IP-65 standard MIL Std 810G-516.6, Procedure IV 26 drops of 48" height to 2" plywood over concrete with bumpers & unit off 2 units to pass	—	—	—	—	—	—
RTC-700A-TA-WBG-2110	TEGRA 2 1.0GHz	7" TFT LCD	Pcap 10-point	LPDDR2 1GB	16GB eMMC Flash	Android 4.0	802.11 b/g/n + BT2.1 + EDR	—	GPS	Light Sensor x 1 G Sensor x 1 3-axis digital groscope x 1 Vibrator x 1	Front: 1.2MP Back: 5MP	27Whr 7.4V 3700mAh	MiniHDMI x 1 MiniUSB x 1 micro SD x 1 SIM Card x 1	L219.4 x W135.58 x H 21.2 mm 578g	-20°C~60°C	Meet IEC 60529 IP-65 standard MIL Std 810G-516.6, Procedure IV 26 drops of 48" height to 2" plywood over concrete with bumpers & unit off 2 units to pass	—	—	—	—	—	—
TF-RTC-700A-TA-WBGH-2810	TEGRA 2 1.0GHz	7" TFT LCD	Pcap 10-point	LPDDR2 1GB	16GB eMMC Flash	Android 4.0	802.11 b/g/n + BT2.1 + EDR	850/1900/2100	GPS/A-GPS	Light Sensor x 1 G Sensor x 1 3-axis digital groscope x 1 Vibrator x 1	Front: 1.2MP Back: 5MP	27Whr 7.4V 3700mAh	MiniHDMI x 1 MiniUSB x 1 micro SD x 1 SIM Card x 2	L219.4 x W135.58 x H 21.2 mm 650g	-20°C~60°C	Meet IEC 60529 IP-65 standard MIL Std 810G-516.6, Procedure IV 26 drops of 48" height to 2" plywood over concrete with bumpers & unit off 2 units to pass	NFC-IP-1 ISO14443 TypeA/B ISO15693 Felica MiFare 1k, 4k	—	—	—	—	—
TF-RTC-700A-TA-WBGH-1110	TEGRA 2 1.0GHz	7" TFT LCD	Pcap 10-point	LPDDR2 1GB	16GB eMMC Flash	Android 4.0	802.11 b/g/n + BT2.1 + EDR	850/1900/2100	GPS/A-GPS	Light Sensor x 1 G Sensor x 1 3-axis digital groscope x 1 Vibrator x 1	Front: 1.2MP Back: 5MP	27Whr 7.4V 3700mAh	MiniHDMI x 1 MiniUSB x 1 micro SD x 1 SIM Card x 1	L219.4 x W135.58 x H 21.2 mm 608g	-20°C~60°C	Meet IEC 60529 IP-65 standard MIL Std 810G-516.6, Procedure IV 26 drops of 48" height to 2" plywood over concrete with bumpers & unit off 2 units to pass	—	—	—	—	—	—
TF-RTC-700A-TA-WBG-1110	TEGRA 2 1.0GHz	7" TFT LCD	Pcap 10-point	LPDDR2 1GB	16GB eMMC Flash	Android 4.0	802.11 b/g/n + BT2.1 + EDR	—	GPS	Light Sensor x 1 G Sensor x 1 3-axis digital groscope x 1 Vibrator x 1	Front: 1.2MP Back: 5MP	27Whr 7.4V 3700mAh	MiniHDMI x 1 MiniUSB x 1 micro SD x 1 SIM Card x 1	L219.4 x W135.58 x H 21.2 mm 578g	-20°C~60°C	Meet IEC 60529 IP-65 standard MIL Std 810G-516.6, Procedure IV 26 drops of 48" height to 2" plywood over concrete with bumpers & unit off 2 units to pass	—	—	—	—	—	—
TF-RTC-700A-TAS-WBGH-1111	TEGRA 2 1.0GHz	7" TFT LCD	Pcap 10-point	LPDDR2 1GB	16GB eMMC Flash	Android 4.0	802.11 b/g/n + BT2.1 + EDR	850/1900/2100	GPS/A-GPS	Light Sensor x 1 G Sensor x 1 3-axis digital groscope x 1 Vibrator x 1	Front: 1.2MP Back: 5MP	27Whr 7.4V 3700mAh	MiniHDMI x 1 MiniUSB x 1 micro SD x 1 SIM Card x 2	L219.4 x W135.58 x H 21.2 mm 630g	-20°C~60°C	Meet IEC 60529 IP-65 standard MIL Std 810G-516.6, Procedure IV 26 drops of 48" height to 2" plywood over concrete with bumpers & unit off 2 units to pass	—	680nits	—	—	—	—
TF-RTC-700A-TAS-WBG-1111	TEGRA 2 1.0GHz	7" TFT LCD	Pcap 10-point	LPDDR2 1GB	16GB eMMC Flash	Android 4.0	802.11 b/g/n + BT2.1 + EDR	—	GPS	Light Sensor x 1 G Sensor x 1 3-axis digital groscope x 1 Vibrator x 1	Front: 1.2MP Back: 5MP	27Whr 7.4V 3700mAh	MiniHDMI x 1 MiniUSB x 1 micro SD x 1 SIM Card x 3	L219.4 x W135.58 x H 21.2 mm 600g	-20°C~60°C	Meet IEC 60529 IP-65 standard MIL Std 810G-516.6, Procedure IV 26 drops of 48" height to 2" plywood over concrete with bumpers & unit off 2 units to pass	—	680nits	—	—	—	—
TF-RTC-700A-TAS-WBGH-2328	TEGRA 2 1.0GHz	7" TFT LCD	Pcap 10-point	LPDDR2 1GB	16GB eMMC Flash	Android 4.0	802.11 b/g/n + BT2.1 + EDR	850/1900/2100	GPS/A-GPS	Light Sensor x 1 G Sensor x 1 3-axis digital groscope x 1 Vibrator x 1	Front: 1.2MP Back: 5MP	27Whr 7.4V 3700mAh	MiniHDMI x 1 MiniUSB x 1 micro SD x 1 SIM Card x 1	L219.4 x W135.58 x H 21.2 mm 720g	-20°C~60°C	Meet IEC 60529 IP-65 standard MIL Std 810G-516.6, Procedure IV 26 drops of 48" height to 2" plywood over concrete with bumpers & unit off 2 units to pass	NFC-IP-1 ISO14443 TypeA/B ISO15693 Felica MiFare 1k, 4k	—	—	—	—	—
TF-RTC-700A-TA-WBG-2328	TEGRA 2 1.0GHz	7" TFT LCD	Pcap 10-point	LPDDR2 1GB	16GB eMMC Flash	Android 4.0	802.11 b/g/n + BT2.1 + EDR	—	GPS	Light Sensor x 1 G Sensor x 1 3-axis digital groscope x 1 Vibrator x 1	Front: 1.2MP Back: 5MP	27Whr 7.4V 3700mAh	MiniHDMI x 1 MiniUSB x 1 micro SD x 1 SIM Card x 1	L219.4 x W135.58 x H 21.2 mm 670g	-20°C~60°C	Meet IEC 60529 IP-65 standard MIL Std 810G-516.6, Procedure IV 26 drops of 48" height to 2" plywood over concrete with bumpers & unit off 2 units to pass	NFC-IP-1 ISO14443 TypeA/B ISO15693 Felica MiFare 1k, 4k	—	—	—	—	—
TF-RTC-700A-TAD-WBGH-2328	TEGRA 2 1.0GHz	7" TFT LCD	Pcap 10-point	LPDDR2 1GB	16GB eMMC Flash	Android 4.0	802.11 b/g/n + BT2.1 + EDR	850/1900/2100	GPS/A-GPS	Light Sensor x 1 G Sensor x 1 3-axis digital groscope x 1 Vibrator x 1	Front: 1.2MP Back: 5MP	27Whr 7.4V 3700mAh	MiniHDMI x 1 MiniUSB x 1 micro SD x 1 SIM Card x 1	L219.4 x W135.58 x H 21.2 mm 720g	-20°C~60°C	Meet IEC 60529 IP-65 standard MIL Std 810G-516.6, Procedure IV 26 drops of 48" height to 2" plywood over concrete with bumpers & unit off 2 units to pass	NFC-IP-1 ISO14443 TypeA/B ISO15693 Felica MiFare 1k, 4k	Yes	—	—	—	Yes
TF-RTC-700A-TAD-WBG-2328	TEGRA 2 1.0GHz	7" TFT LCD	Pcap 10-point	LPDDR2 1GB	16GB eMMC Flash	Android 4.0	802.11 b/g/n + BT2.1 + EDR	—	GPS	Light Sensor x 1 G Sensor x 1 3-axis digital groscope x 1 Vibrator x 1	Front: 1.2MP Back: 5MP	27Whr 7.4V 3700mAh	MiniHDMI x 1 MiniUSB x 1 micro SD x 1 SIM Card x 1	L219.4 x W135.58 x H 21.2 mm 670g	-20°C~60°C	Meet IEC 60529 IP-65 standard MIL Std 810G-516.6, Procedure IV 26 drops of 48" height to 2" plywood over concrete with bumpers & unit off 2 units to pass	NFC-IP-1 ISO14443 TypeA/B ISO15693 Felica MiFare 1k, 4k	Yes	—	—	—	Yes
TF-RTC-700A-TAD-WBGH-2928	TEGRA 2 1.0GHz	7" TFT LCD	Pcap 10-point	LPDDR2 1GB	16GB eMMC Flash	Android 4.0	802.11 b/g/n + BT2.1 + EDR	850/1900/2100	GPS/A-GPS	Light Sensor x 1 G Sensor x 1 3-axis digital groscope x 1 Vibrator x 1	Front: 1.2MP Back: 5MP	27Whr 7.4V 3700mAh	MiniHDMI x 1 MiniUSB x 1 micro SD x 1 SIM Card x 1	L240 x W135.58 x H 21.2 mm 795g	-20°C~60°C	Meet IEC 60529 IP-65 standard MIL Std 810G-516.6, Procedure IV 26 drops of 48" height to 2" plywood over concrete with bumpers & unit off 2 units to pass	NFC-IP-1 ISO14443 TypeA/B ISO15693 Felica MiFare 1k, 4k	Yes	—	Yes	Yes	Yes
TF-RTC-700A-TAD-WBG-2928	TEGRA 2 1.0GHz	7" TFT LCD	Pcap 10-point	LPDDR2 1GB	16GB eMMC Flash	Android 4.0	802.11 b/g/n + BT2.1 + EDR	—	GPS	Light Sensor x 1 G Sensor x 1 3-axis digital groscope x 1 Vibrator x 1	Front: 1.2MP Back: 5MP	27Whr 7.4V 3700mAh	MiniHDMI x 1 MiniUSB x 1 micro SD x 1 SIM Card x 1	L240 x W135.58 x H 21.2 mm 745g	-20°C~60°C	Meet IEC 60529 IP-65 standard MIL Std 810G-516.6, Procedure IV 26 drops of 48" height to 2" plywood over concrete with bumpers & unit off 2 units to pass	NFC-IP-1 ISO14443 TypeA/B ISO15693 Felica MiFare 1k, 4k	Yes	—	Yes	Yes	Yes

RTC-700A

Ordering Information

Part Number	CPU	LCD Display	Touch Screen	System Memory	Storage	OS	WiFi/ Bluetooth	3G Bands (MHz)	Navigation	Sensor	Camera	Battery	Expansion I/O	Size & Weight	Operation Temp	Durable	NFC(HF RFID)	2D Barcode Scanner	Sunlight Readable	MSR	SCR	Docking
TF-RTC-700A-TA-WBGH-2928	TEGRA 2 1.0GHz	7" TFT LCD	Pcap 10-point	LPDDR2 1GB	16GB eMMC Flash	Android 4.0	802.11 b/g/n + BT2.1 + EDR	850/1900/2100	GPS/A-GPS	Light Sensor x 1 G Sensor x 1 3-axis digital groscope x 1 Vibrator x 1	Front: 1.2MP Back: 5MP	27Whr 7.4V 3700mAh	MiniHDMI x 1 MiniUSB x 1 micro SD x 1 SIM Card x 1	L240 x W135.58 x H 21.2 mm 795g	-20°C-60°C	—	NFC-IP-1 ISO14443 TypeA/B ISO15693 Felica MiFare 1k, 4k	Yes	—	Yes	Yes	—
TF-RTC-700A-TA-WBG-2928	TEGRA 2 1.0GHz	7" TFT LCD	Pcap 10-point	LPDDR2 1GB	16GB eMMC Flash	Android 4.0	802.11 b/g/n + BT2.1 + EDR	—	GPS	Light Sensor x 1 G Sensor x 1 3-axis digital groscope x 1 Vibrator x 1	Front: 1.2MP Back: 5MP	27Whr 7.4V 3700mAh	MiniHDMI x 1 MiniUSB x 1 micro SD x 1 SIM Card x 1	L240 x W135.58 x H 21.2 mm 745g	-20°C-60°C	—	NFC-IP-1 ISO14443 TypeA/B ISO15693 Felica MiFare 1k, 4k	Yes	—	Yes	Yes	—
TF-RTC-700A-TA-WBGH-2528	TEGRA 2 1.0GHz	7" TFT LCD	Pcap 10-point	LPDDR2 1GB	16GB eMMC Flash	Android 4.0	802.11 b/g/n + BT2.1 + EDR	850/1900/2100	GPS/A-GPS/Glonass	Light Sensor x 1 G Sensor x 1 3-axis digital groscope x 1 Vibrator x 1	Front: 1.2MP Back: 5MP	27Whr 7.4V 3700mAh	MiniHDMI x 1 MiniUSB x 1 micro SD x 1 SIM Card x 1	L240 x W135.58 x H 21.2 mm 795g	-20°C-60°C	—	NFC-IP-1 ISO14443 TypeA/B ISO15693 Felica MiFare 1k, 4k	Yes	—	—	—	Yes
TF-RTC-700A-TAD-WBG-2528	TEGRA 2 1.0GHz	7" TFT LCD	Pcap 10-point	LPDDR2 1GB	16GB eMMC Flash	Android 4.0	802.11 b/g/n + BT2.1 + EDR	—	GPS/Glonass	Light Sensor x 1 G Sensor x 1 3-axis digital groscope x 1 Vibrator x 1	Front: 1.2MP Back: 5MP	27Whr 7.4V 3700mAh	MiniHDMI x 1 MiniUSB x 1 micro SD x 1 SIM Card x 1	L240 x W135.58 x H 21.2 mm 745g	-20°C-60°C	—	NFC-IP-1 ISO14443 TypeA/B ISO15693 Felica MiFare 1k, 4k	Yes	—	—	—	Yes
TF-RTC-700A-TA-WBGH-2528	TEGRA 2 1.0GHz	7" TFT LCD	Pcap 10-point	LPDDR2 1GB	16GB eMMC Flash	Android 4.0	802.11 b/g/n + BT2.1 + EDR	850/1900/2100	GPS/A-GPS/Glonass	Light Sensor x 1 G Sensor x 1 3-axis digital groscope x 1 Vibrator x 1	Front: 1.2MP Back: 5MP	27Whr 7.4V 3700mAh	MiniHDMI x 1 MiniUSB x 1 micro SD x 1 SIM Card x 1	L240 x W135.58 x H 21.2 mm 795g	-20°C-60°C	—	NFC-IP-1 ISO14443 TypeA/B ISO15693 Felica MiFare 1k, 4k	Yes	—	—	—	—
TF-RTC-700A-TA-WBG-2528	TEGRA 2 1.0GHz	7" TFT LCD	Pcap 10-point	LPDDR2 1GB	16GB eMMC Flash	Android 4.0	802.11 b/g/n + BT2.1 + EDR	—	GPS/Glonass	Light Sensor x 1 G Sensor x 1 3-axis digital groscope x 1 Vibrator x 1	Front: 1.2MP Back: 5MP	27Whr 7.4V 3700mAh	MiniHDMI x 1 MiniUSB x 1 micro SD x 1 SIM Card x 1	L240 x W135.58 x H 21.2 mm 745g	-20°C-60°C	—	NFC-IP-1 ISO14443 TypeA/B ISO15693 Felica MiFare 1k, 4k	Yes	—	—	—	—

Distributed by:



www.texim-europe.com

The Netherlands



Elektrostraat 17
NL-7483 PG Haaksbergen

T: +31 (0)53 573 33 33
F: +31 (0)53 573 33 30
E: nl@texim-europe.com

Belgium



Zuiderlaan 14 bus 10
B-1731 Zellik

T: +32 (0)2 462 01 00
F: +32 (0)2 462 01 25
E: belgium@texim-europe.com

UK & Ireland



St. Mary's House, Church Lane
Carlton Le Moorland
Lincoln LN5 9HS

T: +44 (0)1522 789 555
F: +44 (0)845 299 22 26
E: uk@texim-europe.com

Germany North



Bahnhofstrasse 92
D-25451 Quickborn

T: +49 (0)4106 627 07-0
F: +49 (0)4106 627 07-20
E: germany@texim-europe.com

Germany South



Martin-Kollar-Strasse 9
D-81829 München

T: +49 (0)89 436 086-0
F: +49 (0)89 436 086-19
E: germany@texim-europe.com

Austria



Warwitzstrasse 9
A-5020 Salzburg

T: +43 (0)662 216 026
F: +43 (0)662 216 026-66
E: austria@texim-europe.com

Nordic region



Sdr. Jagtvej 12
DK-2970 Hørsholm

T: +45 88 20 26 30
F: +45 88 20 26 39
E: nordic@texim-europe.com

General information



info@texim-europe.com
www.texim-europe.com