

Features

- Onboard Freescale i.MX 6 Solo/ Dual Lite/ Dual/ Quad CPU Up to 1.2GHz
- Wolfson WM8326 PMIC
- DDR3L 512MB ~ 2GB
- eMMC 4GB ~ 64GB
- SMSC BCM54610 10/ 100/ 1000 Ethernet Transceiver
- Up to 3 PCIe1, MLB150, 12 GPIOs, SDIO, SATA, 2 SPI, 5 I²C, 1 I²S, SPDIF, WDT, 2 CAN, JTAG, Battery and System Management

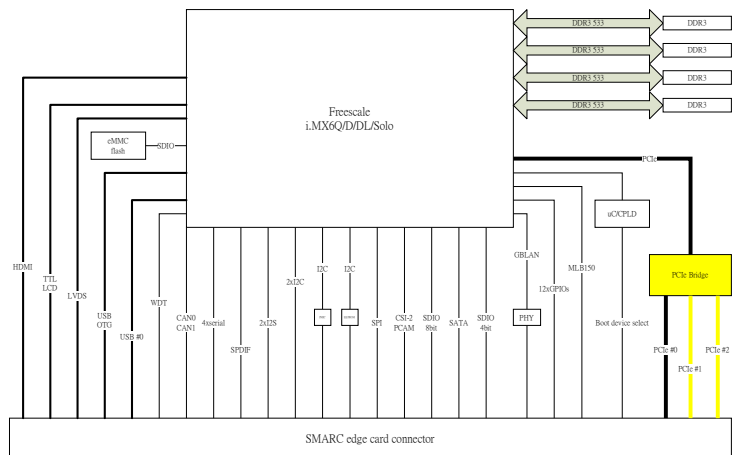
Specifications

System

• Processor	Freescale i.MX 6 Solo, Dual and Quad Core ARM Cortex-A9 800MHz, 1.0GHz, 1.2GHz
• Graphics	Dual Display HD 1080p Encode and Decode 2D and 3D Acceleration
• Memory	DDR3L 512MB ~ 2GB
• Flash	4GB (Up to 64GB) eMMC On-module
• Ethernet	10/ 100/ 1000 Mbit/sec
• USB	2 x USB 2.0 Port (One OTG)
• Display	Parallel LCD 18/ 24-bit LVDS Single Channel 18/ 24-bit HDMI
• Image Capture Interfaces	2 Interfaces (PCAM, CSI)
• Serial	2 x RX/ TX (Ser1/3); 2 x UART (Ser0/2)
• Additional Interfaces	Up to 3 PCIe1, MLB150, 12 x GPIOs, SDIO, SATA eMMC, 2 x SPI, 5 x I ² C, 1 x I ² S, SPDIF, WDT, 2 x CAN, JTAG, Battery and System Management

Mechanical & Environmental

• SW Support	Android Linux
• Power	tbd
• Thermal	Commercial Temperature: 0°C to +60°C and Industrial Temperature: -40°C to 85°C (800MHz versions)
• Power Supply	3V to 5.25V - Operates Directly from Single Level Lithium Ion Cells, or Fixed 3.3V or 5V Power Supplies
• Compliance	Form Factor: 82mm x 50mm Compliance: SMARC (Smart Mobility Architecture) Specification by SGET



Ordering Information

- **SMA-IMX6SI-A1R**
SMARCTM with Freescale i.MX 6 Solo 800MHz Single Core, 512MB DDR3L, 4GB eMMC, Industrial Temperature, No SATA Support, with PCIe1
- **SMA-IMX6QI-A1R**
SMARCTM with Freescale i.MX 6 800MHz Quad Core, 1GB DDR3L, 4GB eMMC, Industrial Temperature, SATA Support, with 3 PCIe1