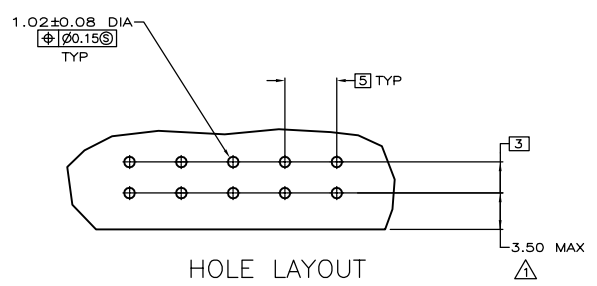
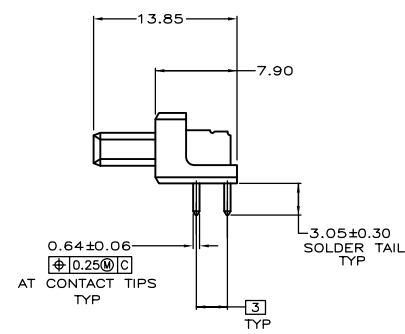
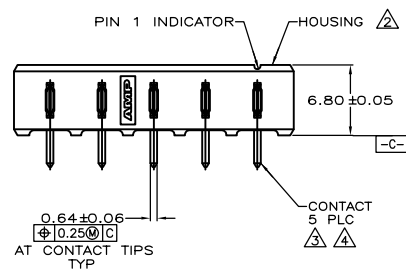
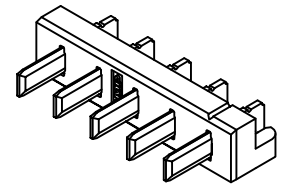
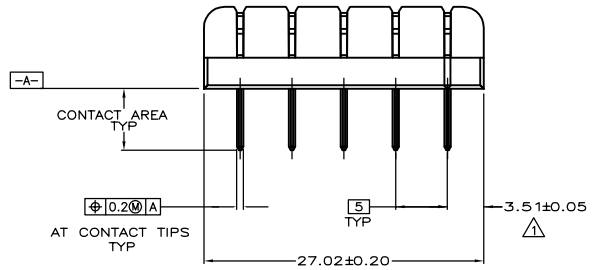


THIS DRAWING IS UNPUBLISHED. RELEASED FOR PUBLICATION
 © COPYRIGHT - BY TYCO ELECTRONICS CORPORATION. ALL RIGHTS RESERVED.

LOC	DIST	REVISIONS					
ES	00	P	LTR	DESCRIPTION	DATE	DWN	APVD
		0		RELEASED ECR-05-001438	30MAR05	J.Z	I.E



- ⚠ COORDINATE DIMENSION APPLIES FROM CENTER OF ACTUAL FEATURE.
- ⚠ HOUSING: LCP, BLACK
- ⚠ 2.54um MIN TIN ON SOLDER TAIL OVER
- ⚠ 1.90um MIN NICKEL ALL OVER.
- ⚠ CONTACTS: BRASS

5787441-1
PART NO

THIS DRAWING IS A CONTROLLED DOCUMENT.		DWN	S.KLINE	03-27-95	tyco Electronics	Tyco Electronics Corporation Shanghai PRC		
DIMENSIONS: mm		CHK	S.KLINE	03-30-95		NAME HEADER ASSEMBLY, RIGHT ANGLE, KEYLESS, 5mm ϕ , 5 POSN, STRAIGHT SOLDER TAILS, BATTERY INTERCONNECT		
TOLERANCES UNLESS OTHERWISE SPECIFIED:		APVD	S.KLINE	03-30-95	PRODUCT SPEC	SIZE		
0 PLC ± -		APPLICATION SPEC		108-1501	CAGE CODE	DRAWING NO	RESTRICTED TO	
1 PLC ± -		WEIGHT		114-24005	A3	00779	C-5787441	-
2 PLC ± 0.13		CUSTOMER DRAWING		SCALE		2:1	SHEET	1 OF 1
3 PLC ± -		FINISH		REV		0		
4 PLC ± -		MATERIAL		SCALE		2:1		
ANGLES ± -		FINISH		SHEET		1 OF 1		
⚠ ⚠		FINISH		REV		0		