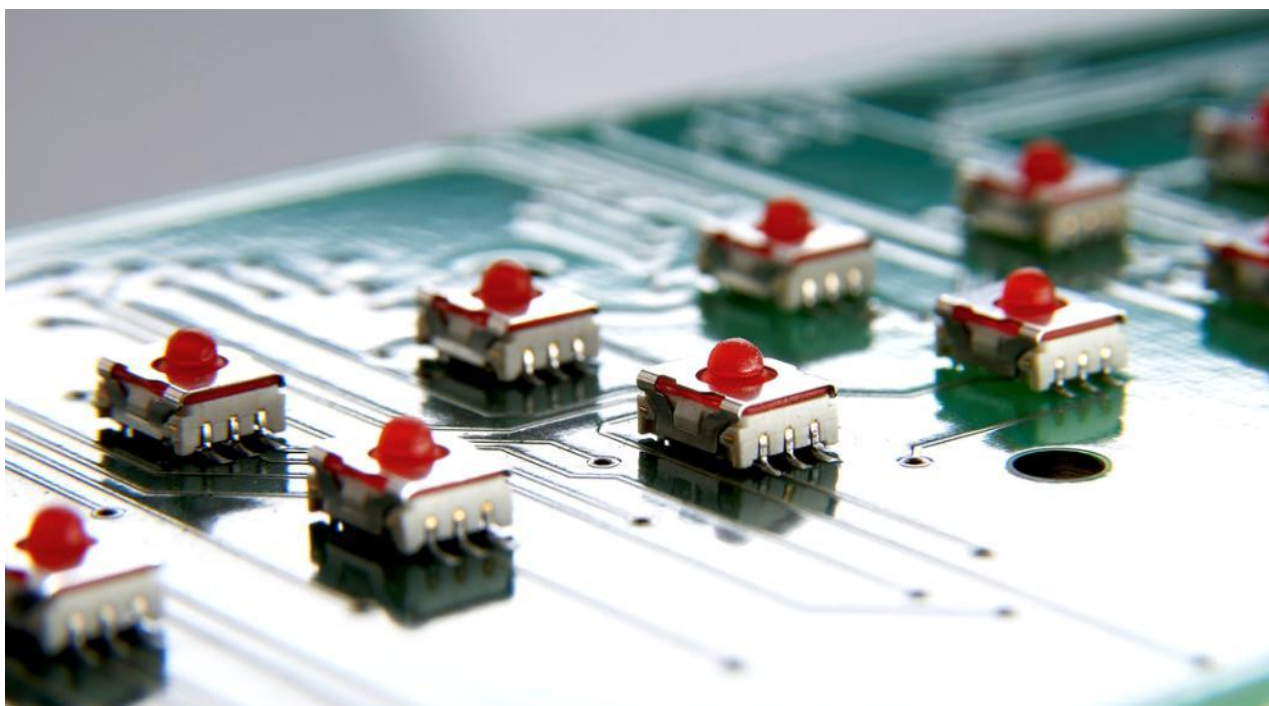


# Data Sheet

## MICON 5 Short-travel Keyswitches and Accessories



3D data in step or igs format available on request.

---

Technical data are approximate and intended solely for general orientation in the selection of a product.  
Subject to modifications and errors. Images and other graphics may only be similar.  
For more information, refer to [www.rafi.de](http://www.rafi.de) chapter Imprint /Data Protection

**RAFI GmbH & Co. KG**  
Ravensburger Str. 128-134, D-88276 Berg/Ravensburg  
Tel.: +49 751 89-0, Fax: +49 751 89-1300  
[www.rafi.de](http://www.rafi.de), [info@rafi.de](mailto:info@rafi.de)



SMT standard version



SMT low version



THT standard version

Terminals	Plunger / height [mm]	Operating force $F_1$ [N] (+ 20%)	Switching travel $S_2$ [mm] (+ 0.15 mm)	Operating life [operations] (test force)	Product (type) marking	Order no.
SMT	Standard 3.85	3.0	0.7	1,000,000 (4 N)	X	1.14.002.101/0000
SMT	Standard 3.85	3.6	0.8	250,000 (6 N)	Z	1.14.002.001/0000
SMT	Standard 3.85	5.5	0.9	1,000,000 (8 N)	W	1.14.002.111/0000
SMT	Standard 3.85	8.0	1.1	250,000 (12 N)	Y	1.14.002.011/0000
SMT	Standard 3.85	3.5	0.85	250,000 (6 N)	K	1.14.002.301/0000 <sup>1</sup>
SMT	Standard 3.85	1.5	0.5	1,000,000 (4 N)	J	1.14.002.201/0000 <sup>2</sup>
SMT	Low 3.45	3.0	0.6	1,000,000 (4 N)	S	1.14.002.103/0000
SMT	Low 3.45	3.6	0.7	250,000 (6N)	T	1.14.002.003/0000
SMT	Low 3.45	5.5	0.7	1,000,000 (8 N)	L	1.14.002.113/0000
THT	Standard 3.85	3.0	0.7	1,000,000 (4 N)	O	1.14.002.106/0000
THT	Standard 3.85	3.6	0.8	250,000 (6 N)	Q	1.14.002.006/0000
THT	Standard 3.85	5.5	0.9	1,000,000 (8 N)	N	1.14.002.116/0000
THT	Standard 3.85	8.0	1.1	250,000 (12 N)	P	1.14.002.016/0000

<sup>1</sup> Low noise

<sup>2</sup> Only for use in a redundant system with another SMT keyswitch of standard height

### Mounting dimensions

Length	6.4 mm
Width	5.1 mm
Height	See order number table

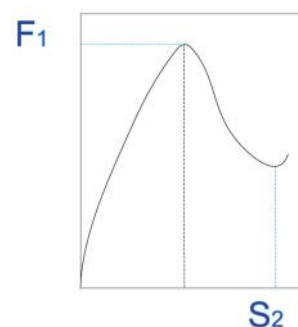
### Mechanical design

Fixing	Soldering
Terminals	SMT L-type terminals, inward, tin-plated (lead-free) or THT
Contact system	Snap-action contact (snap disc)
Contact arrangement	1 normally-open contact
Contact material	Gold (Au)

### Mechanical characteristics

Operating force $F_1$	See order number table
Switching travel $S_2$	See order number table

Force/travel diagram



### Electrical characteristics

Rated voltage	0.02 - 35 V DC
Rated current	0.01 - 100 mA
Rated power, max.	1 W (ohmic load)
Contact resistance	< 100 mΩ
Bouncing time	< 5 ms
Insulation resistance	10 <sup>9</sup> Ω min.
Dielectric strength	250 V AC

### Other specifications

Operating temperature	-40°C to +90°C
Storage temperature	-40°C to +90°C
Vibration resistance	5 g acc. to IEC 600 68-2-6
Constant environment	IEC 600 68-2-78 and 2-30
Variable environment	IEC 600 68-2-14 and 2-33
Flammability of materials	UL 94 V1
Operating life	See order number table.

### Solder heat resistance / solderability

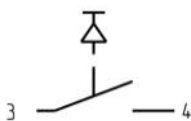
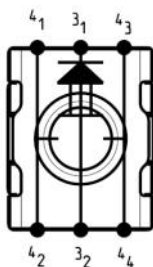
SMT version	DIN IEC 60068-2-58 and DIN EN 61 760-1
THT version	E DIN IEC 60068-2-20

### Standard packaging:

SMT version	Blister reel with 2,100 pcs.
THT version	Tubes with 102 pcs. each

### Circuit symbol according to IEC 617

Contact between the two exterior tracks is only ensured in operated condition.

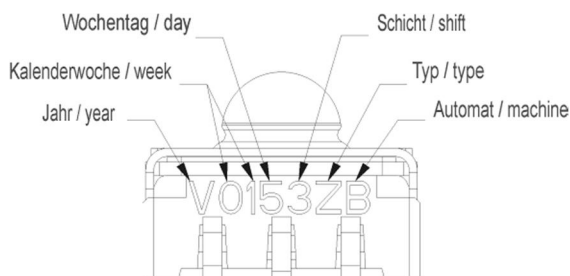


The two exterior tracks must be bridged on the printed circuit board.

### Product marking according to (EN ISO 8402) DIN EN ISO 9001

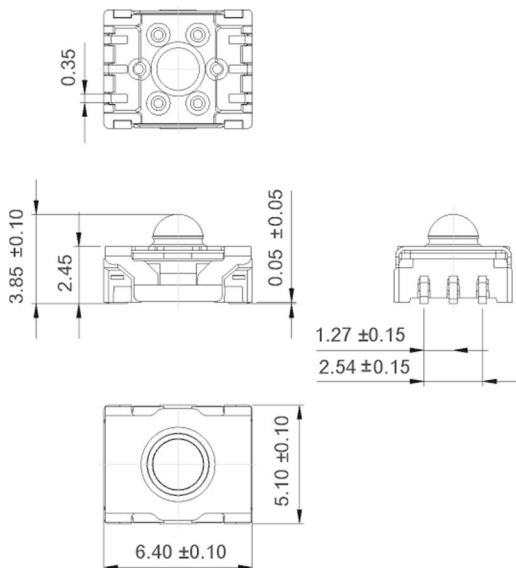
Traceability according to (EN ISO 8402) DIN EN ISO 9001, 2000, 7.5.3

A 7-digit code is printed on the keyswitch, reflecting the production date, the type as well as the shift in which it was produced.

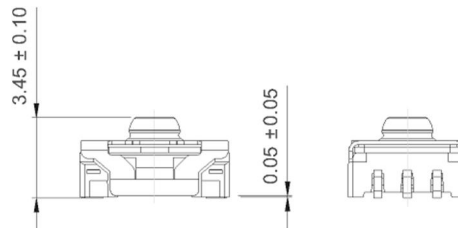


**SMT**

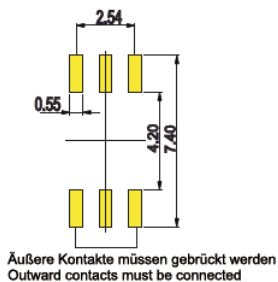
**Dimensional drawing  
 Standard version**



**Dimensional drawing  
 Low version**



**Solder pad:**



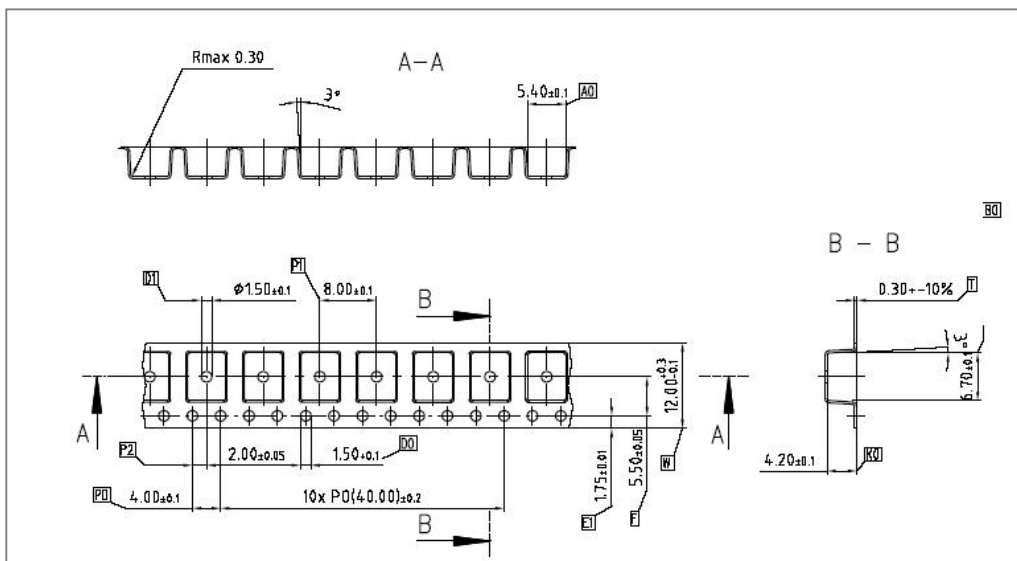
**Placement instructions**

**Nozzle**  
 Special nozzle (Siemens Siplace order no. : 348514-02)  
 Placement by means of revolver head

**Suggestion for stencil printing:**  
 150µm stencil with 10% pad reduction

**The two exterior tracks must be bridged on the printed circuit board.**

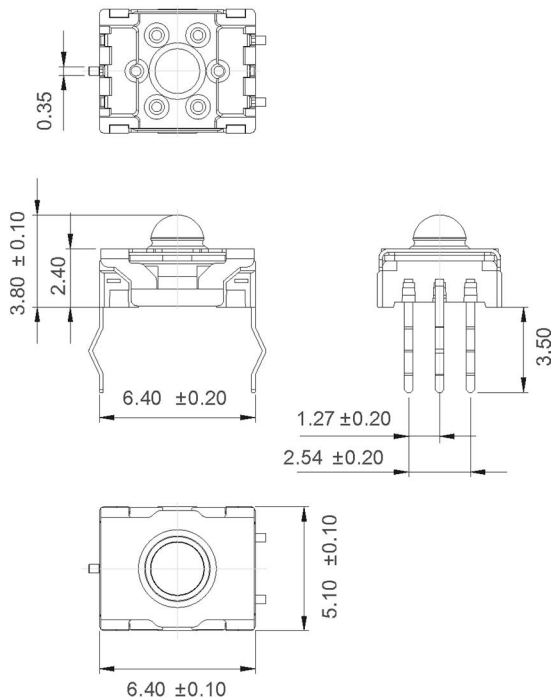
**Blister reel:**



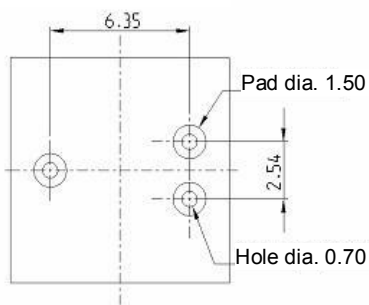
Beginning of blister reel: 54 spaces

**THT**

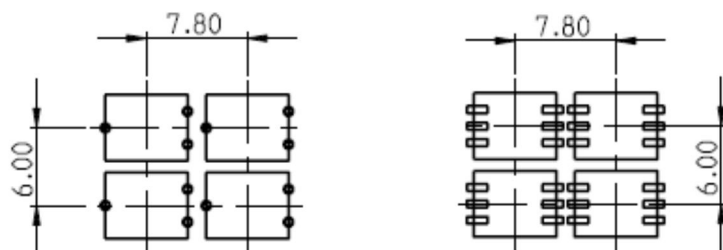
**Dimensional drawing  
 Standard version**



**Hole pattern  
 on PCB**



**Minimum possible grid (keyswitch arrangement without plungers)**



### General information

The following range of system accessories is available with the MICON 5 keyswitch:

- Round plunger, opaque, non-illuminable
- Square plunger, illuminable
- Square plunger, spot-illumination
- Round plunger, opaque, ring illumination
- Signal indicator
- RK 90 keycap

The MICON 5 plungers are designed to match the standard keyswitch versions (3.85 mm height), i.e. the specifications in the data sheet are only applicable to the standard versions (THT and SMT).

Mechanical strength 30 N max.

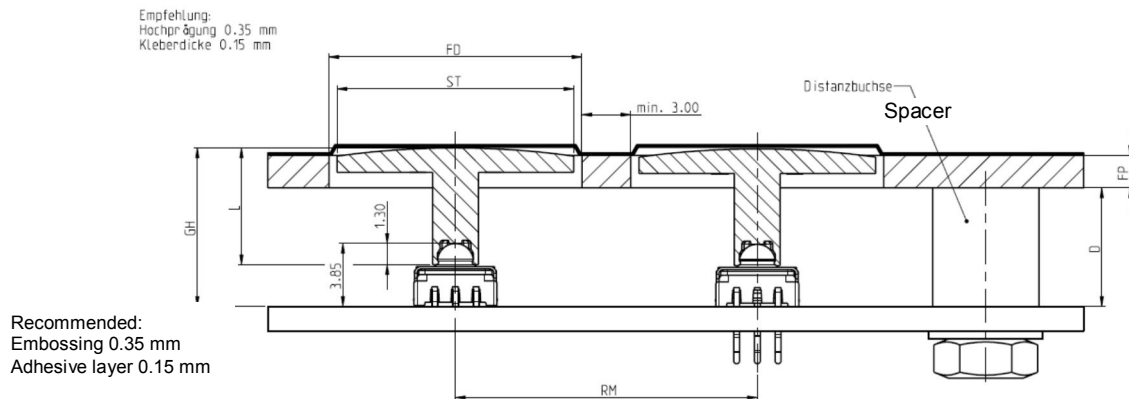


**Round plungers, opaque, non-illuminable**



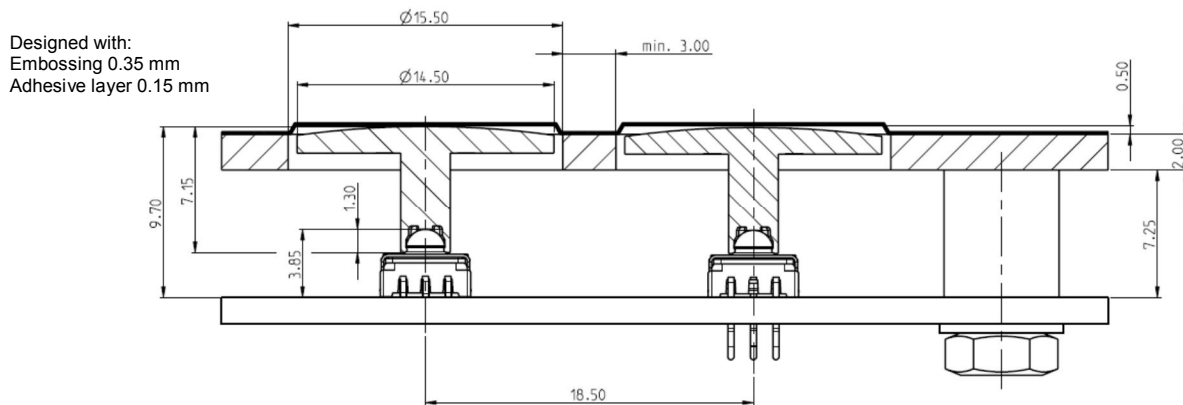
Plunger diameter [mm]	Plunger length L [mm]	Overall height with embossing [mm]	Plunger colour	Order no.
6.0	3.0	5.55	white	5.46.001.103/0200
6.0	3.45	6.0	white	5.46.001.104/0200
6.0	3.95	6.5	white	5.46.001.105/0200
6.0	4.45	7.0	white	5.46.001.106/0200
6.0	7.15	9.7	white	5.46.001.107/0200
6.0	9.95	12.5	white	5.46.001.108/0200
8.0	5.5	8.05	white	5.46.001.121/0200
8.0	10.3	12.85	white	5.46.001.122/0200
8.0	3.0	5.55	white	5.46.001.123/0200
8.0	3.45	6.0	white	5.46.001.124/0200
8.0	3.95	6.5	white	5.46.001.125/0200
8.0	4.45	7.0	white	5.46.001.126/0200
8.0	7.15	9.7	white	5.46.001.127/0200
8.0	9.95	12.5	white	5.46.001.128/0200
11.5	5.5	8.05	white	5.46.001.141/0200
11.5	10.3	12.85	white	5.46.001.142/0200
11.5	3.0	5.55	white	5.46.001.143/0200
11.5	3.45	6.0	white	5.46.001.144/0200
11.5	3.95	6.5	white	5.46.001.145/0200
11.5	4.45	7.0	white	5.46.001.146/0200
11.5	7.15	9.7	white	5.46.001.147/0200
11.5	9.95	12.5	white	5.46.001.148/0200
14.5	3.0	5.55	white	5.46.001.163/0200
14.5	3.45	6.0	white	5.46.001.164/0200
14.5	3.95	6.5	white	5.46.001.165/0200
14.5	4.45	7.0	white	5.46.001.166/0200
14.5	7.15	9.7	white	5.46.001.167/0200
14.5	9.95	12.5	white	5.46.001.168/0200
19.0	3.0	5.55	white	5.46.001.183/0200
19.0	3.45	6.0	white	5.46.001.184/0200
19.0	3.95	6.5	white	5.46.001.185/0200
19.0	4.45	7.0	white	5.46.001.186/0200
19.0	7.15	9.7	white	5.46.001.187/0200
19.0	9.95	12.5	white	5.46.001.188/0200

**Typical system design under overlay, round plungers, opaque, non-illuminable**

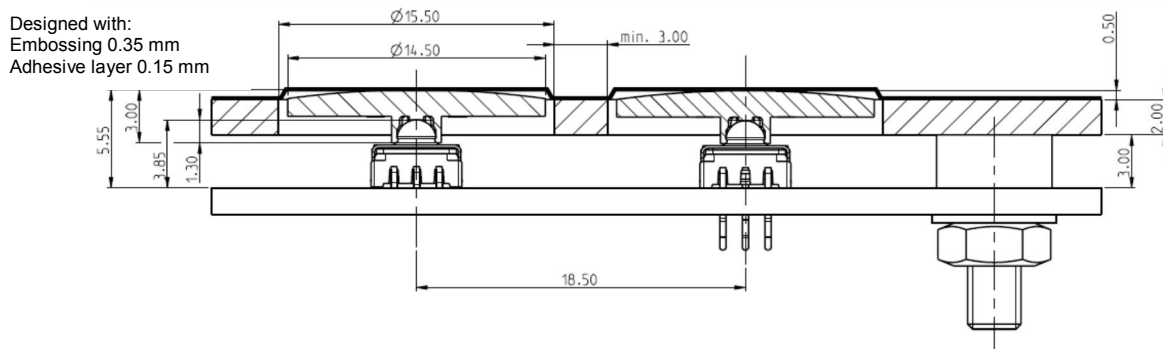


- D - Spacer length  $D = GH - FP - 0.5$  (embossing height + adhesive layer)
- ST - Plunger diameter
- FD - Front panel cut-out  $FD = ST + 1$  mm
- FP - Front panel thickness
- RM - Grid spacing  $RM = FD + 3$  mm min.
- GH - Overall height  $GH = 3.85$  mm + L - 1.3
- L - Plunger overall length L

**RAFI standard system design, 9.70 mm height, round plunger, opaque, non-illuminable**



**Lowest system design, 5.55 mm height, round plunger, opaque, non-illuminable**





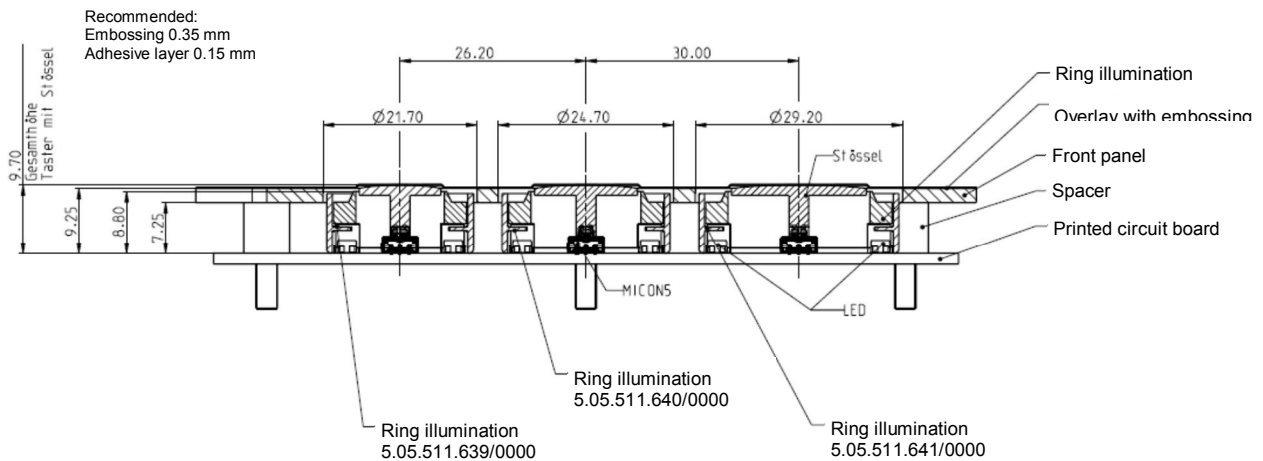
**Round plunger, opaque, ring illumination**



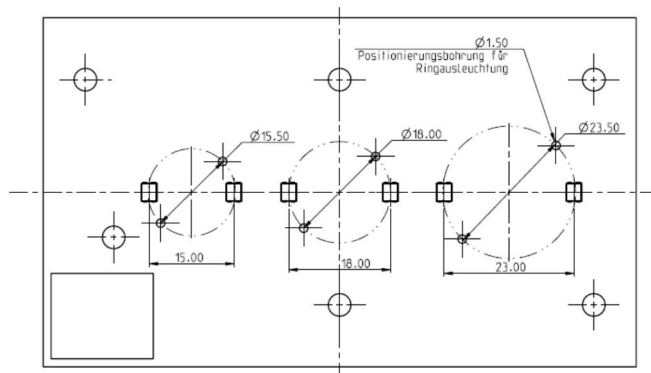
Overall height GH with embossing [mm]	Ring illumination diameter RA [mm]	Non-illuminated plunger diameter [mm]	Order no.
9.70	20.70	11.50	5.05.511.641/0000
9.70	23.70	14.50	5.05.511.640/0000
9.70	28.20	19.00	5.05.511.639/0000

A MICON system design with ring illumination is only possible with the type height 9.70 mm. We recommend back printing the ring illumination area with a diffusing ink. For the actuating area, back printing with an opaque ink is recommended.

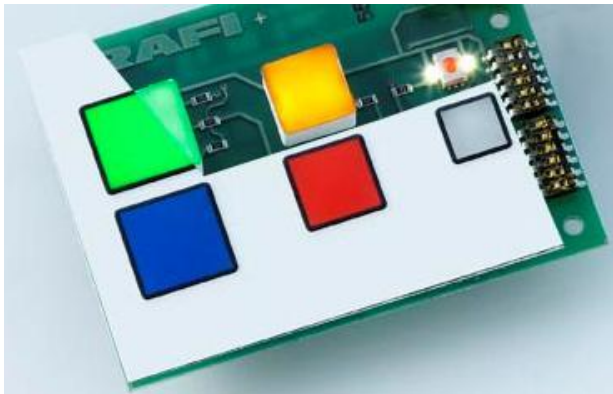
**Typical system design with 9.70 mm height, round plunger, opaque, ring illumination**



**Hole pattern of PCB**



## Square plungers, illuminable



### Illuminable plungers 11 x 11 mm

Overall height GH with embossing [mm]	Lens colour	Order no.
9.70	red	5.05.511.470/2300
9.70	green	5.05.511.470/2500
9.70	yellow	5.05.511.470/2400
9.70	white	5.05.511.470/2200
9.70	blue	5.05.511.470/2600
12.5	red	5.05.511.471/2300
12.5	green	5.05.511.471/2500
12.5	yellow	5.05.511.471/2400
12.5	white	5.05.511.471/2200
12.5	blue	5.05.511.471/2600



### Illuminable plungers 14.5 x 14.5 mm

Overall height GH with embossing [mm]	Lens colour	Order no.
9.70	red	5.05.511.475/2300
9.70	green	5.05.511.475/2500
9.70	yellow	5.05.511.475/2400
9.70	white	5.05.511.475/2200
9.70	blue	5.05.511.475/2600
12.5	red	5.05.511.476/2300
12.5	green	5.05.511.476/2500
12.5	yellow	5.05.511.476/2400
12.5	white	5.05.511.476/2200
12.5	blue	5.05.511.476/2600

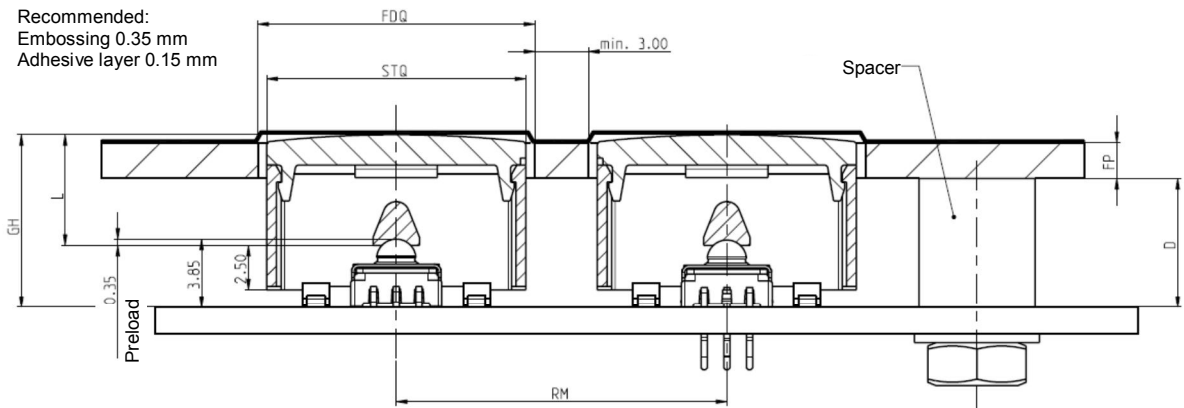


### Illuminable plungers 18 x 18 mm

Overall height GH with embossing [mm]	Lens colour	Order no.
9.70	red	5.05.511.480/2300
9.70	green	5.05.511.480/2500
9.70	yellow	5.05.511.480/2400
9.70	white	5.05.511.480/2200
9.70	blue	5.05.511.480/2600
12.5	red	5.05.511.481/2300
12.5	green	5.05.511.481/2500
12.5	yellow	5.05.511.481/2400
12.5	white	5.05.511.481/2200
12.5	blue	5.05.511.481/2600

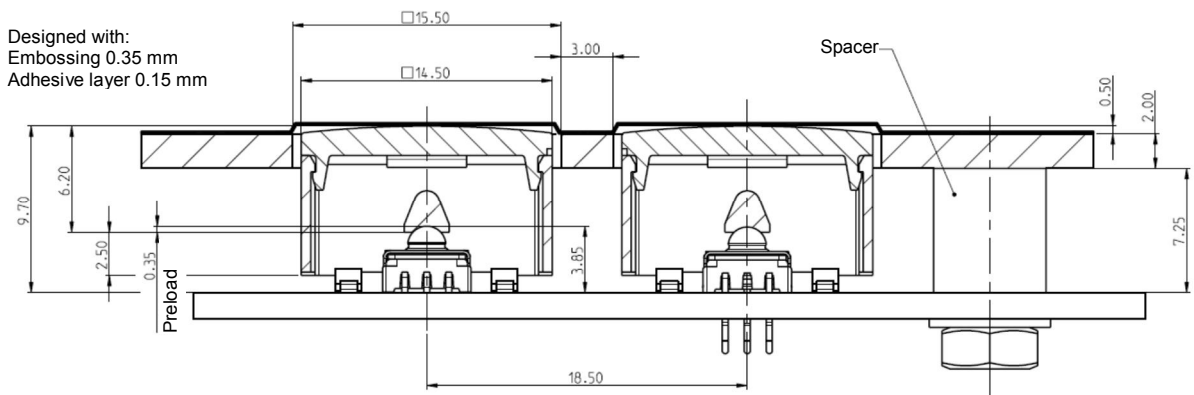


**Typical system design under overlay, square plungers, illuminable**

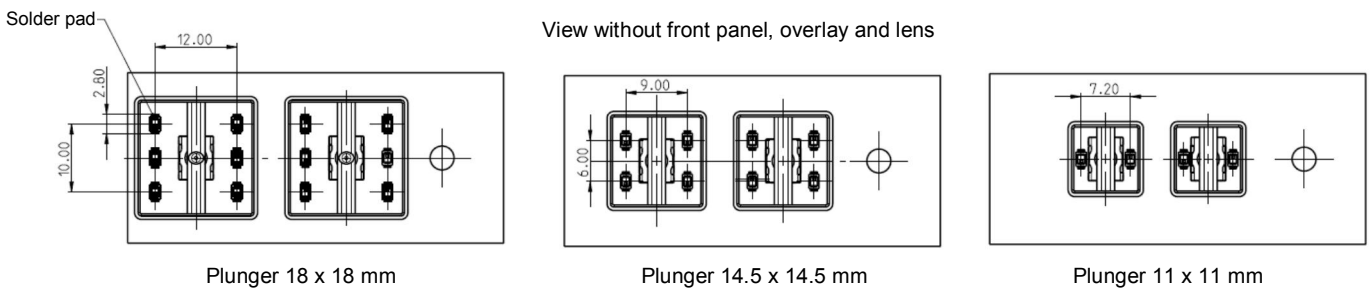


- D - Spacer length  $D = GH - FP - 0.5$  (embossing height + adhesive layer)
- L - Plunger length
- STQ - Width of square plunger
- FDQ - Square panel cut-out  $FDQ = STQ + 1$  mm
- FP - Front panel thickness
- RM - Grid spacing  $RM = FDQ + 3$  mm min.

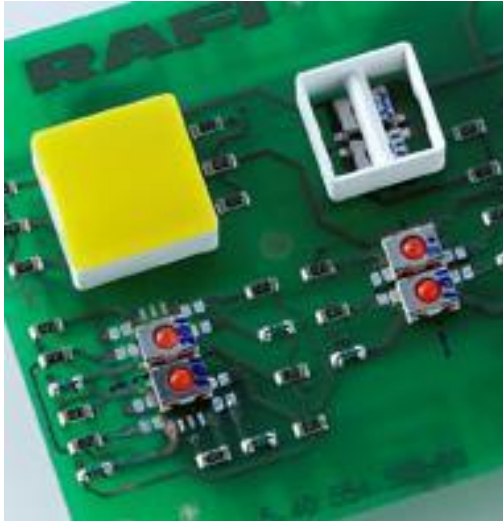
**RAFI standard system design, 9.70 mm height, square plunger, illuminable**



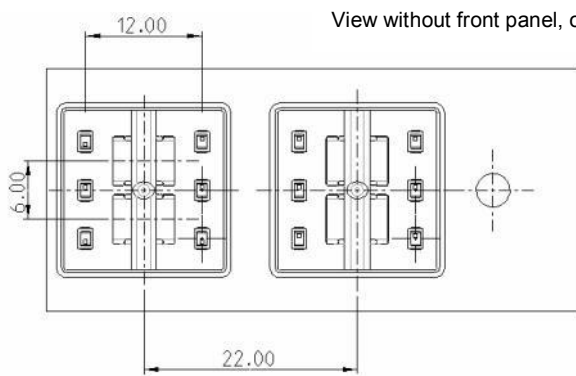
**Possible arrangement of LEDs with square plunger, illuminable**



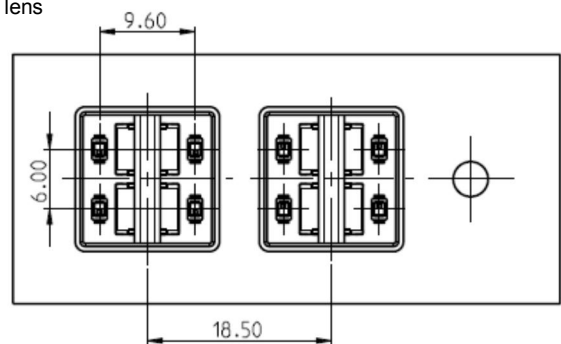
Redundant system design with illuminable plungers MICON  
1.14.002.201, 1.5 N



The keyswitch type **1.14.002.201/0000** is designed only for use in a **redundant system** with another SMT keyswitch of standard height. For a redundant system design, the plunger sizes 14.5 x 14.5 mm or 18 x 18 mm must be used.

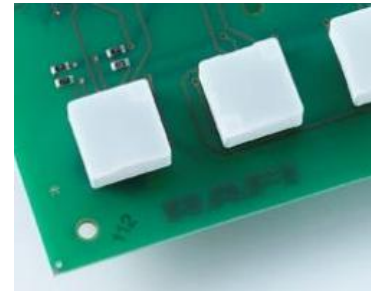
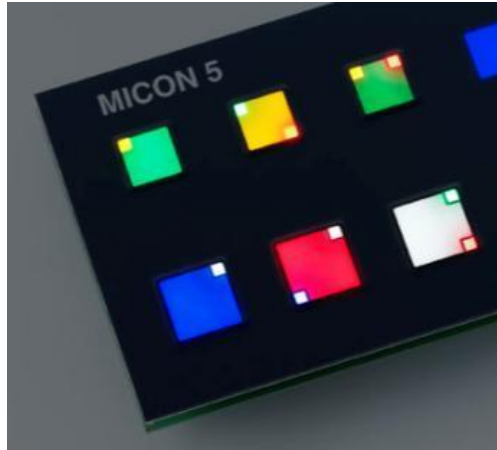


Plunger size 18 x 18 mm



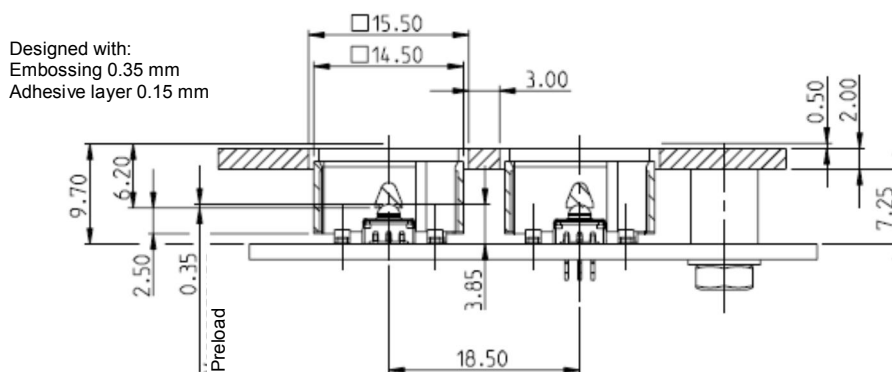
Plunger size 14.5 x 14.5 mm

Square plungers, spot-illumination



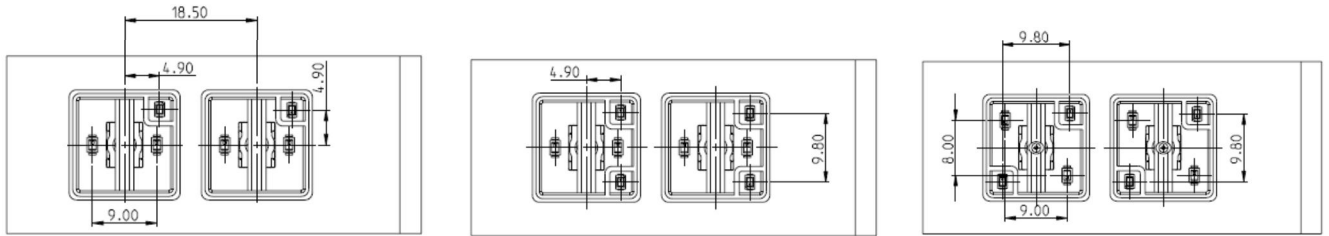
Overall height GH with embossing [mm]	Lens colour	Dimensions [mm]	Spot-illumination	Order no.
9,70	white	14.5 x 14.5		5.05.511.649/2200
9,70	white	14.5 x 14.5		5.05.511.650/2200
9,70	white	14.5 x 14.5		5.05.511.651/2200
9,70	white	18 x 18		5.05.511.658/2200
9,70	white	18 x 18		5.05.511.659/2200
9,70	white	18 x 18		5.05.511.660/2200

RAFI standard system design, 9.70 mm height, square plunger, spot-illumination

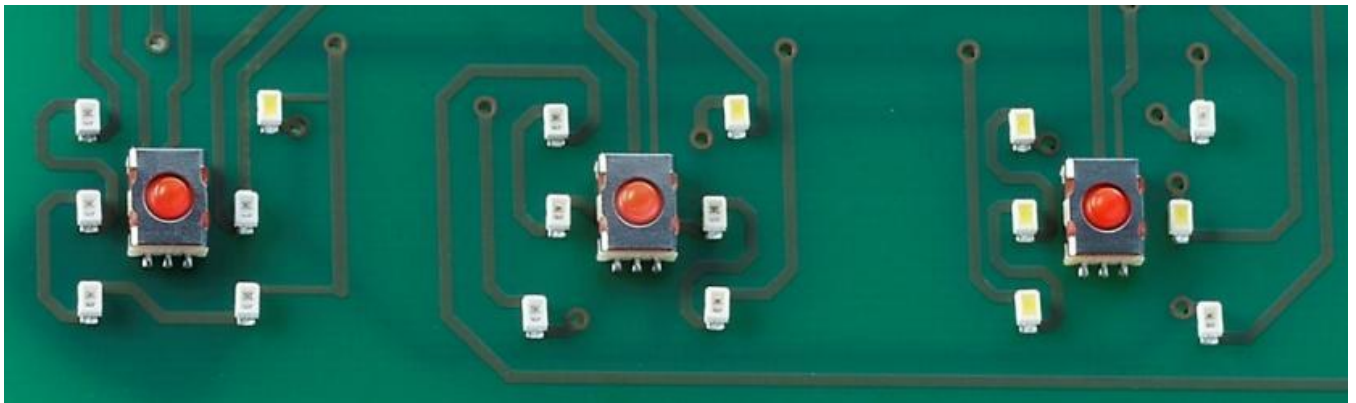
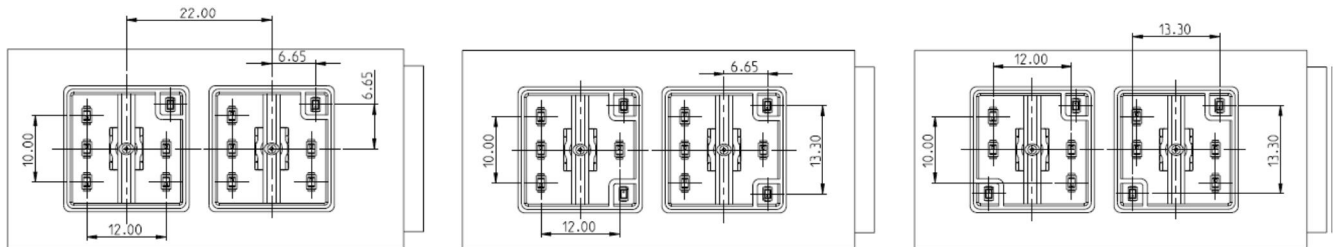


Possible arrangement of LEDs with square plunger, spot illumination

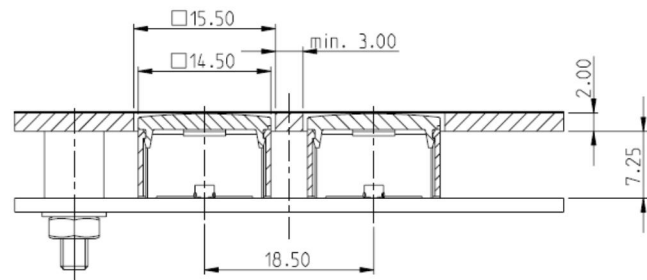
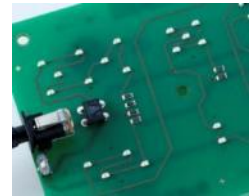
Spot illumination, 14.5 x 14.5



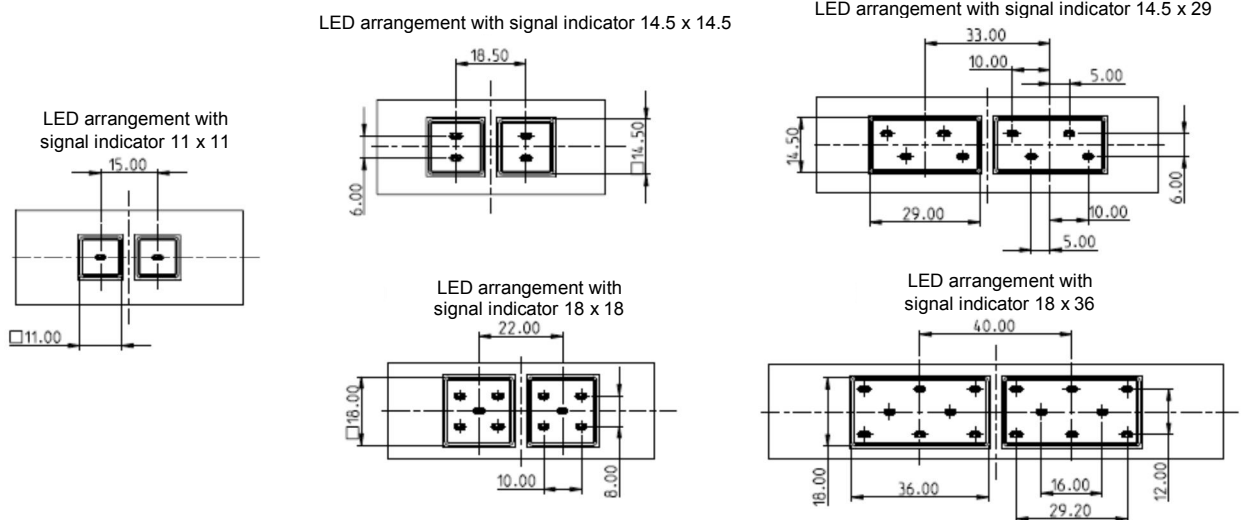
Spot illumination, 18 x 18



**RAFI standard system design, 9.70 mm height, signal indicator**



**Possible arrangement of LEDs with signal indicator**

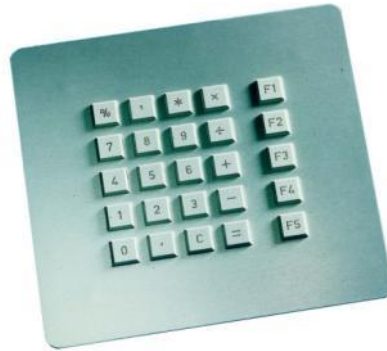


**Signal indicator**

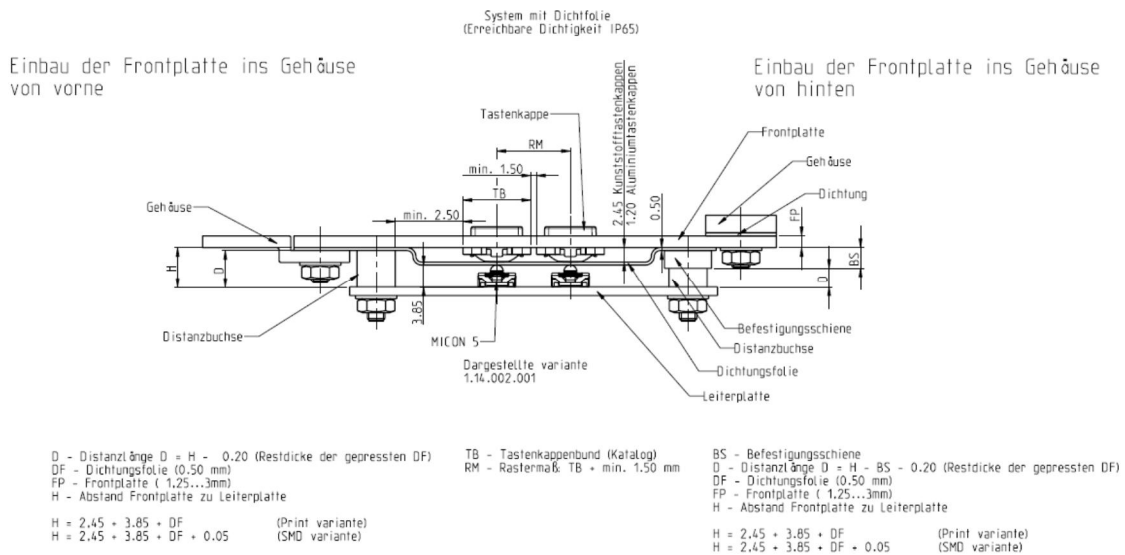
Overall height GH with embossing [mm]	Lens colour	Dimensions [mm]	Description	Order no.
9.70	white	11 x 11	1-module	5.05.005.182/2200
9.70	white	14.5 x 14.5	1-module	5.05.005.175/2200
9.70	white	18 x 18	1-module	5.05.005.176/2200
9.70	white	14.5 x 29	2-module	5.05.005.177/2200
9.70	white	18 x 36	2-module	5.05.005.178/2200

Other lens colours available on request

**Typical system design under keycap, RK 90, 9 x 9 mm**



**Typical system design degree of protection IP65**



**Typical system design under keycap, RK 90, 9 x 9 mm, IP40**

