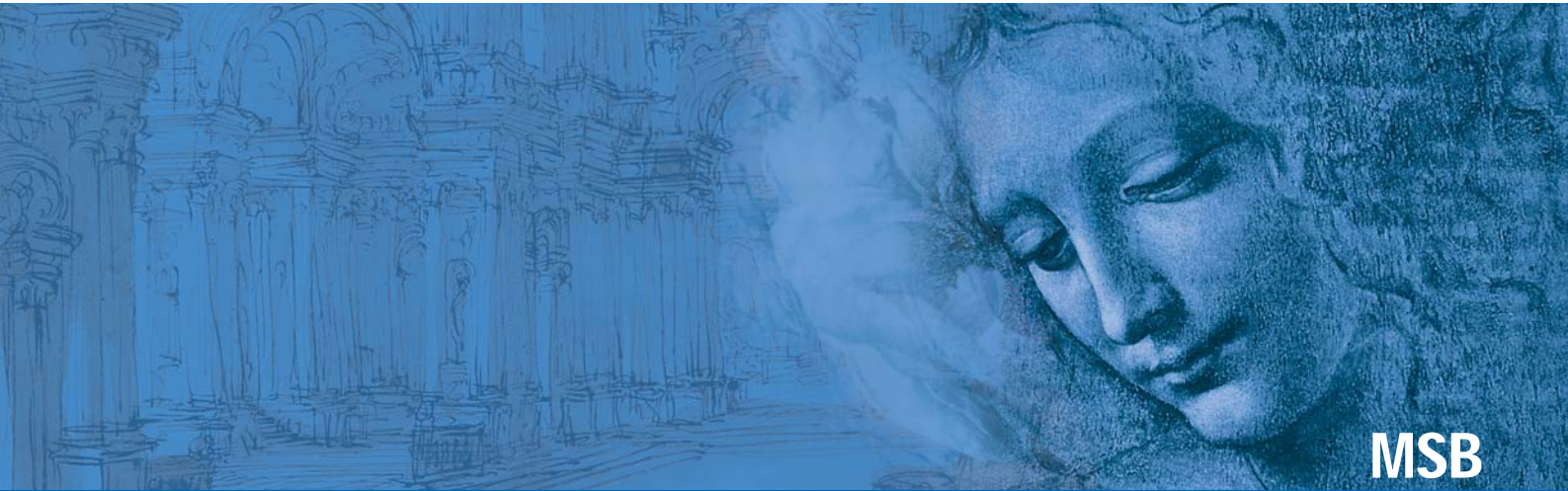




GREEN ELECTRONICS



**MSB**

Terminal Blocks



ISO  
9001



ISO  
14001



BS OHSAS  
18001:2007



**SAURO**<sup>®</sup>  
**ELECTRONIC CONNECTORS**  
*by the law*

Distributed by:



[www.texim-europe.com](http://www.texim-europe.com)

**Functional characteristics****Dimensional class:**

low

**Standard colour:**

green

**Height:**

10 mm (.394 in)

**Max approved wire sections:**solid: 1.5 mm<sup>2</sup> (IMQ); 16 AWG (UL)stranded 1 mm<sup>2</sup> (IMQ); 16 AWG (UL)

solid and stranded for 55° and "T" version

1.5 mm<sup>2</sup> (IEC EN); 14 AWG (UL)**clamp opening size:**

2.5 x 1.7 mm (.098 x .067 in)

2.5 x 1.9 mm (.098 x .075 in) 55° version

2.45 x 1.98 mm (.096 x .078 in) "T" version

**Versions:**

side stackable,

modular

**single mould poles:**

from 2 to 25

**Pitches:**

metric 5 mm, 10 mm

(.197 in, .394 in)

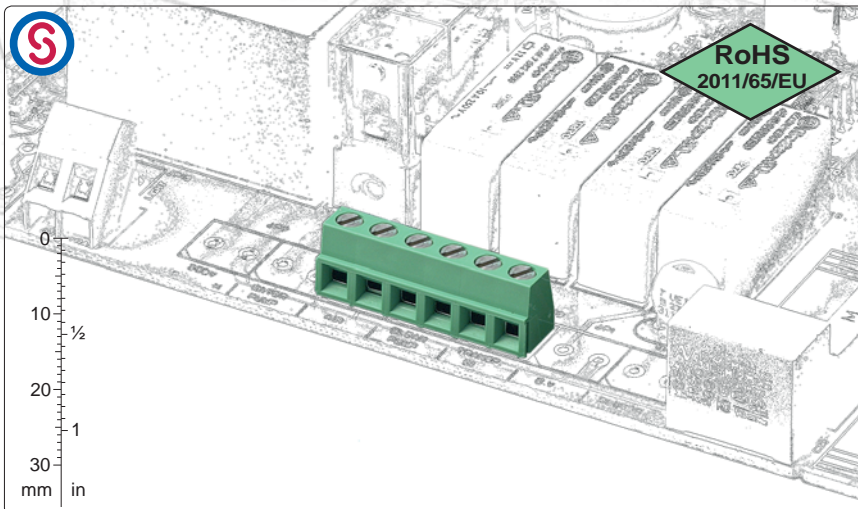


imperial 5.08 mm, 10.16 mm

(.200 in, .400 in)

**Solderable at a temperature up to**

270°C / 518°F

straight version  
modularstraight version  
modular90° version  
modular

S 270°C

straight, modular



S 270°C

straight, side stackable



S 270°C

from 2 to 9 poles  
BSC\_00\_0R  
for rising clamp

S 270°C

55° version  
side stackable

S 270°C

55° version  
modular

S 270°C

"T" version with central pin  
modular**Brief description**

Although the **MSB** series of terminal blocks is small in size it offers a **high number of connection possibilities**; in fact it can wire up to **1.5mm<sup>2</sup> (15 AWG)** and consequently a certified current range of **17.5A** can be reached.

It is available in 5 mm (.197 in) and 10 mm (.394 in) metric pitches and 5.08 mm (.200 in) and 10.16 mm (.400 in) Imperial pitches, in monolithic blocks from 2 to 25 poles, with insertion of the wire parallel to the PCB, inclined at 55° or at 90° standard or in "T" version.

All the housings are modular, therefore it is possible to mounted on the PCB the monolithic terminal blocks **from 2 to 25 poles** separately, or to compose the basic terminal blocks until any number of poles is obtained. By taking advantage of this particular characteristic a minimum stock of

basic terminal blocks can be kept.

It is simple to manage product, warehouse and assembly with the Kit packages because several versions can be achieved with only one code, the part-numbers being significantly reduced and the risk of making mistakes is also reduced.

**MSB with pegs**

The straight 2 pole MSB is also available with clamping pegs moulded in the plastic housing to secure it to the PCB. With this solution the nominal tightening torque can be applied and the most restrictive guidelines set by the international standards (VDE) are passed.

## Characteristics of components

M3 nickel plated copper alloy screw.

Polyamide housing.

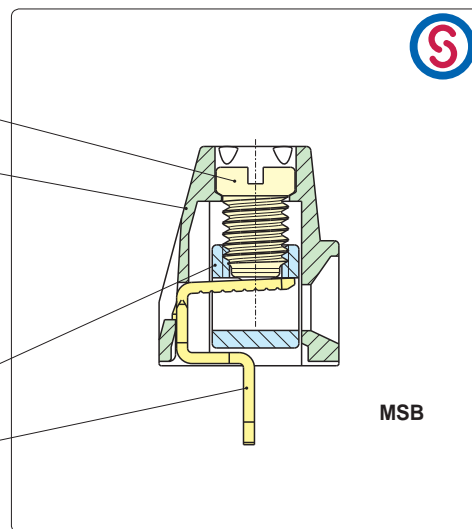
Standard colour: GREEN.

V0 self-extinguishing according to UL 94.

Chlorinated solvents resistant,  
with no phosphor, dioxin or  
detrimental to health halogens.

Nickel plated copper alloy clamp

Easy to solder lead-free  
tin-plated copper alloy pin.



## Mechanical characteristics

Recommended/highest tightening torque	0.5/0.6 Nm (4.42/5.31 lbf-in)
PCB thickness:	max. 2.4 mm (.094 in)
PCB hole diameter:	min. 1.1 mm (.043 in) / 1.3 mm (.051 in) for "T" version
Stripping length	5 ÷ 6 mm (.197 ÷ .24 in)
Operating temperature range	-40 °C ÷ +110 °C (-40 °F ÷ +230 °F)
Climatic category	40/110/21 According to EN 60068-1

## Electrical characteristics\*

Solid wire section	30÷16 AWG (UL)* 0.05÷1.5 mm <sup>2</sup> (IMQ)* 30÷14 AWG (UL)* 0.05÷1.5 mm <sup>2</sup> (IEC EN)* 55° and "T" versions
Stranded wire section	30÷16 AWG (UL)* 0.05÷1 mm <sup>2</sup> (IMQ)* 30÷14 AWG (UL)* 0.05÷1.5 mm <sup>2</sup> (IEC EN)* 55° and "T" versions
Rated voltage for 5 mm (.197 in) and 5.08 mm (.200 in)	300 V (UL)*
Rated voltage for 10 mm (.394 in) and 10.16 mm (.400 in)	750 V (IMQ)*
Rated current	17.5 A (IMQ)*
Contact resistance	<15 mΩ
Insulation resistance	>10 <sup>9</sup> Ω (500V DC)

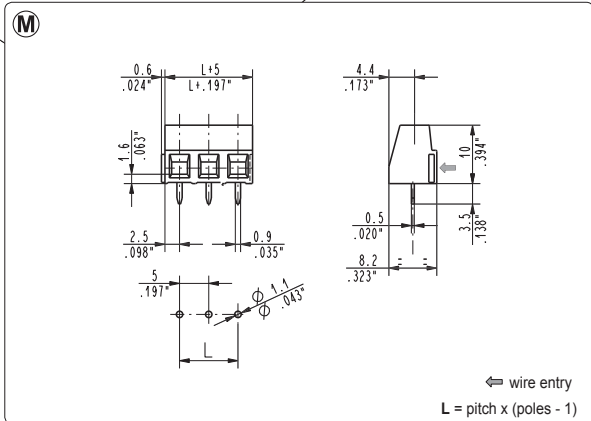
\*All the above mentioned data refer to the highest values amongst the certified ones.

V voltage, I current values and tightening torque are related to the norms to be applied to the product and to its use.

## Approvals

IEC-EN	IEC:	250 V - T 110 - 17.5 A - 1.5 mm <sup>2</sup> solid (13.5 A - 1 mm <sup>2</sup> stranded) for 5 mm and 5.08 mm pitch
	EN 60998	250 V - T 110 - 17.5 A - 1.5 mm <sup>2</sup> solid and stranded for 55° and "T" versions and 5 mm and 5.08 mm pitch 750 V - T 110 - 17.5 A - 1.5 mm <sup>2</sup> solid (13.5 A - 1 mm <sup>2</sup> stranded) for 10 mm and 10.16 mm pitch 750 V - T 110 - 17.5 A - 1.5 mm <sup>2</sup> solid and stranded for 55° and "T" versions and 10 mm and 10.16 mm pitch
	UL:	300 V - 13.5 A (factory wiring), 10 A (field wiring) - 30÷16 AWG - 6 lbf-in for 5 mm, 5.08 mm pitch
	File E167473	300 V - 17.5 A (factory wiring), 15 A (field wiring) - 30÷14 AWG - 6 lbf-in for 55° and "T" versions 5 mm, 5.08 mm pitch 600 V - 13.5 A (factory wiring), 10 A (field wiring) - 30÷16 AWG - 6 lbf-in for 10 mm and 10.16 mm pitch 600 V - 17.5 A (factory wiring), 15 A (field wiring) - 30÷14 AWG - 6 lbf-in for 55° and "T" versions 10 mm and 10.16 mm pitch Application values for end-use equipment have to be in accordance to UL norms and applicable to them.
VDE	VDE:	250 V - 13.5 A - T 110 - 1 mm <sup>2</sup> for 5 mm and 5.08 mm pitch
	File n. 40022744	750 V - 13.5 A - T 110 - 1 mm <sup>2</sup> for 10 mm and 10.16 mm pitch
IMQ	IMQ:	250 V - T 110 - 17.5 A - 1.5 mm <sup>2</sup> solid (13.5 A - 1 mm <sup>2</sup> stranded) for 5 mm and 5.08 mm pitch
	File: EC318	750 V - T 110 - 17.5 A - 1.5 mm <sup>2</sup> solid (13.5 A - 1 mm <sup>2</sup> stranded) for 10 mm and 10.16 mm pitch
CSA	CSA:	300 V - 13.5 A - 30÷15 AWG for 5 mm, 5.08 mm pitch
	File LR102896	600 V - 13.5 A - 30÷15 AWG for 10 mm and 10.16 mm pitch

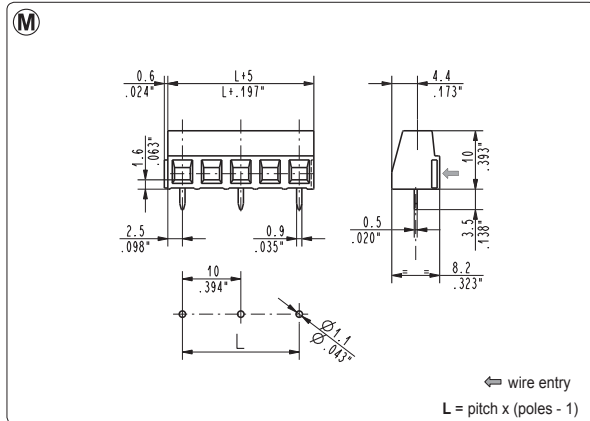
See also "Certifications", page 8



**MSB\_001** straight, modular

5 mm / .197" pitch

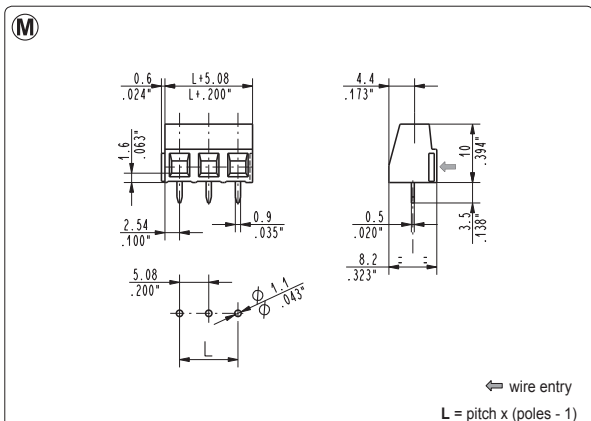
Poles	Code	Pcs/pack.	W [kg]*	Pcs/Ind.**	W [kg]*
02	MSB02001	800	1,42	2500	4,45
03	MSB03001	500	1,34	2500	6,68
04	MSB04001	400	1,42	2000	7,12
05	MSB05001	300	1,34	1750	7,79
06	MSB06001	250	1,34	1500	8,01
07	MSB07001	200	1,25	1000	6,23
08	MSB08001	175	1,25	750	5,34
09	MSB09001	150	1,20	750	6,01
10	MSB10001	125	1,11	500	4,45
11	MSB11001	125	1,22	500	4,90
12	MSB12001	100	1,07	500	5,34
13	MSB13001	100	1,16	500	5,79
14	MSB14001	100	1,25	500	6,23
15	MSB15001	100	1,34	500	6,68
16	MSB16001	100	1,42	500	7,12
17	MSB17001	100	1,51	500	7,57
18	MSB18001	100	1,60	500	8,01
19	MSB19001	100	1,69	500	8,46
20	MSB20001	100	1,78	500	8,90
21	MSB21001	100	1,87	250	4,67
22	MSB22001	100	1,96	250	4,90
23	MSB23001	100	2,05	250	5,12
24	MSB24001	100	2,14	250	5,34
25	MSB25001	75	1,67	250	5,56



**MSB\_002** straight, modular

10 mm / .394" pitch

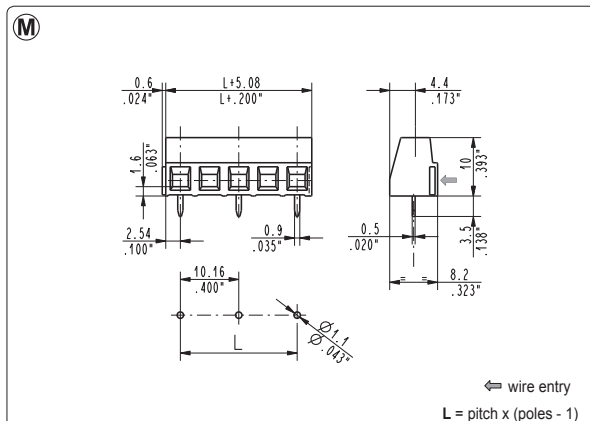
Poles	Code	Pcs/pack.	W [kg]*	Pcs/Ind.**	W [kg]*
01	MSB01002	800	0,82	2500	2,55
02	MSB02002	500	1,02	2500	5,10
03	MSB03002	300	0,92	1750	5,36
04	MSB04002	200	0,82	1000	4,08
05	MSB05002	150	0,77	750	3,83
06	MSB06002	125	0,77	500	3,06
07	MSB07002	100	0,71	500	3,57
08	MSB08002	100	0,82	500	4,08
09	MSB09002	100	0,92	500	4,59
10	MSB10002	100	1,02	500	5,10
11	MSB11002	100	1,12	250	2,81
12	MSB12002	100	1,22	250	3,06
13	MSB13002	75	0,99	250	3,32



**MSB\_005** straight, modular

5.08 mm / .200" pitch

Poles	Code	Pcs/pack.	W [kg]*	Pcs/Ind.**	W [kg]*
02	MSB02005	800	1,42	2500	4,45
03	MSB03005	500	1,34	2500	6,68
04	MSB04005	400	1,42	2000	7,12
05	MSB05005	300	1,34	1750	7,79
06	MSB06005	250	1,34	1500	8,01
07	MSB07005	200	1,25	1000	6,23
08	MSB08005	175	1,25	750	5,34
09	MSB09005	150	1,20	750	6,01
10	MSB10005	125	1,11	500	4,45
11	MSB11005	125	1,22	500	4,90
12	MSB12005	100	1,07	500	5,34
13	MSB13005	100	1,16	500	5,79
14	MSB14005	100	1,25	500	6,23
15	MSB15005	100	1,34	500	6,68
16	MSB16005	100	1,42	500	7,12
17	MSB17005	100	1,51	500	7,57
18	MSB18005	100	1,60	500	8,01
19	MSB19005	100	1,69	500	8,46
20	MSB20005	100	1,78	500	8,90
21	MSB21005	100	1,87	250	4,67
22	MSB22005	100	1,96	250	4,90
23	MSB23005	100	2,05	250	5,12
24	MSB24005	100	2,14	250	5,34
25	MSB25005	75	1,67	250	5,56



**MSB\_006** straight, modular

10.16 mm / .400" pitch

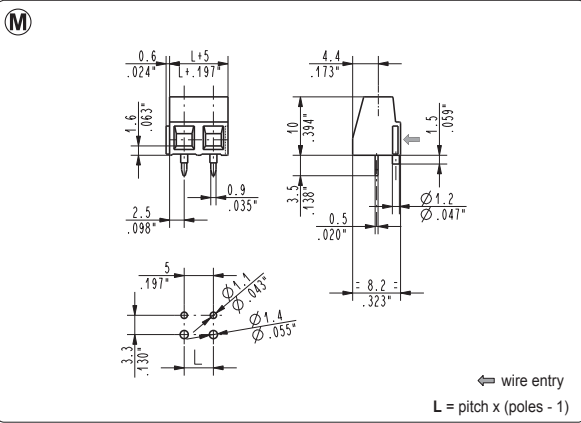
Poles	Code	Pcs/pack.	W [kg]*	Pcs/Ind.**	W [kg]*
01	MSB01006	800	0,82	2500	2,55
02	MSB02006	500	1,02	2500	5,10
03	MSB03006	300	0,92	1750	5,36
04	MSB04006	200	0,82	1000	4,08
05	MSB05006	150	0,77	750	3,83
06	MSB06006	125	0,77	500	3,06
07	MSB07006	100	0,71	500	3,57
08	MSB08006	100	0,82	500	4,08
09	MSB09006	100	0,92	500	4,59
10	MSB10006	100	1,02	500	5,10
11	MSB11006	100	1,12	250	2,81
12	MSB12006	100	1,22	250	3,06
13	MSB13006	75	0,99	250	3,32

Distributed by:

www.texim-europe.com

\*W [kg]: approximate weight per box in kg

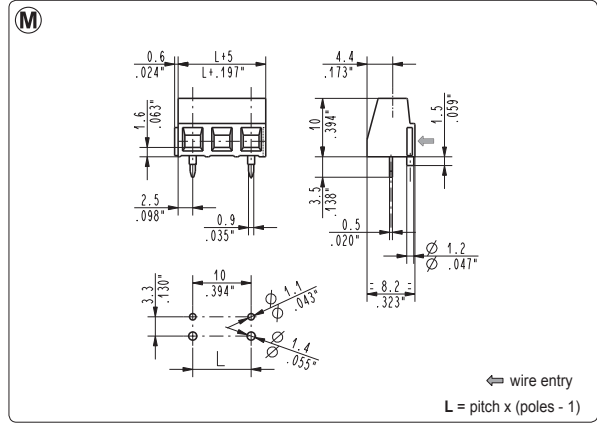
\*\*Industrial packaging: add "-00000E" at standard code



**MSB\_001-0000P** straight, modular with VDE pegs

5 mm / .197" pitch

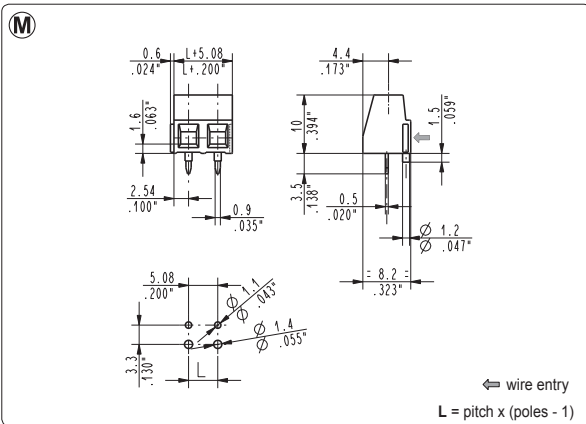
Poles	Code	Pcs/pack.	W [kg]*	Pcs/Ind.**	W [kg]*
02	MSB02001-0000P	800	1,42	2500	4,45
03	MSB03001-0000P	500	1,34	2500	6,68



**MSB\_002-0000P** straight, modular with VDE pegs

10 mm / .394" pitch

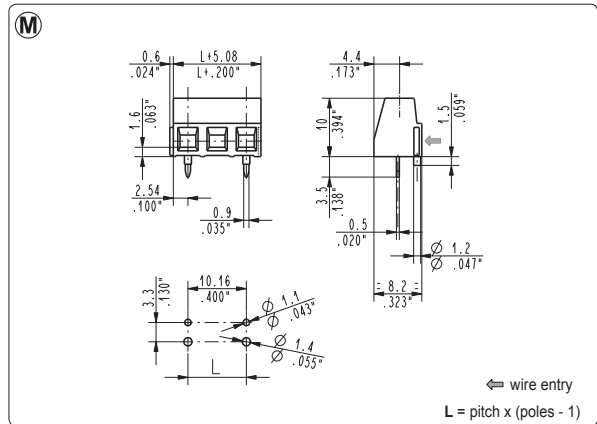
Poles	Code	Pcs/pack.	W [kg]*	Pcs/Ind.**	W [kg]*
02	MSB02002-0000P	500	1,02	2500	5,1
03	MSB03002-0000P	300	0,92	1750	5,36



**MSB\_005-0000P** straight, modular with VDE pegs

5.08 mm / .200" pitch

Poles	Code	Pcs/pack.	W [kg]*	Pcs/Ind.**	W [kg]*
02	MSB02005-0000P	800	1,42	2500	4,45
03	MSB03005-0000P	500	1,34	2500	6,68



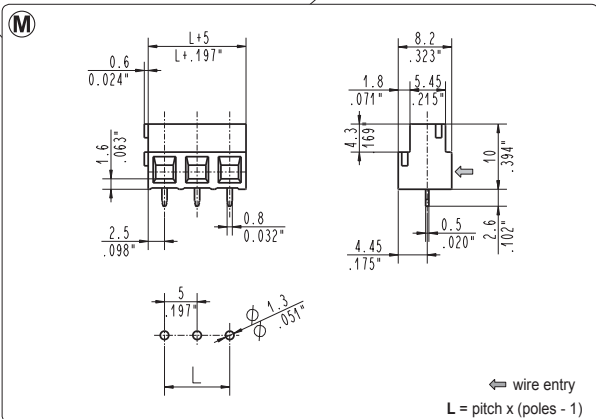
**MSB\_006-0000P** straight, modular with VDE pegs

10.16 mm / .400" pitch

Poles	Code	Pcs/pack.	W [kg]*	Pcs/Ind.**	W [kg]*
02	MSB02006-0000P	500	1,02	2500	5,1
03	MSB03006-0000P	300	0,92	1750	5,36

Distributed by:

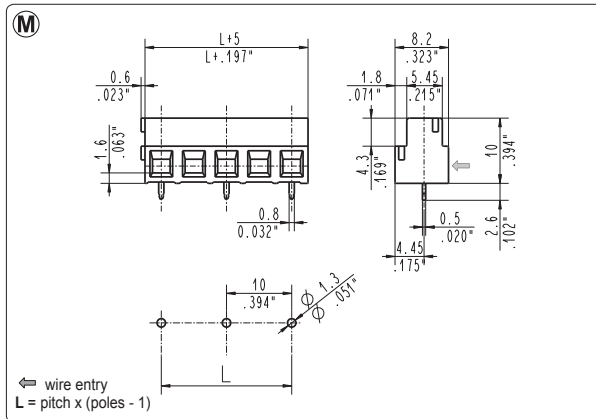
www.texim-europe.com



**MSBH\_0M1-0N** straight, modular

5 mm / .197" pitch

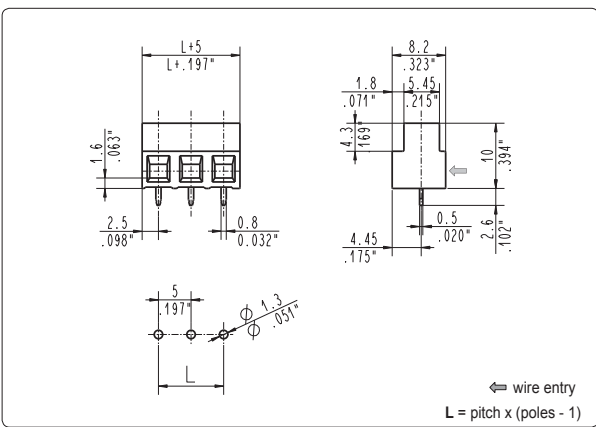
Poles	Code	Pcs/pack.	W [kg]*	Pcs/Ind.**	W [kg]*
02	MSBH020M1-0N	800	1,42	2500	4,45
03	MSBH030M1-0N	500	1,34	2500	6,68
04	MSBH040M1-0N	400	1,42	2000	7,12
05	MSBH050M1-0N	300	1,34	1750	7,79
06	MSBH060M1-0N	250	1,34	1500	8,01
07	MSBH070M1-0N	200	1,25	1000	6,23
08	MSBH080M1-0N	175	1,25	750	5,34
09	MSBH090M1-0N	150	1,20	750	6,01
10	MSBH100M1-0N	125	1,11	500	4,45
11	MSBH110M1-0N	125	1,22	500	4,90
12	MSBH120M1-0N	100	1,07	500	5,34



**MSBH\_0M2-0N** straight, modular

10 mm / .394" pitch

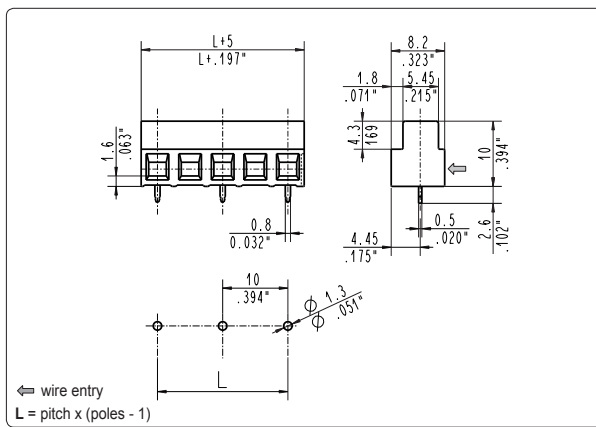
Poles	Code	Pcs/pack.	W [kg]*	Pcs/Ind.**	W [kg]*
02	MSBH020M2-0N	500	1,02	2500	5,10
03	MSBH030M2-0N	300	0,92	1750	5,36
04	MSBH040M2-0N	200	0,82	1000	4,08
05	MSBH050M2-0N	150	0,77	750	3,83
06	MSBH060M2-0N	125	0,77	500	3,06
07	MSBH070M2-0N	100	0,71	500	3,57
08	MSBH080M2-0N	100	0,82	500	4,08
09	MSBH090M2-0N	100	0,92	500	4,59
10	MSBH100M2-0N	100	1,02	500	5,10
11	MSBH110M2-0N	100	1,12	250	2,81
12	MSBH120M2-0N	100	1,22	250	3,06



**MSBH\_001-0N** straight, side stackable

5 mm / .197" pitch

Poles	Code	Pcs/pack.	W [kg]*	Pcs/Ind.**	W [kg]*
02	MSBH02001-0N	800	1,42	2500	4,45
03	MSBH03001-0N	500	1,34	2500	6,68
04	MSBH04001-0N	400	1,42	2000	7,12
05	MSBH05001-0N	300	1,34	1750	7,79
06	MSBH06001-0N	250	1,34	1500	8,01
07	MSBH07001-0N	200	1,25	1000	6,23
08	MSBH08001-0N	175	1,25	750	5,34
09	MSBH09001-0N	150	1,20	750	6,01
10	MSBH10001-0N	125	1,11	500	4,45
11	MSBH11001-0N	125	1,22	500	4,90
12	MSBH12001-0N	100	1,07	500	5,34



**MSBH\_002-0N** straight, side stackable

10 mm / .394" pitch

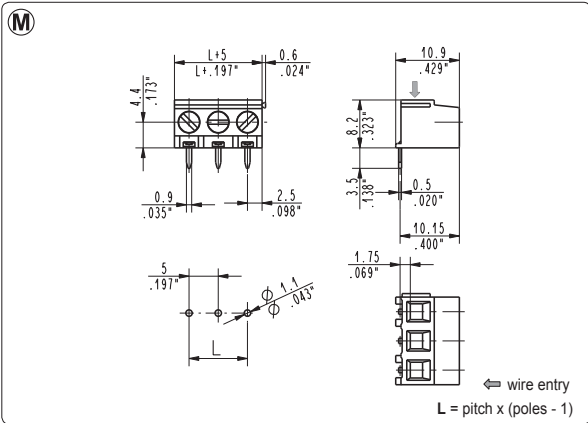
Poles	Code	Pcs/pack.	W [kg]*	Pcs/Ind.**	W [kg]*
02	MSBH02002-0N	500	1,02	2500	5,10
03	MSBH03002-0N	300	0,92	1750	5,36
04	MSBH04002-0N	200	0,82	1000	4,08
05	MSBH05002-0N	150	0,77	750	3,83
06	MSBH06002-0N	125	0,77	500	3,06
07	MSBH07002-0N	100	0,71	500	3,57
08	MSBH08002-0N	100	0,82	500	4,08
09	MSBH09002-0N	100	0,92	500	4,59
10	MSBH10002-0N	100	1,02	500	5,10
11	MSBH11002-0N	100	1,12	250	2,81
12	MSBH12002-0N	100	1,22	250	3,06

Distributed by:

www.texim-europe.com

\*W [kg]: approximate weight per box in kg

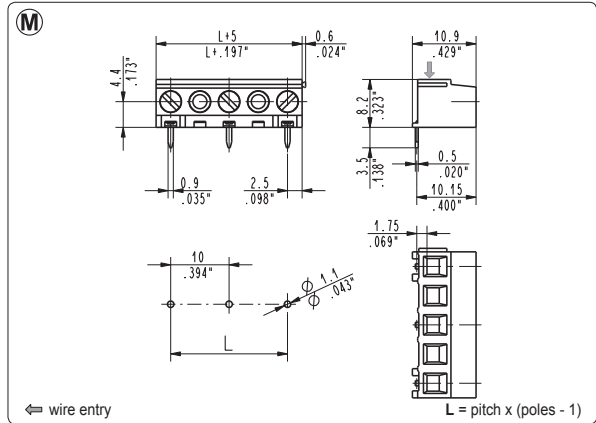
\*\*industrial packaging: add "-00000E" at standard code



**MSB\_091** 90°, modular

**5 mm / .197" pitch**

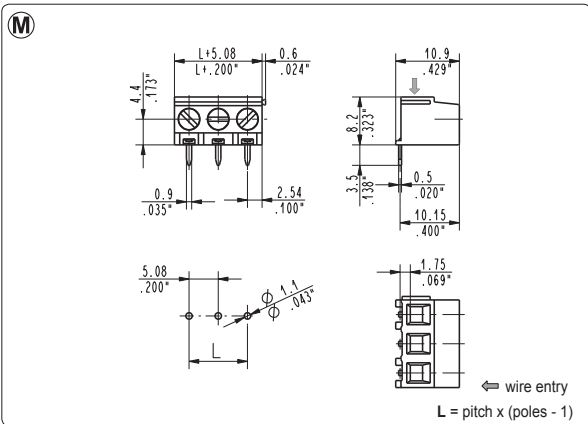
Poles	Code	Pcs/pack.	W [kg]*	Pcs/Ind.**	W [kg]*
02	MSB02091	800	1,42	2500	4,45
03	MSB03091	500	1,34	2500	6,68
04	MSB04091	400	1,42	2000	7,12
05	MSB05091	300	1,34	1750	7,79
06	MSB06091	250	1,34	1500	8,01
07	MSB07091	200	1,25	1000	6,23
08	MSB08091	175	1,25	750	5,34
09	MSB09091	150	1,20	750	6,01
10	MSB10091	125	1,11	500	4,45
11	MSB11091	125	1,22	500	4,90
12	MSB12091	100	1,07	500	5,34
13	MSB13091	100	1,16	500	5,79
14	MSB14091	100	1,25	500	6,23
15	MSB15091	100	1,34	500	6,68
16	MSB16091	100	1,42	500	7,12
17	MSB17091	100	1,51	500	7,57
18	MSB18091	100	1,60	500	8,01
19	MSB19091	100	1,69	500	8,46
20	MSB20091	100	1,78	500	8,90
21	MSB21091	100	1,87	250	4,67
22	MSB22091	100	1,96	250	4,90
23	MSB23091	100	2,05	250	5,12
24	MSB24091	100	2,14	250	5,34
25	MSB25091	75	1,67	250	5,56



**MSB\_092** 90°, modular

**10 mm / .394" pitch**

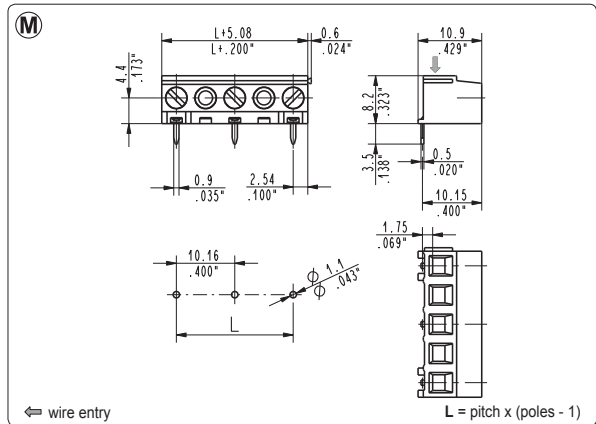
Poles	Code	Pcs/pack.	W [kg]*	Pcs/Ind.**	W [kg]*
01	MSB01092	800	0,82	2500	2,55
02	MSB02092	500	1,02	2500	5,10
03	MSB03092	300	0,92	1750	5,36
04	MSB04092	200	0,82	1000	4,08
05	MSB05092	150	0,77	750	3,83
06	MSB06092	125	0,77	500	3,06
07	MSB07092	100	0,71	500	3,57
08	MSB08092	100	0,82	500	4,08
09	MSB09092	100	0,92	500	4,59
10	MSB10092	100	1,02	500	5,10
11	MSB11092	100	1,12	250	2,81
12	MSB12092	100	1,22	250	3,06
13	MSB13092	75	0,99	250	3,32



**MSB\_095** 90°, modular

**5.08 mm / .200" pitch**

Poles	Code	Pcs/pack.	W [kg]*	Pcs/Ind.**	W [kg]*
02	MSB02095	800	1,42	2500	4,45
03	MSB03095	500	1,34	2500	6,68
04	MSB04095	400	1,42	2000	7,12
05	MSB05095	300	1,34	1750	7,79
06	MSB06095	250	1,34	1500	8,01
07	MSB07095	200	1,25	1000	6,23
08	MSB08095	175	1,25	750	5,34
09	MSB09095	150	1,20	750	6,01
10	MSB10095	125	1,11	500	4,45
11	MSB11095	125	1,22	500	4,90
12	MSB12095	100	1,07	500	5,34
13	MSB13095	100	1,16	500	5,79
14	MSB14095	100	1,25	500	6,23
15	MSB15095	100	1,34	500	6,68
16	MSB16095	100	1,42	500	7,12
17	MSB17095	100	1,51	500	7,57
18	MSB18095	100	1,60	500	8,01
19	MSB19095	100	1,69	500	8,46
20	MSB20095	100	1,78	500	8,90
21	MSB21095	100	1,87	250	4,67
22	MSB22095	100	1,96	250	4,90
23	MSB23095	100	2,05	250	5,12
24	MSB24095	100	2,14	250	5,34
25	MSB25095	75	1,67	250	5,56



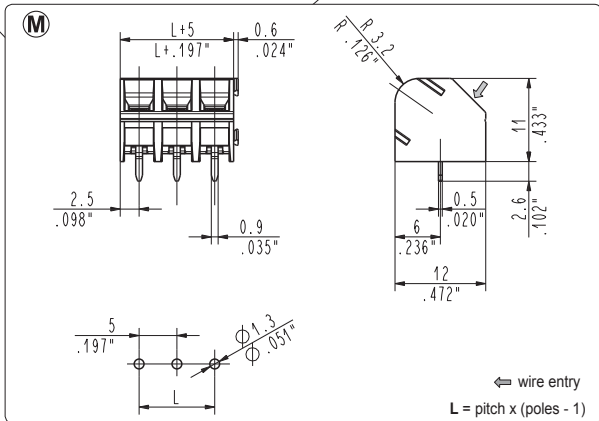
**MSB\_096** 90°, modular

**10.16 mm / .400" pitch**

Poles	Code	Pcs/pack.	W [kg]*	Pcs/Ind.**	W [kg]*
01	MSB01096	800	0,82	2500	2,55
02	MSB02096	500	1,02	2500	5,10
03	MSB03096	300	0,92	1750	5,36
04	MSB04096	200	0,82	1000	4,08
05	MSB05096	150	0,77	750	3,83
06	MSB06096	125	0,77	500	3,06
07	MSB07096	100	0,71	500	3,57
08	MSB08096	100	0,82	500	4,08
09	MSB09096	100	0,92	500	4,59
10	MSB10096	100	1,02	500	5,10
11	MSB11096	100	1,12	250	2,81
12	MSB12096	100	1,22	250	3,06
13	MSB13096	75	0,99	250	3,32

Distributed by:

[www.texim-europe.com](http://www.texim-europe.com)

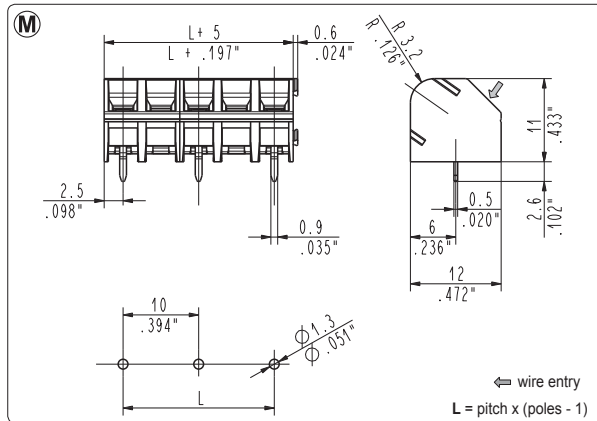


**MSB\_041** 55°, modular

5 mm / .197" pitch

Poles	Code	Pcs/pack.	W [kg]*	Pcs/Ind.**	W [kg]*
02	MSB02041	800	1,65	2000	4,12
03	MSB03041	500	1,55	1750	5,41
04	MSB04041	400	1,65	1000	4,12
05	MSB05041	300	1,55	750	3,86
06	MSB06041	250	1,55	500	3,09
07	MSB07041	200	1,44	500	3,61
08	MSB08041	175	1,44	500	4,12

max 8 poles can be combined

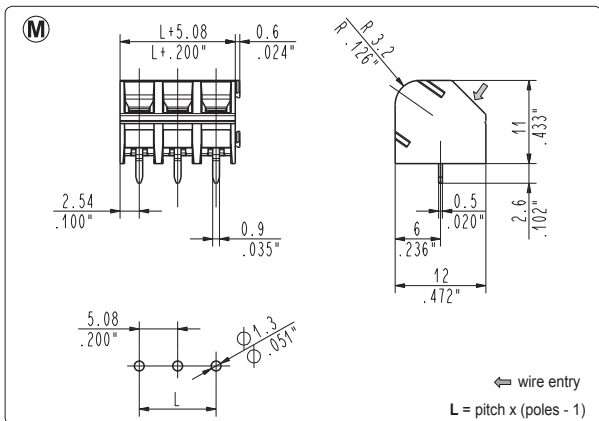


**MSB\_042** 55°, modular

10 mm / .394" pitch

Poles	Code	Pcs/pack.	W [kg]*	Pcs/Ind.**	W [kg]*
01	MSB01042	800	1,03	2000	2,58
02	MSB02042	500	1,29	2000	5,16
03	MSB03042	300	1,16	750	2,90
04	MSB04042	200	1,03	500	2,58

max 4 poles can be combined

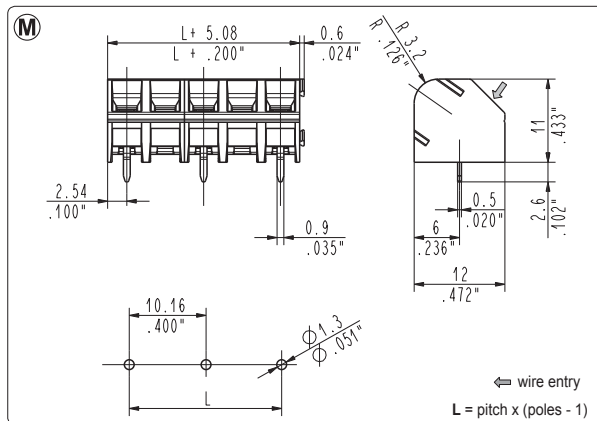


**MSB\_045** 55°, modular

5.08 mm / .200" pitch

Poles	Code	Pcs/pack.	W [kg]*	Pcs/Ind.**	W [kg]*
02	MSB02045	800	1,65	2000	4,12
03	MSB03045	500	1,55	1750	5,41
04	MSB04045	400	1,65	1000	4,12
05	MSB05045	300	1,55	750	3,86
06	MSB06045	250	1,55	500	3,09
07	MSB07045	200	1,44	500	3,61
08	MSB08045	175	1,44	500	4,12

max 8 poles can be combined



**MSB\_046** 55°, modular

10.16 mm / .400" pitch

Poles	Code	Pcs/pack.	W [kg]*	Pcs/Ind.**	W [kg]*
01	MSB01046	800	1,03	2000	2,58
02	MSB02046	500	1,29	2000	5,16
03	MSB03046	300	1,16	750	2,90
04	MSB04046	200	1,03	500	2,58

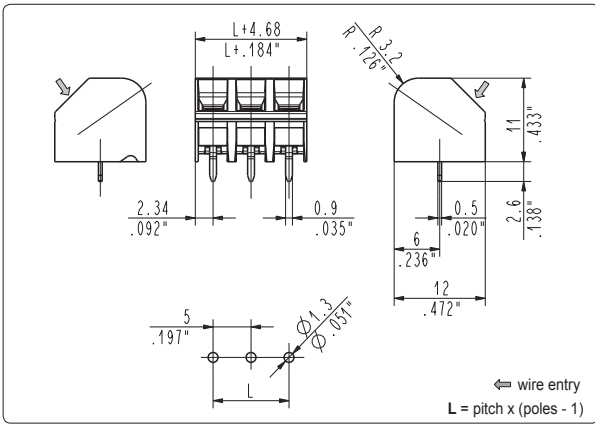
max 4 poles can be combined

Distributed by:



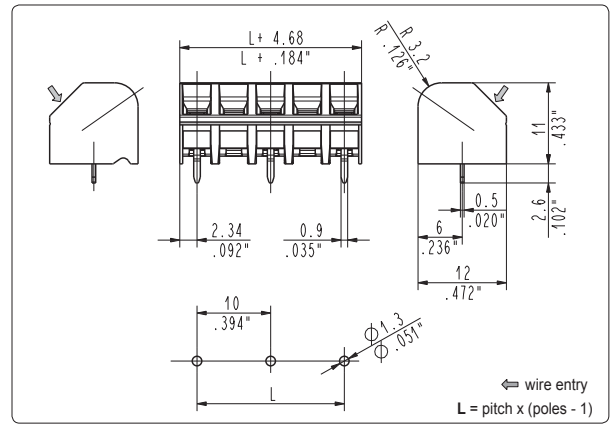
www.texim-europe.com





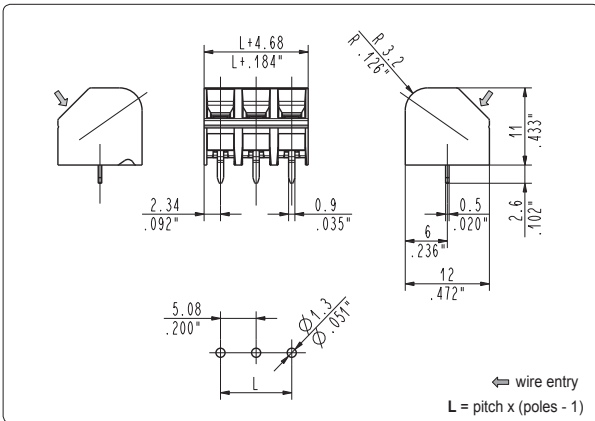
**MSB\_061** 55°, side stackable

5 mm / .197" pitch					
Poles	Code	Pcs/pack.	W [kg]*	Pcs/Ind.**	W [kg]*
02	MSB02061	800	1,65	2000	4,12
03	MSB03061	500	1,55	1750	5,41
04	MSB04061	400	1,65	1000	4,12
05	MSB05061	300	1,55	750	3,86
06	MSB06061	250	1,55	500	3,09
07	MSB07061	200	1,44	500	3,61
08	MSB08061	175	1,44	500	4,12



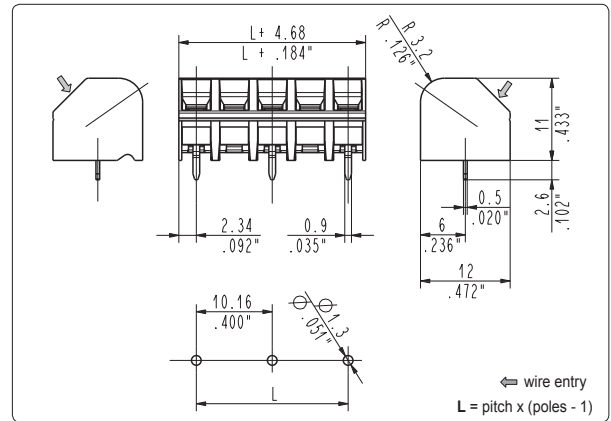
**MSB\_062** 55°, side stackable

10 mm / .394" pitch					
Poles	Code	Pcs/pack.	W [kg]*	Pcs/Ind.**	W [kg]*
01	MSB01062	800	1,03	2000	2,58
02	MSB02062	500	1,29	2000	5,16
03	MSB03062	300	1,16	750	2,90
04	MSB04062	200	1,03	500	2,58
05	MSB05062	125	0,81	500	3,23



**MSB\_065** 55°, side stackable

5.08 mm / .200" pitch					
Poles	Code	Pcs/pack.	W [kg]*	Pcs/Ind.**	W [kg]*
02	MSB02065	800	1,65	2000	4,12
03	MSB03065	500	1,55	1750	5,41
04	MSB04065	400	1,65	1000	4,12
05	MSB05065	300	1,55	750	3,86
06	MSB06065	250	1,55	500	3,09
07	MSB07065	200	1,44	500	3,61
08	MSB08065	175	1,44	500	4,12

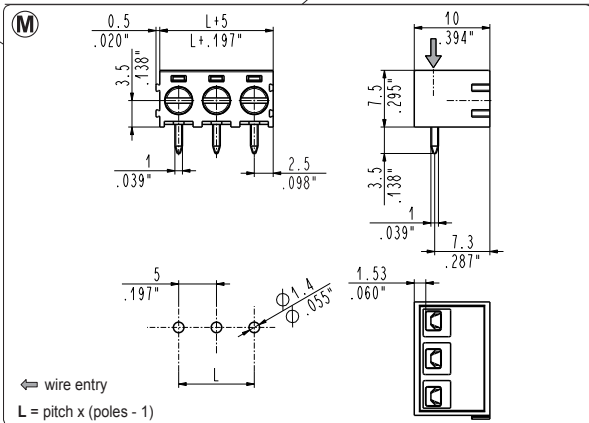


**MSB\_066** 55°, side stackable

10.16 mm / .400" pitch					
Poles	Code	Pcs/pack.	W [kg]*	Pcs/Ind.**	W [kg]*
01	MSB01066	800	1,03	2000	2,58
02	MSB02066	500	1,29	2000	5,16
03	MSB03066	300	1,16	750	2,90
04	MSB04066	200	1,03	500	2,58

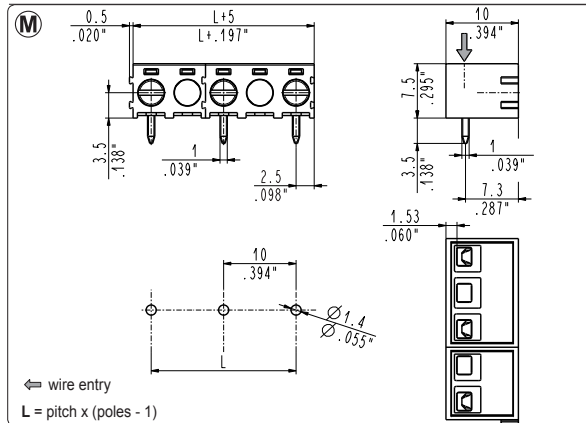
Distributed by:

www.texim-europe.com



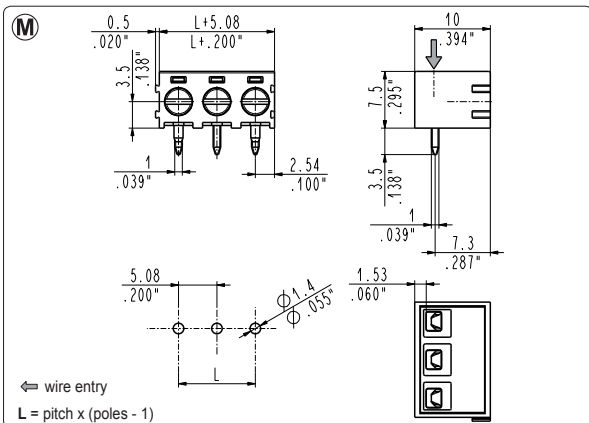
**MSB\_T01** 90° "T" version, modular

5 mm / .197" pitch						
Poles	Code	Pcs/pack.	W [kg]*	Pcs/Ind.**	W [kg]*	
02	MSB02T01	800	1,47	3500	6,44	
03	MSB03T01	500	1,38	2250	6,21	
04	MSB04T01	400	1,47	2000	7,36	
05	MSB05T01	300	1,38	1500	6,90	
06	MSB06T01	250	1,38	1000	5,52	
07	MSB07T01	200	1,29	1000	6,44	
08	MSB08T01	175	1,29	750	5,52	
09	MSB09T01	150	1,24	750	6,21	
10	MSB10T01	125	1,15	750	6,90	
11	MSB11T01	125	1,27	750	7,59	
12	MSB12T01	100	1,10	750	8,28	
13	MSB13T01	100	1,20	750	8,97	
14	MSB14T01	100	1,29	750	9,66	
15	MSB15T01	100	1,38	500	6,90	
16	MSB16T01	100	1,47	500	7,36	
17	MSB17T01	100	1,56	500	7,82	
18	MSB18T01	100	1,66	500	8,28	
19	MSB19T01	100	1,75	500	8,74	
20	MSB20T01	100	1,84	500	9,20	
21	MSB21T01	100	1,93	500	9,66	
22	MSB22T01	100	2,02	400	8,10	
23	MSB23T01	100	2,12	400	8,46	
24	MSB24T01	100	2,21	400	8,83	
25	MSB25T01	75	1,73	250	5,75	



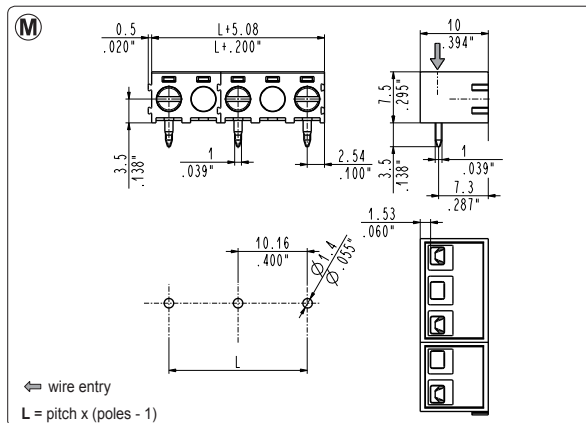
**MSB\_T02** 90° "T" version, modular

10 mm / .276" pitch						
Poles	Code	Pcs/pack.	W [kg]*	Pcs/Ind.**	W [kg]*	
01	MSB01T02	800	0,91	3500	3,99	
02	MSB02T02	500	1,14	2250	5,13	
03	MSB03T02	300	1,03	1500	5,13	
04	MSB04T02	200	0,91	1000	4,56	
05	MSB05T02	150	0,86	750	4,28	
06	MSB06T02	125	0,86	750	5,13	
07	MSB07T02	100	0,80	750	5,99	
08	MSB08T02	100	0,91	500	5,56	
09	MSB09T02	100	1,03	500	5,13	
10	MSB10T02	100	1,14	500	5,70	
11	MSB11T02	100	1,25	500	6,27	
12	MSB12T02	100	1,37	500	6,84	
13	MSB13T02	75	1,12	250	3,71	



**MSB\_T05** 90° "T" version, modular

5.08 mm / .200" pitch						
Poles	Code	Pcs/pack.	W [kg]*	Pcs/Ind.**	W [kg]*	
02	MSB02T05	800	1,47	3500	6,44	
03	MSB03T05	500	1,38	2250	6,21	
04	MSB04T05	400	1,47	2000	7,36	
05	MSB05T05	300	1,38	1500	6,90	
06	MSB06T05	250	1,38	1000	5,52	
07	MSB07T05	200	1,29	1000	6,44	
08	MSB08T05	175	1,29	750	5,52	



**MSB\_T06** 90° "T" version, modular

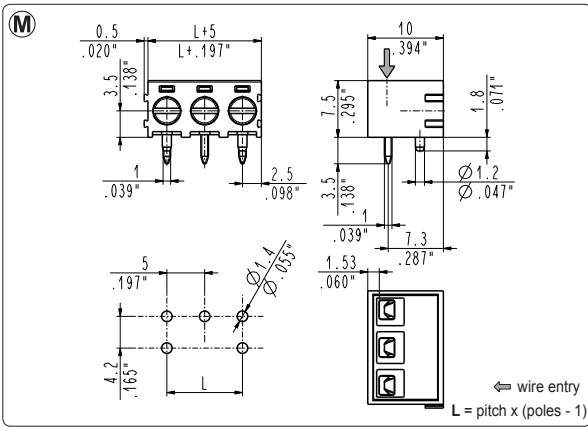
10.16 mm / .400" pitch						
Poles	Code	Pcs/pack.	W [kg]*	Pcs/Ind.**	W [kg]*	
01	MSB01T06	800	0,91	3500	3,99	
02	MSB02T06	500	1,14	2250	5,13	
03	MSB03T06	300	1,03	1500	5,13	
04	MSB04T06	200	0,91	1000	4,56	

Distributed by:

www.texim-europe.com

\*W [kg]: approximate weight per box in kg

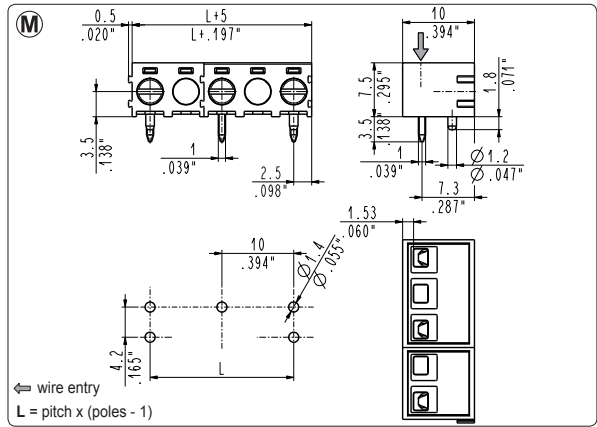
\*\*Industrial packaging: add "-00000E" at standard code



**MSB\_T01-0000P 90° "T" version, modular with VDE pegs**

5 mm / .197" pitch

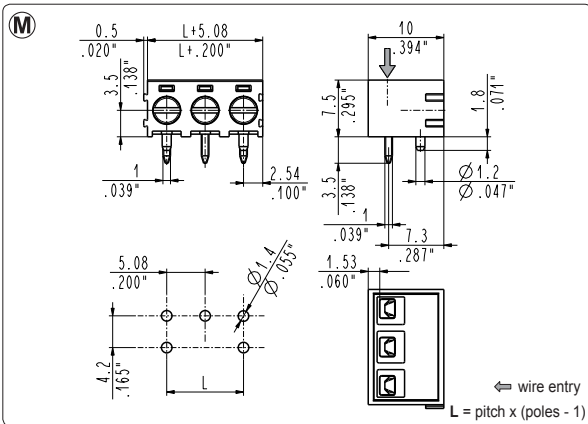
Poles	Code	Pcs/pack.	W [kg]*	Pcs/Ind.**	W [kg]*
02	MSB02T01-0000P	800	1,47	3500	6,44
03	MSB03T01-0000P	500	1,38	2250	6,21
04	MSB04T01-0000P	400	1,47	2000	7,36
05	MSB05T01-0000P	300	1,38	1500	6,90
06	MSB06T01-0000P	250	1,38	1000	5,52
07	MSB07T01-0000P	200	1,29	1000	6,44
08	MSB08T01-0000P	175	1,29	750	5,52
09	MSB09T01-0000P	150	1,24	750	6,21
10	MSB10T01-0000P	125	1,15	750	6,90
11	MSB11T01-0000P	125	1,27	750	7,59
12	MSB12T01-0000P	100	1,10	750	8,28
13	MSB13T01-0000P	100	1,20	750	8,97
14	MSB14T01-0000P	100	1,29	750	9,66
15	MSB15T01-0000P	100	1,38	500	6,90
16	MSB16T01-0000P	100	1,47	500	7,36
17	MSB17T01-0000P	100	1,56	500	7,82
18	MSB18T01-0000P	100	1,66	500	8,28
19	MSB19T01-0000P	100	1,75	500	8,74
20	MSB20T01-0000P	100	1,84	500	9,20
21	MSB21T01-0000P	100	1,93	500	9,66
22	MSB22T01-0000P	100	2,02	400	8,10
23	MSB23T01-0000P	100	2,12	400	8,46
24	MSB24T01-0000P	100	2,21	400	8,83
25	MSB25T01-0000P	75	1,73	250	5,75



**MSB\_T02-0000P 90° "T" version, modular with VDE pegs**

10 mm / .394" pitch

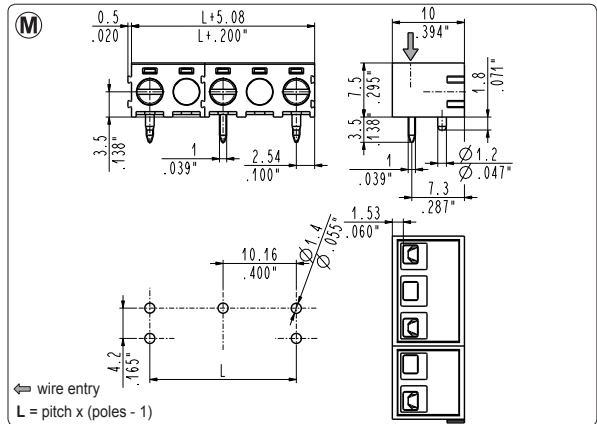
Poles	Code	Pcs/pack.	W [kg]*	Pcs/Ind.**	W [kg]*
01	MSB01T02-0000P	800	0,91	3500	3,99
02	MSB02T02-0000P	500	1,14	2250	5,13
03	MSB03T02-0000P	300	1,03	1500	5,13
04	MSB04T02-0000P	200	0,91	1000	4,56
05	MSB05T02-0000P	150	0,86	750	4,28
06	MSB06T02-0000P	125	0,86	750	5,13
07	MSB07T02-0000P	100	0,80	750	5,99
08	MSB08T02-0000P	100	0,91	500	5,56
09	MSB09T02-0000P	100	1,03	500	5,13
10	MSB10T02-0000P	100	1,14	500	5,70
11	MSB11T02-0000P	100	1,25	500	6,27
12	MSB12T02-0000P	100	1,37	500	6,84
13	MSB13T02-0000P	75	1,12	250	3,71



**MSB\_T05-0000P 90° "T" version, modular with VDE pegs**

5.08 mm / .200" pitch

Poles	Code	Pcs/pack.	W [kg]*	Pcs/Ind.**	W [kg]*
02	MSB02T05-0000P	800	1,47	3500	6,44
03	MSB03T05-0000P	500	1,38	2250	6,21
04	MSB04T05-0000P	400	1,47	2000	7,36
05	MSB05T05-0000P	300	1,38	1500	6,90
06	MSB06T05-0000P	250	1,38	1000	5,52
07	MSB07T05-0000P	200	1,29	1000	6,44
08	MSB08T05-0000P	175	1,29	750	5,52



**MSB\_T06-0000P 90° "T" version, modular with VDE pegs**

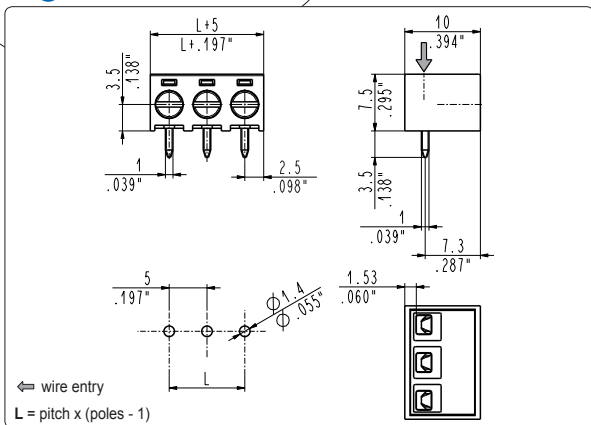
10.16 mm / .400" pitch

Poles	Code	Pcs/pack.	W [kg]*	Pcs/Ind.**	W [kg]*
01	MSB01T06-0000P	800	0,91	3500	3,99
02	MSB02T06-0000P	500	1,14	2250	5,13
03	MSB03T06-0000P	300	1,03	1500	5,13
04	MSB04T06-0000P	200	0,91	1000	4,56

Distributed by:

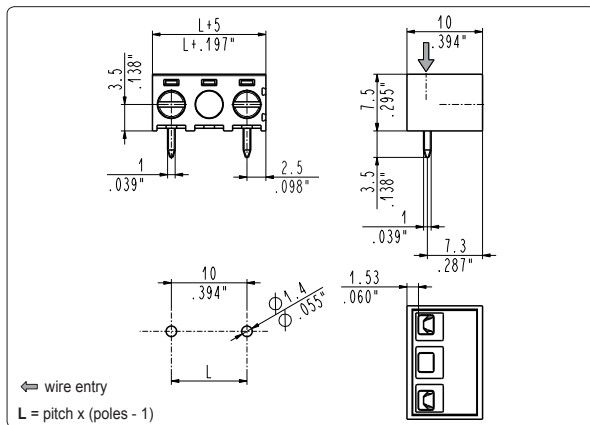


www.texim-europe.com



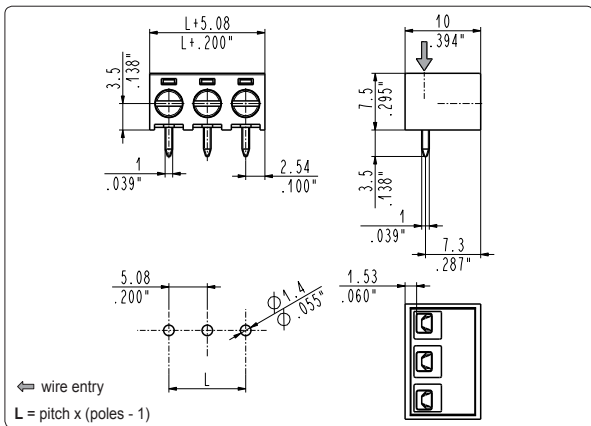
**MSB\_TA1** 90° "T" version, side stackable

5 mm / .197" pitch						
Poles	Code	Pcs/pack.	W [kg]*	Pcs/Ind.**	W [kg]*	
02	MSB02TA1	800	1,47	3500	6,44	
03	MSB03TA1	500	1,38	2250	6,21	
04	MSB04TA1	400	1,47	2000	7,36	
05	MSB05TA1	300	1,38	1500	6,90	
06	MSB06TA1	250	1,38	1000	5,52	
07	MSB07TA1	200	1,29	1000	6,44	
08	MSB08TA1	175	1,29	750	5,52	
09	MSB09TA1	150	1,24	750	6,21	
10	MSB10TA1	125	1,15	750	6,90	
11	MSB11TA1	125	1,27	750	7,59	
12	MSB12TA1	100	1,10	750	8,28	
13	MSB13TA1	100	1,20	750	8,97	
14	MSB14TA1	100	1,29	750	9,66	
15	MSB15TA1	100	1,38	500	6,90	
16	MSB16TA1	100	1,47	500	7,36	
17	MSB17TA1	100	1,56	500	7,82	
18	MSB18TA1	100	1,66	500	8,28	
19	MSB19TA1	100	1,75	500	8,74	
20	MSB20TA1	100	1,84	500	9,20	
21	MSB21TA1	100	1,93	500	9,66	
22	MSB22TA1	100	2,02	400	8,10	
23	MSB23TA1	100	2,12	400	8,46	
24	MSB24TA1	100	2,21	400	8,83	
25	MSB25TA1	75	1,73	250	5,75	



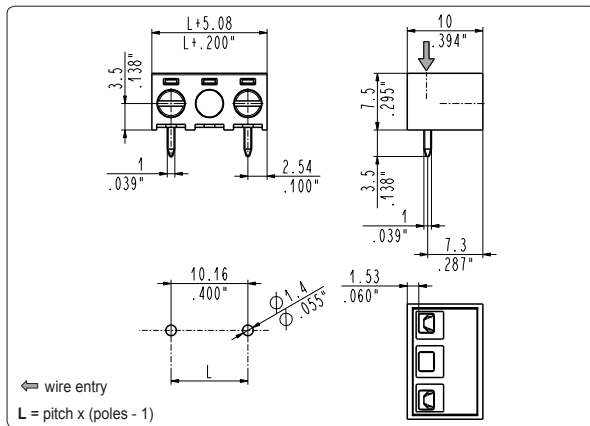
**MSB\_TA2** 90° "T" version, side stackable

10 mm / .276" pitch						
Poles	Code	Pcs/pack.	W [kg]*	Pcs/Ind.**	W [kg]*	
02	MSB02TA2	500	1,14	2250	5,13	
03	MSB03TA2	300	1,03	1500	5,13	
04	MSB04TA2	200	0,91	1000	4,56	
05	MSB05TA2	150	0,86	750	4,28	
06	MSB06TA2	125	0,86	750	5,13	
07	MSB07TA2	100	0,80	750	5,99	
08	MSB08TA2	100	0,91	500	5,56	
09	MSB09TA2	100	1,03	500	5,13	
10	MSB10TA2	100	1,14	500	5,70	
11	MSB11TA2	100	1,25	500	6,27	
12	MSB12TA2	75	1,03	500	6,84	
13	MSB13TA2	75	1,12	250	3,71	



**MSB\_TA5** 90° "T" version, side stackable

5.08 mm / .200" pitch						
Poles	Code	Pcs/pack.	W [kg]*	Pcs/Ind.**	W [kg]*	
02	MSB02TA5	800	1,47	3500	6,44	
03	MSB03TA5	500	1,38	2250	6,21	
04	MSB04TA5	400	1,47	2000	7,36	
05	MSB05TA5	300	1,38	1500	6,90	
06	MSB06TA5	250	1,38	1000	5,52	
07	MSB07TA5	200	1,29	1000	6,44	
08	MSB08TA5	175	1,29	750	5,52	



**MSB\_TA6** 90° "T" version, side stackable

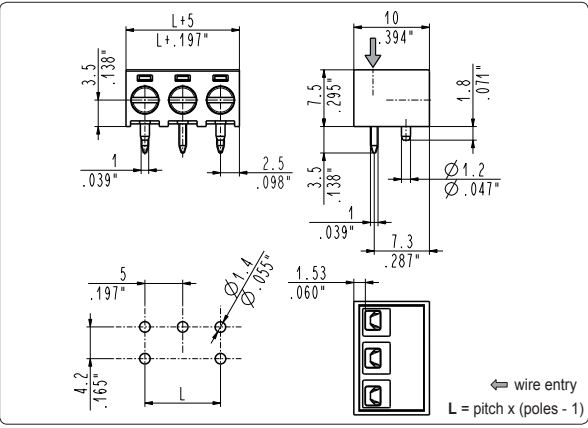
10.16 mm / .400" pitch						
Poles	Code	Pcs/pack.	W [kg]*	Pcs/Ind.**	W [kg]*	
02	MSB02TA6	500	1,14	2250	5,13	
03	MSB03TA6	300	1,03	1500	5,13	
04	MSB04TA6	200	0,91	1000	4,56	

Distributed by:

www.texim-europe.com

\*W [kg]: approximate weight per box in kg

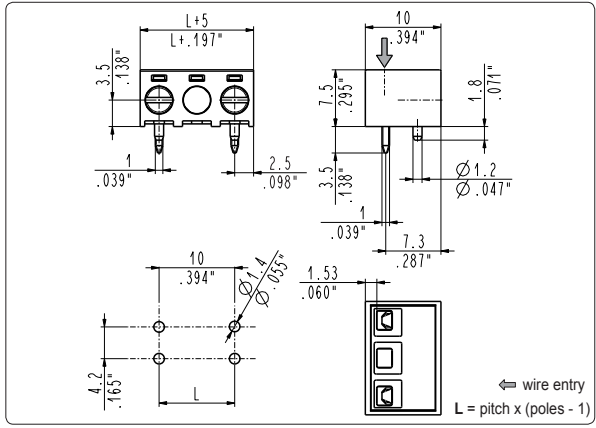
\*\*Industrial packaging: add "-00000E" at standard code



**MSB TA1-0000P** 90° "T", side stackable with VDE pegs

5 mm / .197" pitch

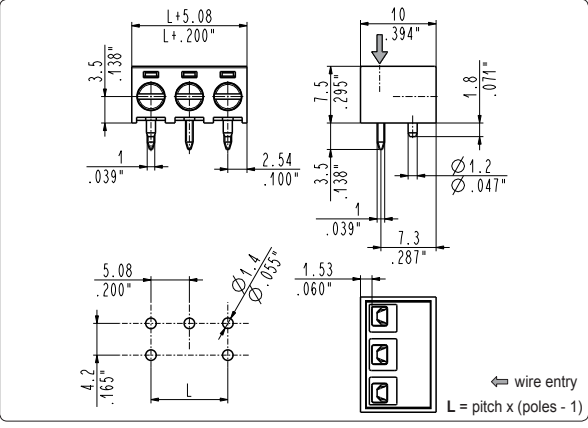
Poles	Code	Pcs/pack.	W [kg]*	Pcs/Ind.**	W [kg]*
02	MSB02TA1-0000P	800	1,47	3500	6,44
03	MSB03TA1-0000P	500	1,38	2250	6,21
04	MSB04TA1-0000P	400	1,47	2000	7,36
05	MSB05TA1-0000P	300	1,38	1500	6,90
06	MSB06TA1-0000P	250	1,38	1000	5,52
07	MSB07TA1-0000P	200	1,29	1000	6,44
08	MSB08TA1-0000P	175	1,29	750	5,52
09	MSB09TA1-0000P	150	1,24	750	6,21
10	MSB10TA1-0000P	125	1,15	750	6,90
11	MSB11TA1-0000P	125	1,27	750	7,59
12	MSB12TA1-0000P	100	1,10	750	8,28
13	MSB13TA1-0000P	100	1,20	750	8,97
14	MSB14TA1-0000P	100	1,29	750	9,66
15	MSB15TA1-0000P	100	1,38	500	6,90
16	MSB16TA1-0000P	100	1,47	500	7,36
17	MSB17TA1-0000P	100	1,56	500	7,82
18	MSB18TA1-0000P	100	1,66	500	8,28
19	MSB19TA1-0000P	100	1,75	500	8,74
20	MSB20TA1-0000P	100	1,84	500	9,20
21	MSB21TA1-0000P	100	1,93	500	9,66
22	MSB22TA1-0000P	100	2,02	400	8,10
23	MSB23TA1-0000P	100	2,12	400	8,46
24	MSB24TA1-0000P	100	2,21	400	8,83
25	MSB25TA1-0000P	75	1,73	250	5,75



**MSB TA2-0000P** 90° "T", side stackable with VDE pegs

10 mm / .394" pitch

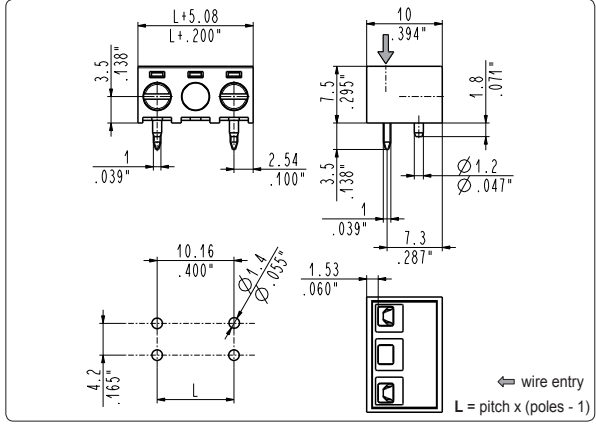
Poles	Code	Pcs/pack.	W [kg]*	Pcs/Ind.**	W [kg]*
02	MSB02TA2-0000P	500	1,06	2250	5,13
03	MSB03TA2-0000P	300	0,99	1500	5,13
04	MSB04TA2-0000P	200	0,90	1000	4,56
05	MSB05TA2-0000P	150	0,85	750	4,28
06	MSB06TA2-0000P	125	0,86	750	5,13
07	MSB07TA2-0000P	100	0,81	750	5,99
08	MSB08TA2-0000P	100	0,93	500	5,56
09	MSB09TA2-0000P	100	1,04	500	5,13
10	MSB10TA2-0000P	100	1,16	500	5,70
11	MSB11TA2-0000P	100	1,28	500	6,27
12	MSB12TA2-0000P	100	1,36	500	6,84
13	MSB13TA2-0000P	75	1,14	250	3,71



**MSB TA5-0000P** 90° "T", side stackable with VDE pegs

5.08 mm / .200" pitch

Poles	Code	Pcs/pack.	W [kg]*	Pcs/Ind.**	W [kg]*
02	MSB02TA5-0000P	800	1,47	3500	6,44
03	MSB03TA5-0000P	500	1,38	2250	6,21
04	MSB04TA5-0000P	400	1,47	2000	7,36
05	MSB05TA5-0000P	300	1,38	1500	6,90
06	MSB06TA5-0000P	250	1,38	1000	5,52
07	MSB07TA5-0000P	200	1,29	1000	6,44
08	MSB08TA5-0000P	175	1,29	750	5,52



**MSB TA6-0000P** 90° "T", side stackable with VDE pegs

10.16 mm / .400" pitch

Poles	Code	Pcs/pack.	W [kg]*	Pcs/Ind.**	W [kg]*
02	MSB02TA6-0000P	500	1,06	2250	5,13
03	MSB03TA6-0000P	300	0,99	1500	5,13
04	MSB04TA6-0000P	200	0,90	1000	4,56

Distributed by:

www.texim-europe.com

# TEXIM EUROPE

Partner in Electronic Components & Supply Chain Solutions



## The Netherlands

Elektrostraat 17  
NL-7483 PG Haaksbergen  
Tel: +31 (0)53 573 33 33  
Fax: +31 (0)53 573 33 30  
nl@texim-europe.com



## Denmark

Nørregade 15  
DK-9240 Nibe  
Tel: +45 88 20 26 30  
Fax: +45 88 20 26 39  
nordic@texim-europe.com



## Belgium

Gentsesteenweg 1154-C22  
Chaussée de Gand 1154-C22  
B-1082 Brussel / Bruxelles  
Tel: +32 (0)2 462 01 00  
Fax: +32 (0)2 462 01 25  
belgium@texim-europe.com



## United Kingdom

St. Mary's House, Church Lane  
Carlton Le Moorland  
Lincoln LN5 9HS  
Tel: +44 (0)1522 789 555  
Fax: +44 (0)845 299 22 26  
uk@texim-europe.com



## Germany

Justus-von-Liebig-Ring 7-9  
D-25451 Quickborn  
Tel: +49 (0)4106 627 07-0  
Fax: +49 (0)4106 627 07-20  
germany@texim-europe.com



## Germany

Martin-Kollar-Strasse 9  
D-81829 München  
Tel: +49 (0)89 436 086-0  
Fax: +49 (0)89 436 086-19  
germany@texim-europe.com



## Austria

Warwitzstrasse 9  
A-5020 Salzburg  
Tel: +43 (0)662 216026  
Fax: +43 (0)662 216026-66  
austria@texim-europe.com

## Texim Europe B.V.

Elektrostraat 17  
NL-7483 PG Haaksbergen  
Tel: +31 (0)53 573 33 33  
info@texim-europe.com  
www.texim-europe.com

