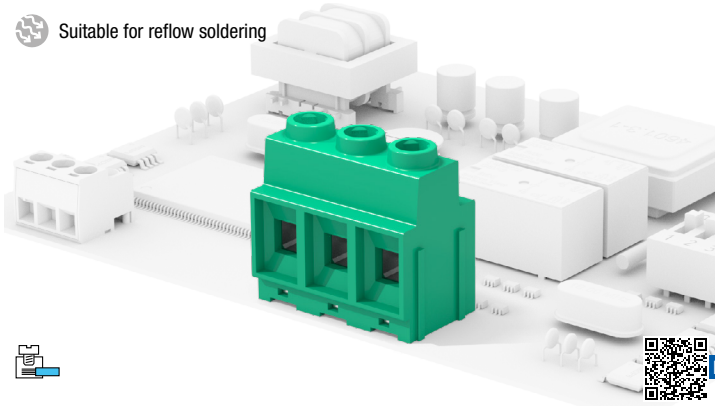


Suitable for reflow soldering



Last release

Your drawings and notes



**General data**

<b>Dimensional class:</b>	high
<b>Standard colour:</b>	green
<b>Pitches:</b>	imperial 10.16 mm (.400 in)
<b>Screw dimension:</b>	M4
<b>Recommended/highest tightening torque:</b>	1.2/1.5 Nm (10.62/13.28 lbf-in)
<b>PCB thickness:</b>	max. 2.4 mm (.094 in)
<b>PCB hole diameter:</b>	min. 1.5 mm (.059 in)
<b>Stripping length:</b>	10.5 ÷ 11.5 mm (.41 ÷ .45 in)
<b>Operating temperature range</b>	-40 °C ÷ +105 °C (-40 °F ÷ +221 °F)
<b>Contact resistance:</b>	<15 mΩ
<b>Insulating material group:</b>	I (CTI ≥ 600V)
<b>Self-extinguishing class UL94:</b>	V0
<b>Insulation resistance:</b>	>10 <sup>9</sup> Ω (500V DC)

**Certifications**

**UL (n. E167473)**

- 600 V - 60 A - 20÷6 AWG - 1.2 Nm for 10.16 mm pitch (version "S")
- 600 V - 57 A - 20÷6 AWG - 1.2 Nm for 10.16 mm pitch (version "Z")
- 300 V - 60 A - 20÷6 AWG - 1.2 Nm for 10.16 mm pitch (version "D")

**VDE (n. 40036991)**

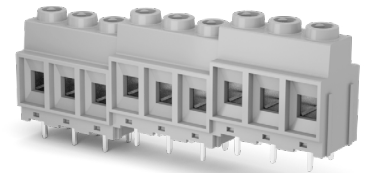
- 1000 V - T 110 - 76 A - 16 mm<sup>2</sup> solid (57 A - 10 mm<sup>2</sup> stranded) for 10.16 mm pitch (version "S")
- 1000 V - T 110 - 72 A - 16 mm<sup>2</sup> solid (57 A - 10 mm<sup>2</sup> stranded) for 10.16 mm pitch (version "Z")
- 450 V - T 110 - 76 A - 16 mm<sup>2</sup> solid (57 A - 10 mm<sup>2</sup> stranded) for 10.16 mm pitch (version "D")

Application values for end-use equipment have to be in accordance to norms and applicable to it. The certifications of some product's versions could be pending, for more detailed and updated data please refer to our web site [www.sauro.net](http://www.sauro.net) or your representative Sales Manager.

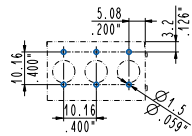
A higher number of poles is obtained by combining together modular parts.

Distributed by:

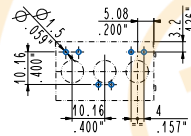
[www.texim-europe.com](http://www.texim-europe.com)



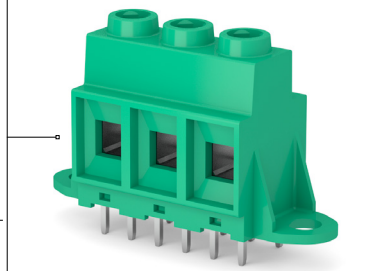
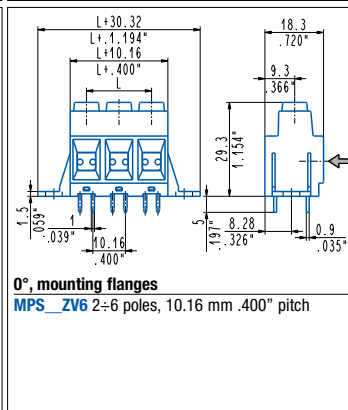
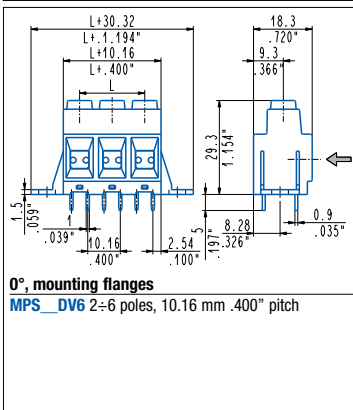
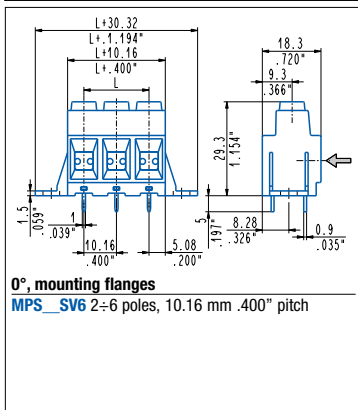
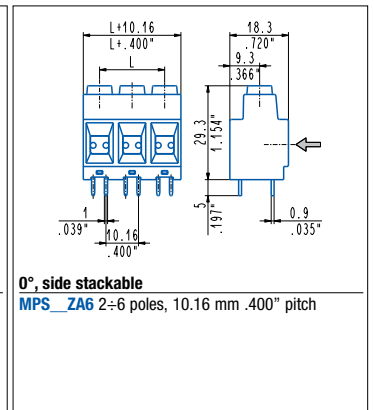
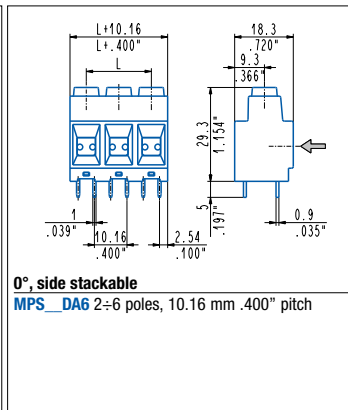
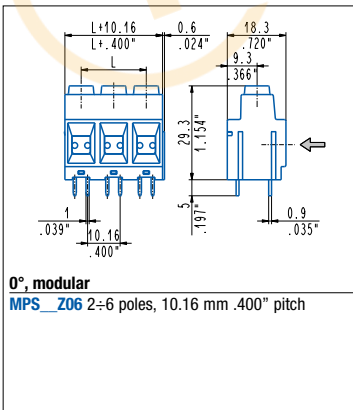
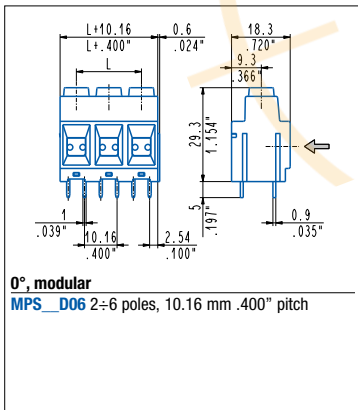
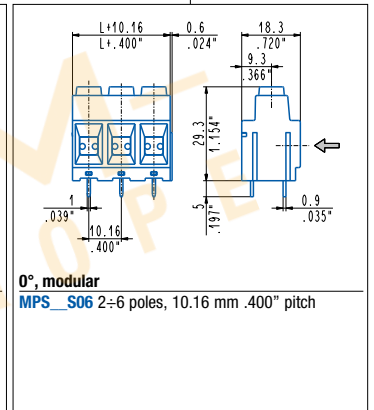
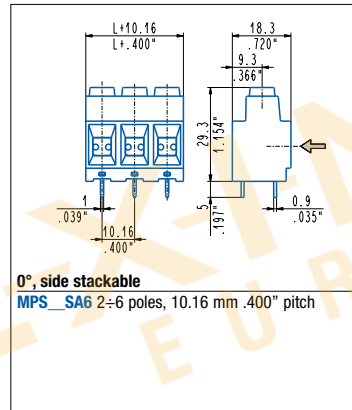
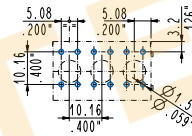
PCB layout "S" version



PCB layout "Z" version



PCB layout "D" version



## **Disclaimer**

ALL PRODUCTS, PRODUCT SPECIFICATIONS AND DATA ARE SUBJECT TO CHANGE WITHOUT NOTICE TO IMPROVE RELIABILITY, FUNCTION OR DESIGN OR OTHERWISE.

Texim Europe B.V. its affiliates, agents, and employees, and all persons acting on its or their behalf (collectively, "Texim"), disclaim any and all liability for any errors, inaccuracies or incompleteness contained in any datasheet or in any other disclosure relating to any product.

Texim makes no warranty, representation or guarantee regarding the suitability of the products for any particular purpose or the continuing production of any product.

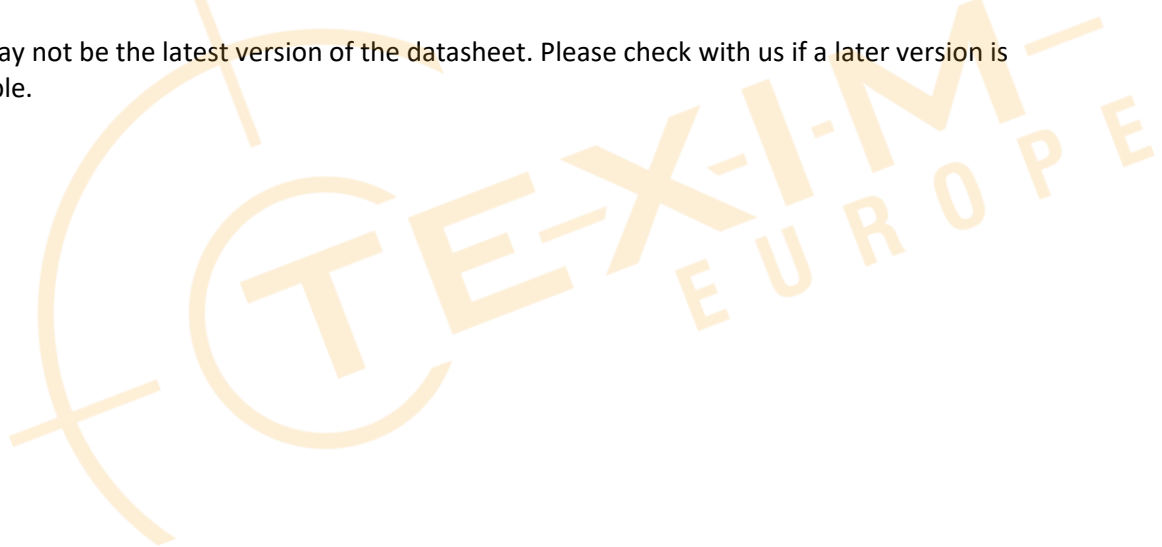
It is the customer's responsibility to validate that a particular product with the properties described in the product specification is suitable for use in a particular application.

Parameters provided in datasheets and / or specifications may vary in different applications and performance may vary over time.

All operating parameters, including typical parameters, must be validated for each customer application by the customer's technical experts.

Please contact us if you have any questions about the contents of the datasheet.

This may not be the latest version of the datasheet. Please check with us if a later version is available.





## Headquarters & Warehouse

Elektrostraat 17  
NL-7483 PG Haaksbergen  
The Netherlands

T: +31 (0)53 573 33 33  
E: info@texim-europe.com  
Homepage: www.texim-europe.com



### The Netherlands

Elektrostraat 17  
NL-7483 PG Haaksbergen

T: +31 (0)53 573 33 33  
E: nl@texim-europe.com



### Belgium

Zuiderlaan 14, box 10  
B-1731 Zellik

T: +32 (0)2 462 01 00  
E: belgium@texim-europe.com



### UK & Ireland

St Mary's House, Church Lane  
Carlton Le Moorland  
Lincoln LN5 9HS

T: +44 (0)1522 789 555  
E: uk@texim-europe.com



### Germany - North

Bahnhofstrasse 92  
D-25451 Quickborn

T: +49 (0)4106 627 07-0  
E: germany@texim-europe.com



### Germany - South

Martin-Kollar-Strasse 9  
D-81829 München

T: +49 (0)89 436 086-0  
E: muenchen@texim-europe.com



### Austria

Warwitzstrasse 9  
A-5020 Salzburg

T: +43 (0)662 216 026  
E: austria@texim-europe.com



### Nordic

Søndre Jagtvej 12  
DK-2970 Hørsholm

T: +45 88 20 26 30  
E: nordic@texim-europe.com



### Italy

Martin-Kollar-Strasse 9  
D-81829 München

T: +49 (0)89 436 086-0  
E: italy@texim-europe.com