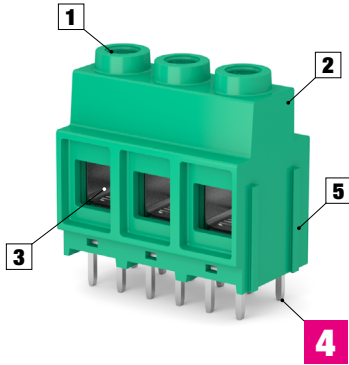
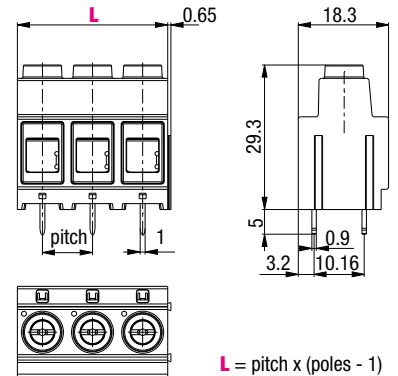


MPM series



- 1 M4 slotted stainless steel screw
1.2 Nm tightening torque
- 2 PA V0 self-extinguishing
- 3 Copper and tin plated stainless steel clamp
- 5 Modular or with flanges

Monolithic plastic housing up to 6 poles



L = pitch x (poles - 1)

MPM___6

MPM___6-000E

Available pitches

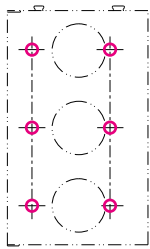
pitch **10.16 mm**

4 Tin plated **special** copper alloy pin

4 Tin plated copper alloy pin

Up to
76 A IEC - 16 mm²
65 A UL - 6 AWG

Up to
76 A IEC - 16 mm²
55 A UL - 6 AWG



S Version

300 V (Cat B/C)

600 V (Cat D)

1000 V

UL* 60 A - 6 AWG

UL* 5 A - 6 AWG

IEC 76 A - 16 mm² solid/stranded

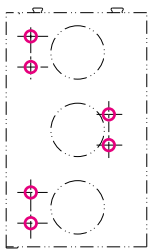
PN example: **MPM03SM6**
3 poles, S version, M modular, 6 pitch

UL* 50 A - 6 AWG

UL* 5 A - 6 AWG

IEC 66 A - 16 mm² solid/stranded

PN example: **MPM03SM6-000E**
000E low ampere version



Z Version

600 V (Cat B/C)

1000 V

UL* 57 A - 6 AWG

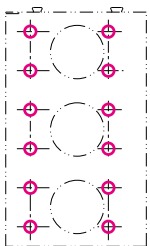
IEC 72 A - 16 mm² solid/stranded

PN example: **MPM03ZM6**
3 poles, Z version, M modular, 6 pitch

UL* 47 A - 6 AWG

IEC 62 A - 16 mm² solid/stranded

PN example: **MPM03ZM6-000E**
000E low ampere version



D Version

300 V (Cat B)

150 V (Cat C)

300 V (Cat D)

320 V

* Pending

UL* 65 A - 6 AWG

UL* 65 A - 6 AWG

UL* 10 A - 6 AWG

IEC 76 A - 16 mm² solid/stranded

PN example: **MPM03DM6**
3 poles, D version, M modular, 6 pitch

UL* 55 A - 6 AWG

UL* 55 A - 6 AWG

UL* 10 A - 6 AWG

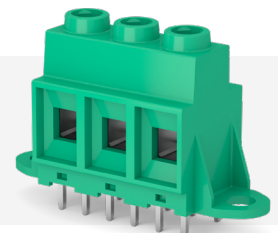
IEC 76 A - 16 mm² solid/stranded

PN example: **MPM03DM6-000E**
000E low ampere version

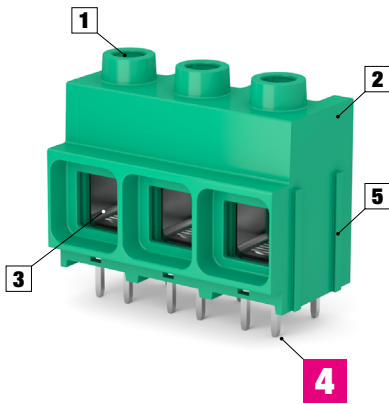
Customizations:

- can be supplied with **reinforcement mounting flanges** to relieve strain on solder pin
- can be supplied with a **base on the bottom** for use on **PCB with resin**
- all products can be personalized for an **error free and distinct connection**
- **different pin layouts** are available

Distributed by:

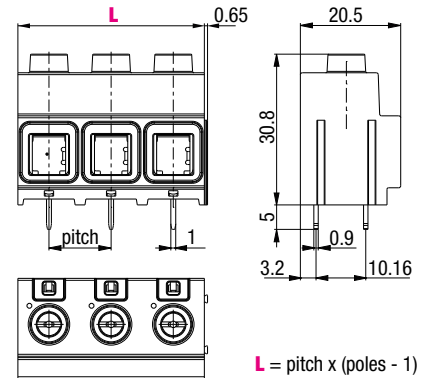


MPL series



- 1 M4 slotted stainless steel screw
1.2 Nm tightening torque
- 2 PA V0 self-extinguishing
- 3 Copper and tin plated stainless steel clamp
- 5 Modular or with flanges

Monolithic plastic housing up to 6 poles



MPL__M_

MPL__M_-000E

Available pitches

pitch **12.7 mm**

pitch **15.24 mm**

4 Tin plated **special** copper alloy pin

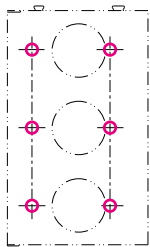
4 Tin plated copper alloy pin

Up to

101 A IEC - 25 mm²
83 A UL - 4 AWG

Up to

85 A IEC - 25 mm²
67 A UL - 4 AWG



S Version

600 V (Cat B/C)

1000 V

UL* 78 A - 4 AWG

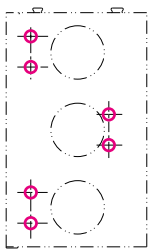
IEC 92 A - 25 mm² solid/stranded

PN example: **MPL03SMU**
3 poles, **S** version, **M** modular, **U** pitch

UL* 62 A - 4 AWG

IEC 76 A - 25 mm² solid/stranded

PN example: **MPL03SMU-000E**
000E low ampere version



Z Version

600 V (Cat B/C)

1000 V

UL* 72 A - 4 AWG

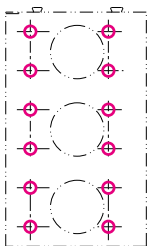
IEC 85 A - 25 mm² solid/stranded

PN example: **MPL03ZMU**
3 poles, **Z** version, **M** modular, **U** pitch

UL* 56 A - 4 AWG

IEC 69 A - 25 mm² solid/stranded

PN example: **MPL03ZMU-000E**
000E low ampere version



D Version

300 V (Cat B/C)

600 V (Cat D)

600 V (Cat B/C)

630 V

1000 V

* Pending

UL* 83 A - 4 AWG (pitch 12.7 mm)

UL* 5 A - 4 AWG (pitch 12.7 mm)

UL* 83 A - 4 AWG (pitch 15.24 mm)

IEC 101 A - 25 mm² solid/stranded (pitch 12.7 mm)

IEC 101 A - 25 mm² solid/stranded (pitch 15.24 mm)

PN example: **MPL03DMU**
3 poles, **D** version, **M** modular, **U** pitch

UL* 67 A - 4 AWG (pitch 12.7 mm)

UL* 5 A - 4 AWG (pitch 12.7 mm)

UL* 67 A - 4 AWG (pitch 15.24 mm)

IEC 85 A - 25 mm² solid/stranded (pitch 12.7 mm)

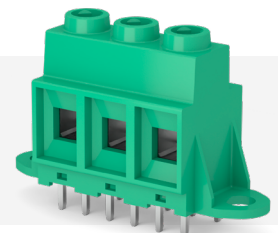
IEC 85 A - 25 mm² solid/stranded (pitch 15.24 mm)

PN example: **MPL03DMU-000E**
000E low ampere version

Customizations:

- can be supplied with **reinforcement mounting flanges** to relieve strain on solder pin
- all products can be personalized for an **error free and distinct connection**
- **different pin layouts** are available

Distributed by:



Disclaimer

ALL PRODUCTS, PRODUCT SPECIFICATIONS AND DATA ARE SUBJECT TO CHANGE WITHOUT NOTICE TO IMPROVE RELIABILITY, FUNCTION OR DESIGN OR OTHERWISE.

Texim Europe B.V. its affiliates, agents, and employees, and all persons acting on its or their behalf (collectively, "Texim"), disclaim any and all liability for any errors, inaccuracies or incompleteness contained in any datasheet or in any other disclosure relating to any product.

Texim makes no warranty, representation or guarantee regarding the suitability of the products for any particular purpose or the continuing production of any product.

It is the customer's responsibility to validate that a particular product with the properties described in the product specification is suitable for use in a particular application.

Parameters provided in datasheets and / or specifications may vary in different applications and performance may vary over time.

All operating parameters, including typical parameters, must be validated for each customer application by the customer's technical experts.

Please contact us if you have any questions about the contents of the datasheet.

This may not be the latest version of the datasheet. Please check with us if a later version is available.





Headquarters & Warehouse

Elektrostraat 17
NL-7483 PG Haaksbergen
The Netherlands

T: +31 (0)53 573 33 33
E: info@texim-europe.com
Homepage: www.texim-europe.com



The Netherlands

Elektrostraat 17
NL-7483 PG Haaksbergen

T: +31 (0)53 573 33 33
E: nl@texim-europe.com



Belgium

Zuiderlaan 14, box 10
B-1731 Zellik

T: +32 (0)2 462 01 00
E: belgium@texim-europe.com



UK & Ireland

St Mary's House, Church Lane
Carlton Le Moorland
Lincoln LN5 9HS

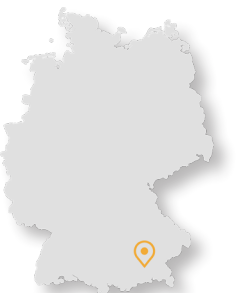
T: +44 (0)1522 789 555
E: uk@texim-europe.com



Germany - North

Bahnhofstrasse 92
D-25451 Quickborn

T: +49 (0)4106 627 07-0
E: germany@texim-europe.com



Germany - South

Martin-Kollar-Strasse 9
D-81829 München

T: +49 (0)89 436 086-0
E: muenchen@texim-europe.com



Austria

Warwitzstrasse 9
A-5020 Salzburg

T: +43 (0)662 216 026
E: austria@texim-europe.com



Nordic

Søndre Jagtvej 12
DK-2970 Hørsholm

T: +45 88 20 26 30
E: nordic@texim-europe.com



Italy

Martin-Kollar-Strasse 9
D-81829 München

T: +49 (0)89 436 086-0
E: italy@texim-europe.com