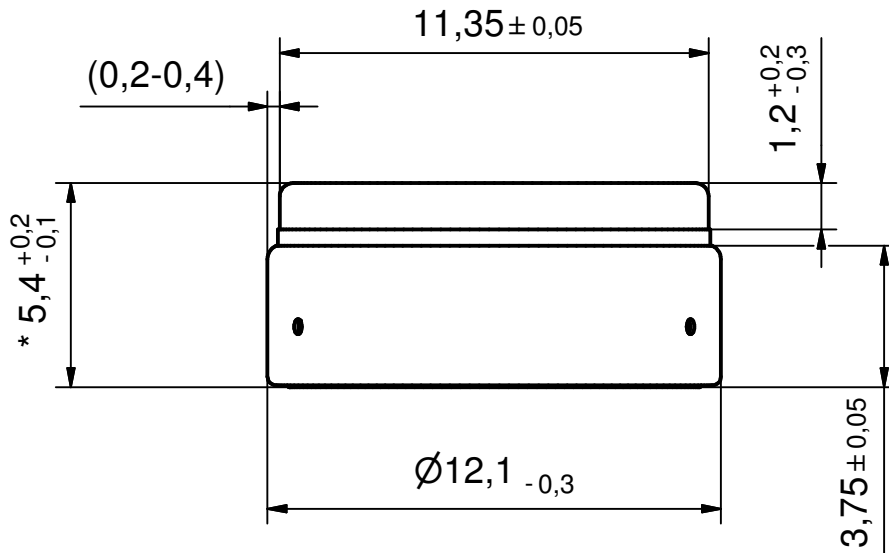


Distributed by:



www.texim-europe.com



( 1 : 1 )



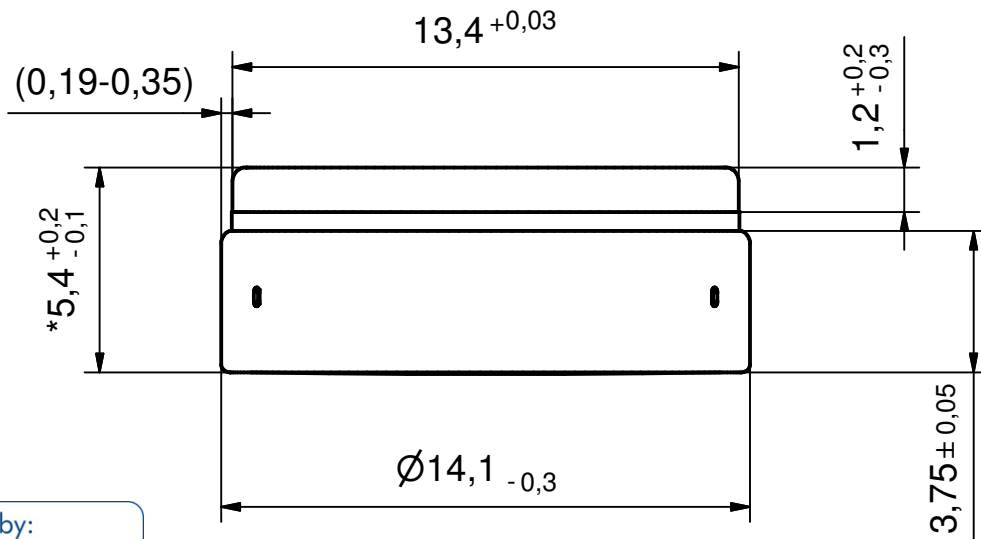
( 3 : 1 )



- Note: 1) \* Dimensions for reference only  
 2) \* Max. 7 including cell deflection  
 3) Cell deflection space of 1,5mm is needed in case of abuse conditions  
 Please contact VARTA for more details  
 4) BATTERY VALIDATION INCLUDING SAFETY ELECTRONICS MUST  
 BE DONE BY CUSTOMER ACCORDING UL1642

Freigabe

01		Gravur geändert: 220 mWh hinzugefügt		17.08.2016	mhewelt
Index	Änderung / Alteration			Date	Name
Projection: 	Freimaßtoleranzen Generaltolerances		 Diese Maße werden besonders geprüft This dimensions are considered inspectable	Maßstab / Scale 5:1	
Maße in mm All dimensions in mm	up to 6	± 0,1		Material VKB 63125 101 521	
Als Betriebsgeheimnis anvertraut, alle Rechte vorbehalten. Proprietary data, company confidential, all rights reserved.	over 6 up to 30	± 0,2	Date	Name	
	over 30 up to 100	± 0,3	Erst./Orig.	24.06.2016 mhewelt	
	over 100	± 0,5	Bearb./Desig.	17.08.2016 mhewelt	
			Gepr./Check.		
			Benennung / Designation CP1254 A3		
<b>VARTA</b>			Format	Zchg. / Dwg.Nr.	Status Index
			4	717635	4 01
Origin:			repl.f.:	repl.by:	Alloc.:



( 1 : 1 )



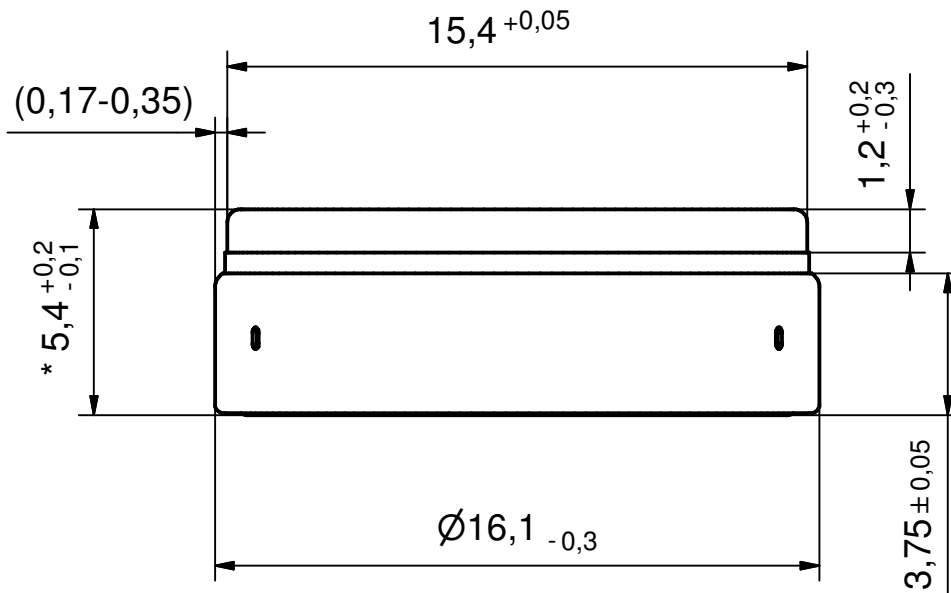
( 3 : 1 )



- Note: 1) \* Dimensions for reference only  
 2) \* Max. 7 including cell deflection  
 3) Cell deflection space of 1,5mm is needed in case of abuse conditions  
 Please contact VARTA for more details  
 4) BATTERY VALIDATION INCLUDING SAFETY ELECTRONICS MUST BE DONE BY CUSTOMER ACCORDING UL1642

Freigabe

Index	Änderung / Alteration			Date	Name									
Projection: 	Freimaßtoleranzen General tolerances		 Diese Maße werden besonders geprüft This dimensions are considered inspectable	Maßstab / Scale 1:1	Material VKB 63145 101 501									
Maße in mm All dimensions in mm	up to 6	± 0,1		Benennung / Designation CP1454 A3										
Als Betriebsgeheimnis anvertraut, alle Rechte vorbehalten. Proprietary data, company confidential, all rights reserved.	over 6 up to 30	± 0,2	<table border="1"> <tr> <td>Date</td> <td>Name</td> </tr> <tr> <td>Erst./Orig.</td> <td>28.01.2016 mhewelt</td> </tr> <tr> <td>Bearb./Desig.</td> <td>28.01.2016 mhewelt</td> </tr> <tr> <td>Gepr./Check.</td> <td></td> </tr> </table>	Date	Name	Erst./Orig.	28.01.2016 mhewelt	Bearb./Desig.	28.01.2016 mhewelt	Gepr./Check.		Format 4	Zchg. / Dwg.Nr. 715057	Status 4
	Date	Name												
	Erst./Orig.	28.01.2016 mhewelt												
Bearb./Desig.	28.01.2016 mhewelt													
Gepr./Check.														
over 30 up to 100	± 0,3	Index 00												
over 100	± 0,5													
Origin:			repl.f.:	repl.by:	Alloc.:									



(3 : 1)

(1 : 1)



- Note: 1) \* Dimensions for reference only  
 2) \* Max. 7 including cell deflection  
 3) Cell deflection space of 1,5mm is needed in case of abuse conditions  
 Please contact VARTA for more details  
 4) BATTERY VALIDATION INCLUDING SAFETY ELECTRONICS MUST  
 BE DONE BY CUSTOMER ACCORDING UL1642

Freigabe

01		Gravur geändert: 440 mWh hinzugefügt		17.08.2016	mhwelt
Index	Änderung / Alteration			Date	Name
Projection:	Freimaßtoleranzen Generaltolerances	Diese Maße werden besonders geprüft This dimensions are considered inspectable		Maßstab / Scale 5:1	
Maße in mm All dimensions in mm	up to 6 ± 0,1			Material	VKB 63165 101 521
Als Betriebsgeheimnis anvertraut, alle Rechte vorbehalten.  Proprietary data, company confidential, all rights reserved.	over 6 up to 30 ± 0,2	Date	Name	Benennung / Designation  CP1654 A3	
	over 30 up to 100 ± 0,3	Erst./Orig.	24.06.2016 mhwelt		
	over 100 ± 0,5	Bearb./Desig.	17.08.2016 mhwelt		
		Gepr./Check.		Format	Zchg. / Dwg.Nr.
<b>VARTA</b>				4	717636
Origin:		repl.f.:		repl.by:	
				Alloc.:	
				Status	Index
				4	01

## The Netherlands



Elektrostraat 17  
NL-7483 PG Haaksbergen

T: +31 (0)53 573 33 33  
F: +31 (0)53 573 33 30  
E: [nl@texim-europe.com](mailto:nl@texim-europe.com)

## Belgium



Zuiderlaan 14 bus 10  
B-1731 Zellik

T: +32 (0)2 462 01 00  
F: +32 (0)2 462 01 25  
E: [belgium@texim-europe.com](mailto:belgium@texim-europe.com)

## UK & Ireland



St. Mary's House, Church Lane  
Carlton Le Moorland  
Lincoln LN5 9HS

T: +44 (0)1522 789 555  
F: +44 (0)845 299 22 26  
E: [uk@texim-europe.com](mailto:uk@texim-europe.com)

## Germany North



Bahnhofstrasse 92  
D-25451 Quickborn

T: +49 (0)4106 627 07-0  
F: +49 (0)4106 627 07-20  
E: [germany@texim-europe.com](mailto:germany@texim-europe.com)

## Germany South



Martin-Kollar-Strasse 9  
D-81829 München

T: +49 (0)89 436 086-0  
F: +49 (0)89 436 086-19  
E: [germany@texim-europe.com](mailto:germany@texim-europe.com)

## Austria



Warwitzstrasse 9  
A-5020 Salzburg

T: +43 (0)662 216 026  
F: +43 (0)662 216 026-66  
E: [austria@texim-europe.com](mailto:austria@texim-europe.com)

## Nordic region



Sdr. Jagtvej 12  
DK-2970 Hørsholm

T: +45 88 20 26 30  
F: +45 88 20 26 39  
E: [nordic@texim-europe.com](mailto:nordic@texim-europe.com)

## General information



[info@texim-europe.com](mailto:info@texim-europe.com)  
[www.texim-europe.com](http://www.texim-europe.com)