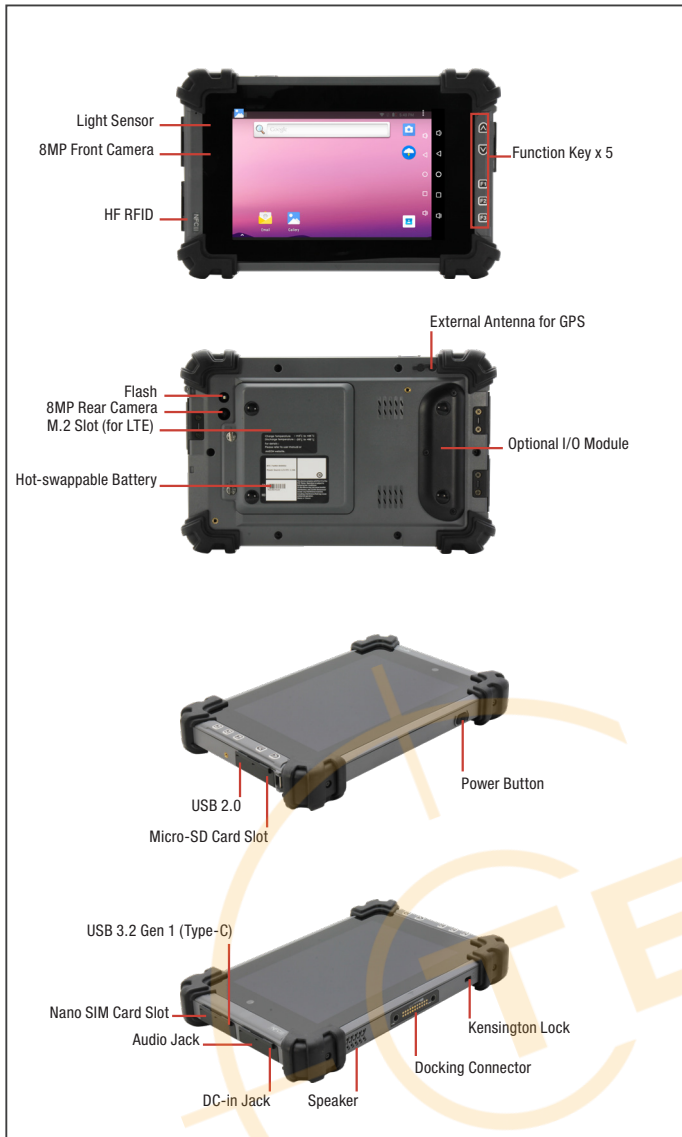


RTC-710RK

7" Rugged Tablet ARM-based Android™ with 1.6 GHz Quad Core Processor

Distributed by:



Features

- 7" WXGA (1280 x 800) 700-nit / 300-nit TFT LCD
- Rockchip RK3399K Processor
- Onboard LPDDR4 Memory, 2GB (Default) / 4GB
- eMMC 16GB (Default) / 32GB / 64GB
- Projected Capacitive Multi-Touch Screen
- WiFi 802.11b/g/n, Bluetooth 4.2, LTE (Optional)
- 8MP Front and 8MP Rear Camera
- UART Port + 10/100/1000 Base-T RJ45 via I/O Module (Optional)
- USB 3.2 Gen 1 Type-C x 1, USB 2.0 Type-A x 1
- 2D Barcode Scanner via I/O Module (Optional)
- NFC (HF RFID) Reader (Optional)
- GPS + GLONASS (Default), BeiDou (Optional)
- One Hot-swappable Battery + Internal Battery, Up to 44W Battery Capacity
- MIL-STD-810G, IP65 Compliant, Drop 122cm
- Programmable Function Key: F1, F2, F3, Volume Up/Down, With LED Illumination
- Android 8.1



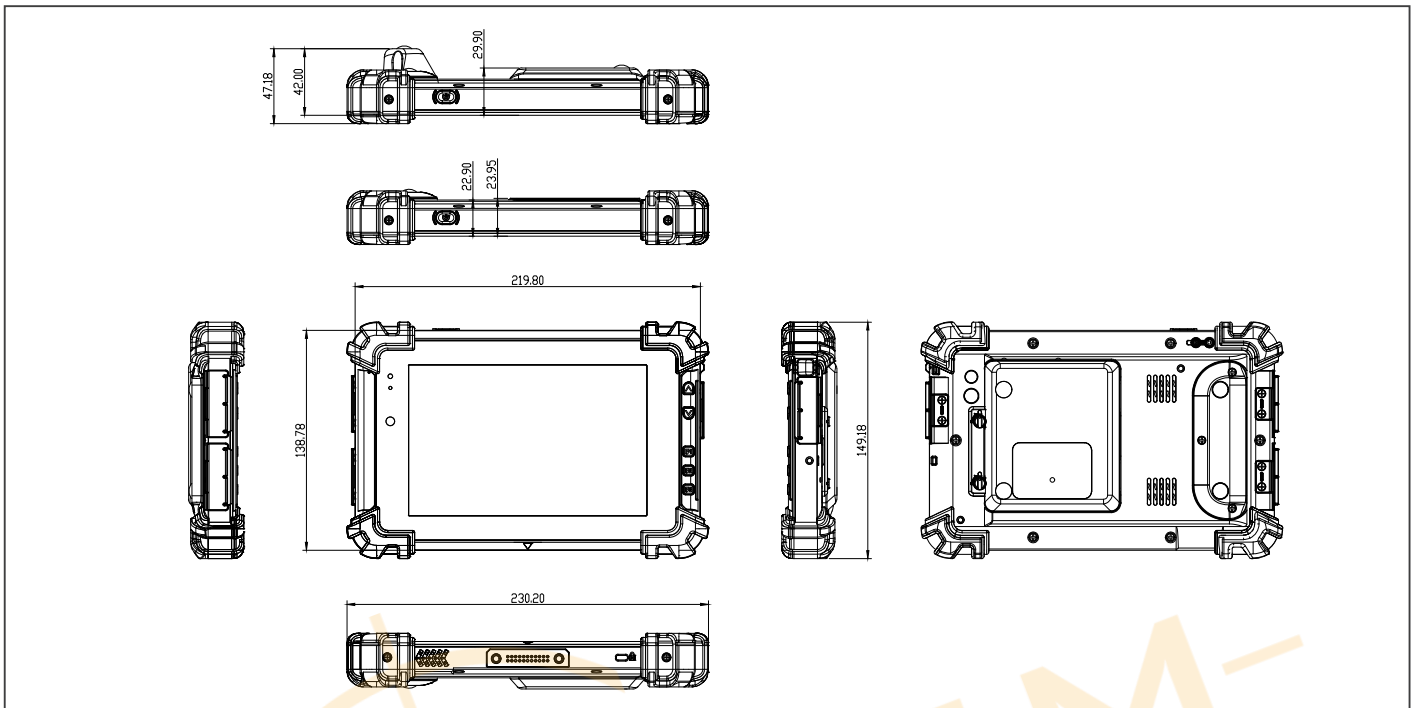
Barcode Scanner (Optional)	2D Barcode scanner, OPTICON MDI-4100-USB via I/O module (Optional)
HF RFID (Optional)	ISO 15693 (R/W), ISO 18092 (R/W), ISO 14443-A (R/W), ISO 14443-B (R/W), Depend on card type
Audio	Speaker x 1
Physical Key	F1 (Audio On/Off), F2 (Screenprint), F3 (Barcode Scanner Trigger), Volume Up, Volume Down
Mechanical	
Color	Dark Gray
Dimension (W x H x D)	219.8 x 138.8 x 23.9 mm (8.65" x 5.46" x 0.94")
Gross Weight	0.7 Kg (1.54 lb) based on configurations
Environmental	
Operating Temperature	-20°C ~ 60°C (-4°F ~ 140°F) for high-brightness version
Storage Temperature	-30°C ~ 70°C (-22°F ~ 158°F)
Humidity	MIL-STD-810G Method 507.5
Environmental Sealing	IP65
Vibration	MIL-STD-810G Method 514.6
Drop	MIL-STD-810G Method 516.6 Procedure IV Height of Drop: 122 cm (48 inch; 4 ft)
Shock	MIL-STD-810G
ESD	Air charge: +/- 8KV, Contact charge: +/- 4KV
Certifications and Standards	UL62368-1, CE, FCC, IC
Power Supply	
AC / DC Adapter	AC 100 ~ 240 V, 50 ~ 60 Hz, Output: 12V/ 3.34A/ 40W
Battery Life	Li-ion Battery 8-hour battery life based on test configurations
Master Battery	7.2V, 4540mAh, 32.7W
Slave Battery	Hot-swappable battery: 7.4V, 1530mAh, 11.3W (Optional)
Display	
LCD	7" TFT-LCD / 16:10, with LED backlight
Resolution	1280 x 800
Maximum Color	N/A
Dot Size	0.03925(H) X 0.11775(V) mm
Brightness	700 / 300 nits
Viewing Angle	Horizontal: 178° (Typ.), Vertical: 178° (Typ.)
Touch Screen	
Touch Type	7" Projected Capacitive Multi-Touch Screen (700 nits with 10 points / 300 nits with 5 points)
Light Transmission	Min. 85%

Specifications

System Architecture	
Processor	Rockchip RK3399K Processor (Quad-Core A53 1.6GHz & Dual-Core A72 2.0GHz)
Operating System	Android 8.1
Memory	Onboard LPDDR4 2GB (Default) / 4GB
Storage	eMMC 16GB (Default) / 32GB / 64GB
Display	7" WXGA (1280x800) 300-nit / 700-nit TFT LCD With Projected Capacitive Multi-Touch Screen
I/O Port	SIM card slot x 1 USB 3.2 Gen 1 Type-C x 1 Audio jack x 1 (3.5mm) DC-in jack x 1 Micro-SD card slot x 1 USB 2.0 Type-A x 1 UART Port x 1 (Via I/O Module) 10/100/1000 Base-T RJ45 x 1 (Via I/O Module)
Communication	Wi-Fi 802.11 b/g/n, Bluetooth v4.2 (EDR + BLE)
Navigation	GPS + GLONASS (Default), BeiDou (Optional), External Antenna (Optional)
WWAN(optional)	LTE via M.2 slot (Optional) Hot-swappable Battery can not be used when LTE module is installed.
Camera	8MP front camera 8MP rear camera with flash
Sensor	G-sensor, E-compass, Gyro-sensor, Light-sensor
Expansion Slot	M.2 slot x 1 Docking connector: USB 3.2 Gen 1 x 1

Dimension

Unit: mm



Packing List

- **RTC-710RK**
- **1255X00008**
AC-To-DC Power Adaptor, 12V, 40W
*Power cord must be purchased separately.

Optional Accessories

- **RDS-0710-000**
Docking Station
- **RDS-0710-001**
Docking Station, W/ Stand
- **RTC-710-HS-000**
Hand Strap
- **RTC-710-BAG-000**
Carry Bag
- **RDS-0040-0000**
4-Bay Battery Charger
- **9741600R04**
Battery Pack, 7.4V, 1530mAh, 2pcs/Box
- **RTC-710-VMP-000**
VESA Mount Plate
- **1259X00003**
Car Adapter, Cigarette Plug
- **1702031802**
Power Cord for USA
- **1702031803**
Power Cord for Europe

Ordering Information

Part Number	CPU	OS	LCD Display	Touch Screen	System Memory	Storage	Expansion I/O	Sensor	WiFi/Bluetooth	Navigation	LTE Bands (MHz)	Camera	Docking	2D Barcode Scanner	HF RFID	Battery	Power
RTC-710RK-RH0001	RK3399K	Android 8.1	7" 700 nits	PCT 10 points	LPDDR4 2GB	eMMC 16GB	SIM card slot x 1, USB 3.2 Gen 1 Type-C x 1, Audio jack x 1 (3.5mm), DC-in jack x 1, Micro-SD card slot x 1, USB 2.0 Type-A x 1	G-sensor Gyro-sensor Light-sensor	802.11 b/g/n + BT4.2	—	—	Front: 8MP	—	—	—	32.7W (internal)	DC12V
RTC-710RK-RH0002	RK3399K	Android 8.1	7" 700 nits	PCT 10 points	LPDDR4 2GB	eMMC 16GB	SIM card slot x 1, USB 3.2 Gen 1 Type-C x 1, Audio jack x 1 (3.5mm), DC-in jack x 1, Micro-SD card slot x 1, USB 2.0 Type-A x 1	G-sensor Gyro-sensor Light-sensor	802.11 b/g/n + BT4.2	GPS / GLONASS	—	Front: 8MP Rear: 8MP w/ Flash	Yes	—	Yes	32.7W + 11.3W	DC12V
RTC-710RK-RH0003	RK3399K	Android 8.1	7" 700 nits	PCT 10 points	LPDDR4 2GB	eMMC 16GB	SIM card slot x 1, USB 3.2 Gen 1 Type-C x 1, Audio jack x 1 (3.5mm), DC-in jack x 1, Micro-SD card slot x 1, USB 2.0 Type-A x 1, UART Port x 1 (Via I/O Module), 10/100/1000 Base-T RJ45 x 1 (Via I/O Module)	G-sensor Gyro-sensor Light-sensor	802.11 b/g/n + BT4.2	GPS / GLONASS	—	Front: 8MP Rear: 8MP w/ Flash	Yes	—	Yes	32.7W + 11.3W	DC12V
RTC-710RK-RH0004	RK3399K	Android 8.1	7" 700 nits	PCT 10 points	LPDDR4 2GB*	eMMC 16GB	SIM card slot x 1, USB 3.2 Gen 1 Type-C x 1, Audio jack x 1 (3.5mm), DC-in jack x 1, Micro-SD card slot x 1, USB 2.0 Type-A x 1, 2D BCR x 1 (Via I/O Module)	G-sensor Gyro-sensor Light-sensor	802.11 b/g/n + BT4.2	GPS / GLONASS	—	Front: 8MP Rear: 8MP w/ Flash	Yes	Yes	Yes	32.7W + 11.3W	DC12V
RTC-710RK-RH0005	RK3399K	Android 8.1	7" 700 nits	PCT 10 points	LPDDR4 4GB	eMMC 16GB	SIM card slot x 1, USB 3.2 Gen 1 Type-C x 1, Audio jack x 1 (3.5mm), DC-in jack x 1, Micro-SD card slot x 1, USB 2.0 Type-A x 1	G-sensor Gyro-sensor Light-sensor	802.11 b/g/n + BT4.2	GPS / GLONASS	—	Front: 8MP Rear: 8MP w/ Flash	Yes	—	Yes	32.7W + 11.3W	DC12V



Headquarters & Warehouse

Elektrostraat 17
NL-7483 PG Haaksbergen
The Netherlands

T: +31 (0)53 573 33 33
E: info@texim-europe.com
Homepage: www.texim-europe.com



The Netherlands

Elektrostraat 17
NL-7483 PG Haaksbergen

T: +31 (0)53 573 33 33
E: nl@texim-europe.com



Belgium

Zuiderlaan 14, box 10
B-1731 Zellik

T: +32 (0)2 462 01 00
E: belgium@texim-europe.com



UK & Ireland

St Mary's House, Church Lane
Carlton Le Moorland
Lincoln LN5 9HS

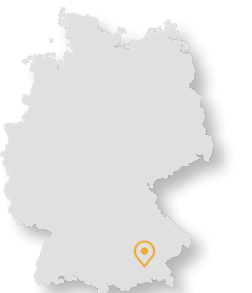
T: +44 (0)1522 789 555
E: uk@texim-europe.com



Germany - North

Bahnhofstrasse 92
D-25451 Quickborn

T: +49 (0)4106 627 07-0
E: germany@texim-europe.com



Germany - South

Martin-Kollar-Strasse 9
D-81829 München

T: +49 (0)89 436 086-0
E: muenchen@texim-europe.com



Austria

Warwitzstrasse 9
A-5020 Salzburg

T: +43 (0)662 216 026
E: austria@texim-europe.com



Nordic

Søndre Jagtvej 12
DK-2970 Hørsholm

T: +45 88 20 26 30
E: nordic@texim-europe.com



Italy

Via Matteotti 43
IT-20864 Agrate Brianza (MB)

T: +39 (0)39 9713293
E: italy@texim-europe.com