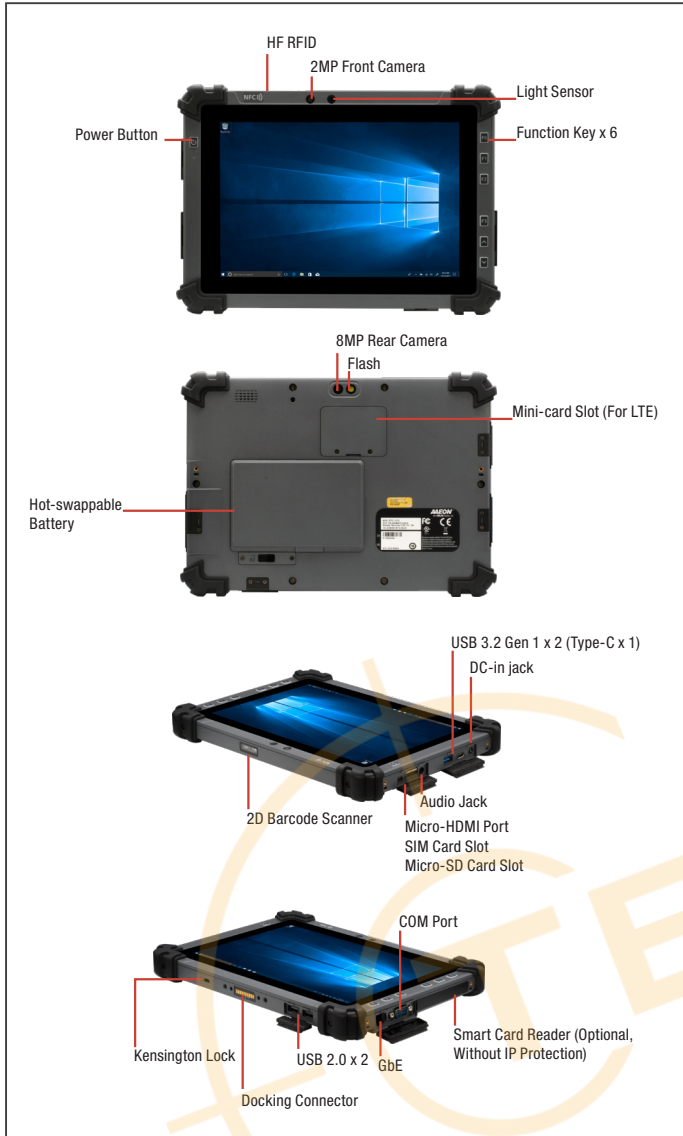


RTC-1010

10.1" Rugged Tablet Features Intel N3350 / N4200 Processor With Windows® 10

Distributed by:



Features

- 10.1" WXGA (1280 x 800) 800-nit / 300-nit TFT LCD
- Intel® Celeron™ N3350 1.1GHz Dual Core Up to 2.4GHz (N4200 Optional)
- Onboard DDR3L Memory, 4GB (Default) / 8GB
- eMMC 64GB (Up to 256GB, Optional)
- WiFi 802.11b/g/n, Bluetooth 5.1, LTE (Optional)
- 2MP Front and 8MP Rear Camera
- RS-232/422/485 COM Port + 10/100/1000 Base-T RJ45
- USB 3.2 Gen 1 x 2 (USB Type-C x 1), USB 2.0 x 2
- 2D Barcode Scanner & Smart Card Reader / HF RFID (NFC) Reader (Optional)
- Up to 3 GNSS, GPS + Galileo (Default), GLONASS, BeiDou (Optional)
- One Hot-swappable Battery + Internal Battery, Up to 44W Battery Capacity
- MIL-STD-810G, IP65 Compliant, Drop 122cm
- Programmable Function Key: F0, F1, F2, F3, Volume Up/Down, With LED Illumination
- Windows® 10 IOT



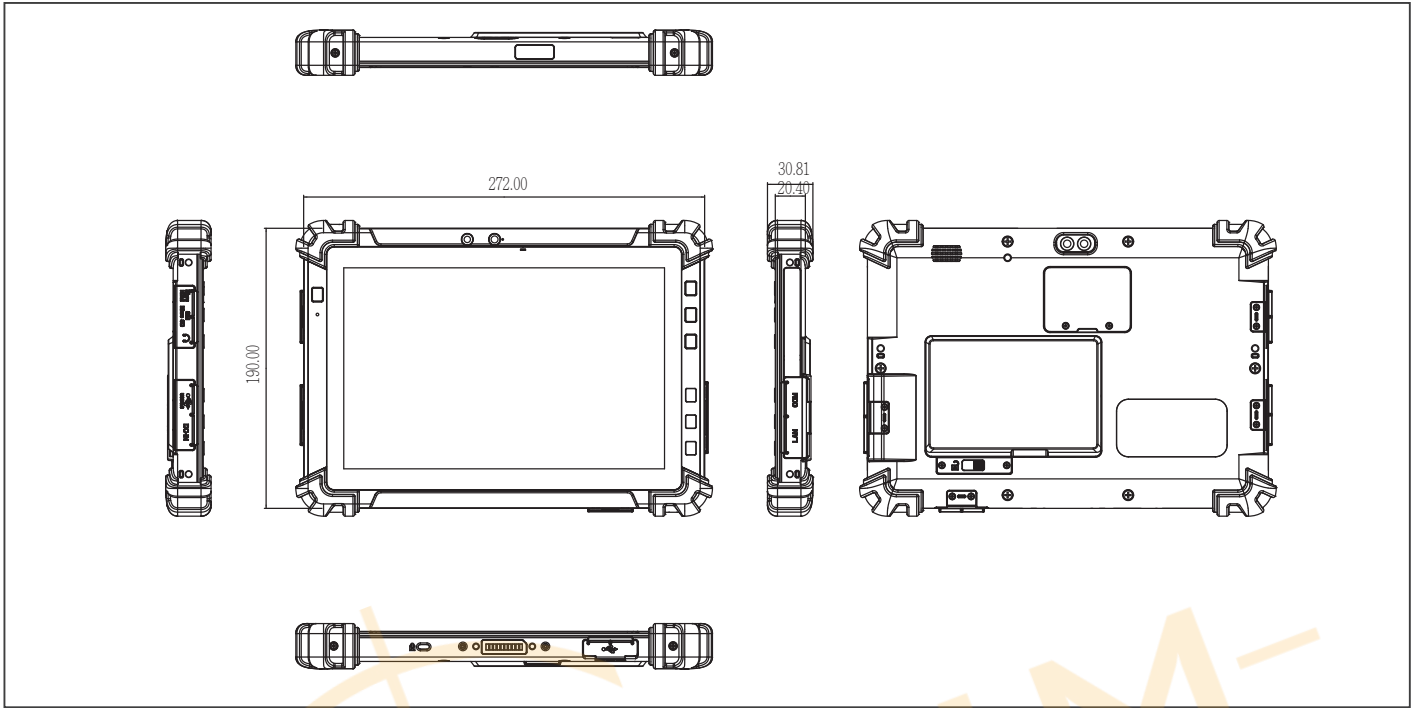
Barcode Scanner (Optional)	2D Barcode scanner, OPTICON MDI-4100-USB (Optional)
HF RFID (Optional)	ISO 15693 (R/W), ISO 18092 (R/W), ISO 14443-A (R/W), ISO 14443-B (Only Read UID), Depend on card type
Audio	Speaker x 1
Physical Key	F0 or Windows (Windows Start Key), F1 (BCR Trigger Button (When BCR is enabled)), F2 (Screenprint), F3 (Ctrl+Alt+Del as Soft Reboot), Volume Up (Speaker Volume Up), Volume Down (Speaker Volume Down)
Mechanical	
Color	Black & Dark Grey
Dimension (W x H x D)	10.71" x 7.48" x 0.80" (272.0 x 190.0 x 20.4 mm)
Gross Weight	1.0 Kg (2.2 lb) based on configurations
Environmental	
Operating Temperature	-4°F ~ 122°F (-20°C ~ 50°C)
Storage Temperature	-22°F ~ 158°F (-30°C ~ 70°C)
Humidity	0% ~ 90% relative humidity, non-condensing
Environmental Sealing	IP65
Vibration	MIL-STD-810G-514.6 Procedure I Cat.24, Fig 514.6E-1 & 514.6E-2 (Unit is non-operating) ASTM 4169-99 Truck Assurance Level II, Schedule E (Unit is non-operating)
Drop	MIL-STD-810G-516.6, Procedure IV Drop height: 122 cm Number of Drop: 26 times, for all surfaces, edges and corners Condition: Based on 2" plywood over concrete
Shock	—
ESD	Air charge: +/- 8KV, Contact charge: +/- 4KV
Certifications and Standards	UL60950-1, CE, FCC
Power Supply	
AC / DC Adapter	AC 100 ~ 240 V, 50 ~ 60 Hz, Output: 12V/ 3A/ 36W
Battery Life	Li-ion Battery 8-hour battery life based on test configurations
Master Battery	Hot-swappable battery: 14.4V, 2270mAh, 32.7W
Slave Battery	7.4V, 1530mAh, 11.3W
Display	
LCD	10.1" TFT-LCD Display
Resolution	1280 x 800
Maximum Color	16.7M
Dot Size	0.1692 (H) x 0.1692 (V) mm
Brightness	300 nits (800 nits, Optional)
Viewing Angle	Horizontal: 170°, Vertical: 170° (Typical)
Touch Screen	
Touch Type	Projected Capacitive Multi-Touch Screen (PCT)
Light Transmission	Min. 85%

Specifications

System Architecture	
Processor	Intel® Celeron™ N3350 1.1GHz Dual core up to 2.4GHz Intel® Pentium™ N4200 1.1GHz Quad core up to 2.5GHz
Operating System	Windows® 10 IOT Enterprise SAC
Memory	Onboard DDR3L 4GB (Default) / 8GB
Storage	eMMC 64GB (Up to 256GB, Optional)
Display	10.1" WXGA (1280x800) 800-nit / 300-nit TFT LCD With Projected Capacitive Multi-Touch Screen
I/O Port	Micro-HDMI port x 1 SIM card slot x 1 Micro-SD card slot x 1 Audio jack x 1 (3.5mm) USB 3.2 Gen 1 x 2 (USB Type-C x 1), USB 2.0 x 2 DC-in jack x 1 RS-232/422/485 COM Port x 1 10/100/1000 Base-T RJ45 x 1 Smart card reader x 1 (Optional, Without IP protection)
Communication	Wi-Fi 802.11 b/g/n, Bluetooth v5.1 (EDR + BLE), Intel AC9260
Navigation	Up to 3 GNSS, GPS + Galileo (Default), GLONASS, BeiDou (Optional)
WWAN(optional)	LTE via mini-card slot (Optional)
Camera	2MP front camera 8MP rear camera with flash
Sensor	G-sensor, E-compass, Gyro-sensor, Light-sensor
Expansion Slot	Inside M.2 slot x 1 (For WiFi module) Mini-card slot x 1 (For LTE module) Docking connector: USB 2.0 x 1

Dimension

Unit: mm



Packing List

- **RTC-1010**
- **1255300365**
AC-To-DC Power Adaptor, 12V, 36W
*Power cord must be purchased separately.

Optional Accessories

- **RDS-411-000**
Docking Station, W/O Stand
- **RDS-411-001**
Docking Station, W/ Stand
- **RBC-1200-000**
4-bay Battery Charger
- **RTC-1010-HS-000**
Hand Strap
- **RTC-1010-SB-000**
Shoulder Belt, 2 Points
- **RTC-1200BAT01-000**
Battery Pack, 14.4V, 2270mAh , 2 pcs/Box
- **1255900363**
DC-To-DC Power Adaptor, Flying Wires
- **1255900364**
DC-To-DC Power Adaptor, Cigarette Plug

Ordering Information

Part Number	CPU	OS	LCD Display	Touch Screen	System Memory	Storage	Expansion I/O	Sensor	WiFi/Bluetooth	Navigation	LTE Bands (MHz)	Camera	2D Barcode Scanner	NFC	Battery	Power
RTC-1010-R2004	N3350	Windows 10 IOT	10.1" 300 nits	PCT 10 points	DDR3L 4GB	eMMC 64GB	Micro-HDMI port x 1, SIM card slot x 1, Micro-SD card slot x 1, Audio jack x 1, USB 3.0 x 2 (USB Type-C x 1), USB 2.0 x 2 DC-in jack x 1	G-sensor E-compass Gyro-sensor Light-sensor	802.11 b/g/n + BT5.1	N/A	N/A	Front: 2MP Rear: 8MP w/ Flash	N/A	N/A	32.7W	DC12V
RTC-1010-R2005	N3350	Windows 10 IOT	10.1" 300 nits	PCT 10 points	DDR3L 4GB	eMMC 64GB	Micro-HDMI port x 1, SIM card slot x 1, Micro-SD card slot x 1, Audio jack x 1, USB 3.0 x 2 (USB Type-C x 1), USB 2.0 x 2 DC-in jack x 1, RS-232/422/485 COM Port x 1, 10/100/1000 Base-T RJ45 x 1	G-sensor E-compass Gyro-sensor Light-sensor	802.11 b/g/n + BT5.1	GPS / Galileo / GLONASS	N/A	"Front: 2MP Rear: 8MP w/ Flash"	N/A	N/A	32.7W + 11.3W	DC12V
RTC-1010-R2001	N3350	Windows 10 IOT	10.1" 300 nits	PCT 10 points	DDR3L 4GB	eMMC 64GB	Micro-HDMI port x 1, SIM card slot x 1, Micro-SD card slot x 1, Audio jack x 1, USB 3.0 x 2 (USB Type-C x 1), USB 2.0 x 2 DC-in jack x 1, RS-232/422/485 COM Port x 1, 10/100/1000 Base-T RJ45 x 1	G-sensor E-compass Gyro-sensor Light-sensor	802.11 b/g/n + BT5.1	GPS / Galileo / GLONASS	N/A	"Front: 2MP Rear: 8MP w/ Flash"	Yes	Yes	32.7W + 11.3W	DC12V
RTC-1010-R2003	N4200	Windows 10 IOT	10.1" 300 nits	PCT 10 points	DDR3L 4GB	eMMC 64GB	Micro-HDMI port x 1, SIM card slot x 1, Micro-SD card slot x 1, Audio jack x 1, USB 3.0 x 2 (USB Type-C x 1), USB 2.0 x 2 DC-in jack x 1, RS-232/422/485 COM Port x 1, 10/100/1000 Base-T RJ45 x 1	G-sensor E-compass Gyro-sensor Light-sensor	802.11 b/g/n + BT5.1	GPS / Galileo / GLONASS	N/A	"Front: 2MP Rear: 8MP w/ Flash"	Yes	Yes	32.7W + 11.3W	DC12V
RTC-1010-RH2005	N3350	Windows 10 IOT	10.1" 800 nits	PCT 10 points	DDR3L 4GB	eMMC 64GB	Micro-HDMI port x 1, SIM card slot x 1, Micro-SD card slot x 1, Audio jack x 1, USB 3.0 x 2 (USB Type-C x 1), USB 2.0 x 2 DC-in jack x 1, RS-232/422/485 COM Port x 1, 10/100/1000 Base-T RJ45 x 1	G-sensor E-compass Gyro-sensor Light-sensor	"802.11 b/g/n + BT5.1"	GPS / Galileo / GLONASS	N/A	"Front: 2MP Rear: 8MP w/ Flash"	N/A	N/A	32.7W + 11.3W	DC12V
RTC-1010-RH2003	N4200	Windows 10 IOT	10.1" 800 nits	PCT 10 points	DDR3L 4GB	eMMC 64GB	Micro-HDMI port x 1, SIM card slot x 1, Micro-SD card slot x 1, Audio jack x 1, USB 3.0 x 2 (USB Type-C x 1), USB 2.0 x 2 DC-in jack x 1, RS-232/422/485 COM Port x 1, 10/100/1000 Base-T RJ45 x 1	G-sensor E-compass Gyro-sensor Light-sensor	802.11 b/g/n + BT5.1	GPS / Galileo / GLONASS	N/A	"Front: 2MP Rear: 8MP w/ Flash"	Yes	Yes	32.7W + 11.3W	DC12V



Headquarters & Warehouse

Elektrostraat 17
NL-7483 PG Haaksbergen
The Netherlands

T: +31 (0)53 573 33 33
E: info@texim-europe.com
Homepage: www.texim-europe.com



The Netherlands

Elektrostraat 17
NL-7483 PG Haaksbergen

T: +31 (0)53 573 33 33
E: nl@texim-europe.com



Belgium

Zuiderlaan 14, box 10
B-1731 Zellik

T: +32 (0)2 462 01 00
E: belgium@texim-europe.com



UK & Ireland

St Mary's House, Church Lane
Carlton Le Moorland
Lincoln LN5 9HS

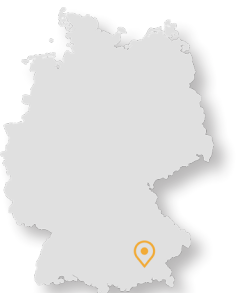
T: +44 (0)1522 789 555
E: uk@texim-europe.com



Germany - North

Bahnhofstrasse 92
D-25451 Quickborn

T: +49 (0)4106 627 07-0
E: germany@texim-europe.com



Germany - South

Martin-Kollar-Strasse 9
D-81829 München

T: +49 (0)89 436 086-0
E: muenchen@texim-europe.com



Austria

Warwitzstrasse 9
A-5020 Salzburg

T: +43 (0)662 216 026
E: austria@texim-europe.com



Nordic

Søndre Jagtvej 12
DK-2970 Hørsholm

T: +45 88 20 26 30
E: nordic@texim-europe.com



Italy

Via Matteotti 43
IT-20864 Agrate Brianza (MB)

T: +39 (0)39 9713293
E: italy@texim-europe.com