

Mini PCI Express cellular modem card LM-PLS8-E-SM

Distributed by:



www.texim-europe.com



Reliable Cinterion quality



Micro SIM holder



100Mbps download speed



14.4Mbps download speed



Wide temperature range



miniPCIe interface



U.FL antenna connector



USB 2.0 interface



Dual band GSM

Fully featured data modem card Ready to be connected

- Quick and easy integration into your embedded M2M designs
- Supports and enables easy product migration through to LTE applications
 - Spanning: GSM and UMTS with GPRS/EDGE/HSPA+ specifications
- Supports: Windows®8, Windows®7, Linux and Android
- Data speeds up to 100Mbps
- Integrated micro SIM card holder
- USB 2.0 interface
- U.FL antenna interface

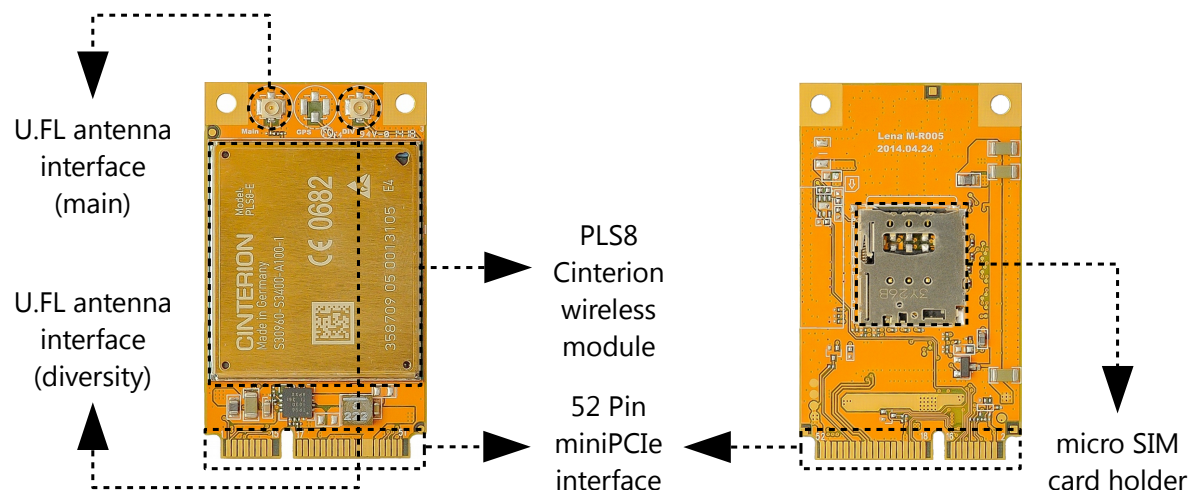


(original Hirose U.FL antenna pigtails available from GTT)



Why GTT data modem cards? Delivering everything you need

- **Quick Time to Market for your 3G applications** shorten your development time and costs, reduce your design risk and bring your products to market faster
- **Industry standard miniPCIe interface (52 pin)** providing flexible design
- **Integrated micro SIM Card holder as standard** for industrial M2M applications
- **A market leading reliable industrial module** Cinterion wireless modules
- **Robust industrial solution** -30 to +85 Degrees Celsius



Distributed by:



www.texim-europe.com



Reliable Cinterion quality



Micro SIM holder



100Mbps download speed



14.4Mbps download speed



Wide temperature range



miniPCIe interface



U.FL antenna connector



USB 2.0 interface



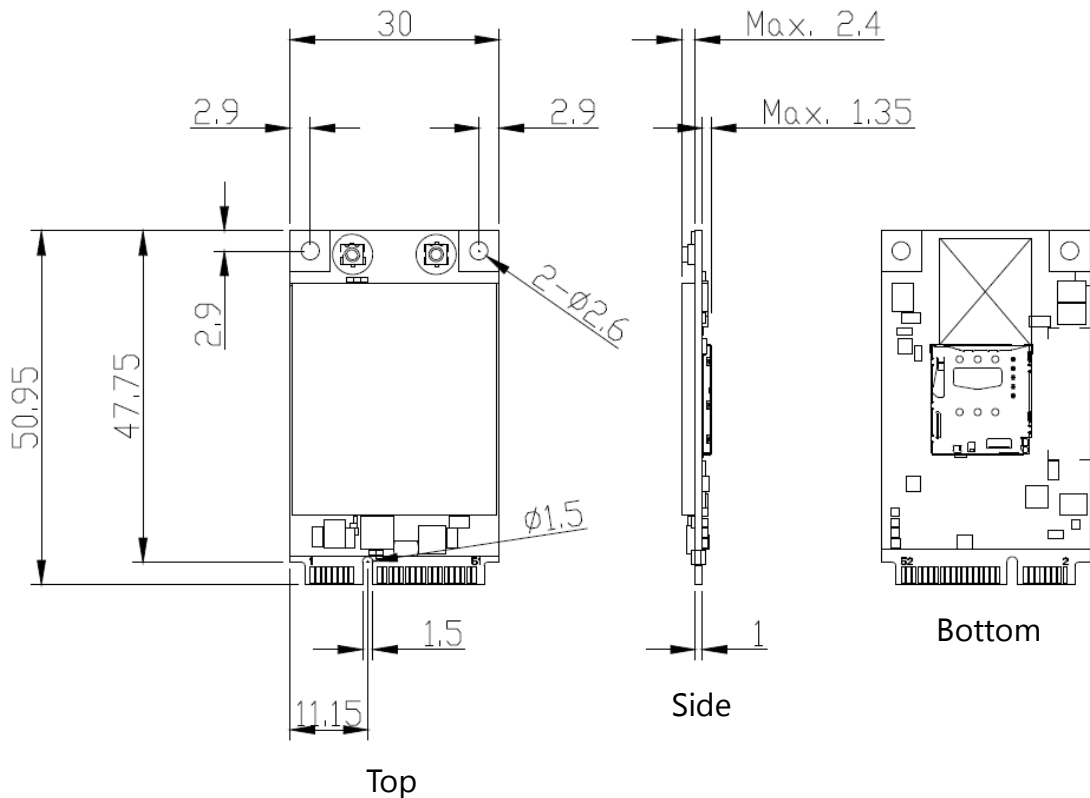
Dual band GSM

GTT M2M industrial data modem card

Delivering outdoor industrial solutions

Mini PCI Express data card specification	
Product code	LM-PLS8-E-SM
Air interface	LTE (Europe)
Data speed	Download: 100Mbps. Upload: 50Mbps
Rx diversity	UMTS/LTE
Antenna connector	50 Ohms U.FL connector x2, Main/Diversity antenna
SIM card connector	Micro SIM
Operating temperature	-30°C to +85°C (-22°F to +185°F)
Voltage requirement	3.3 ± 0.3V
Dimensions	51mm (L) x 30mm (W) x 4.75mm (H)
Control options	AT command
OS compatibility	Windows®8, Windows®7, Linux, Android
Frequency Band (Mhz)	
GSM/GPRS/EDGE	900/1800 GPRS/EDGE Class 12
HSPA+/UMTS	900/1800/2100
FDD-LTE	800/900/1800/2600

Technical drawings



Distributed by:



www.texim-europe.com