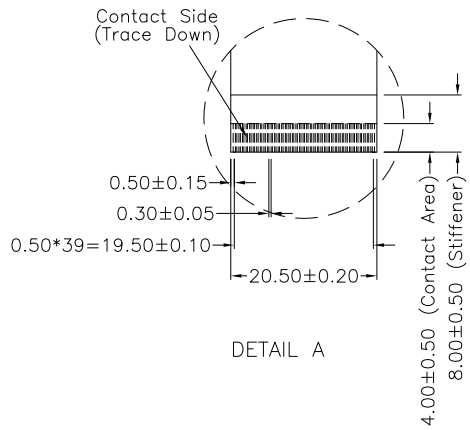
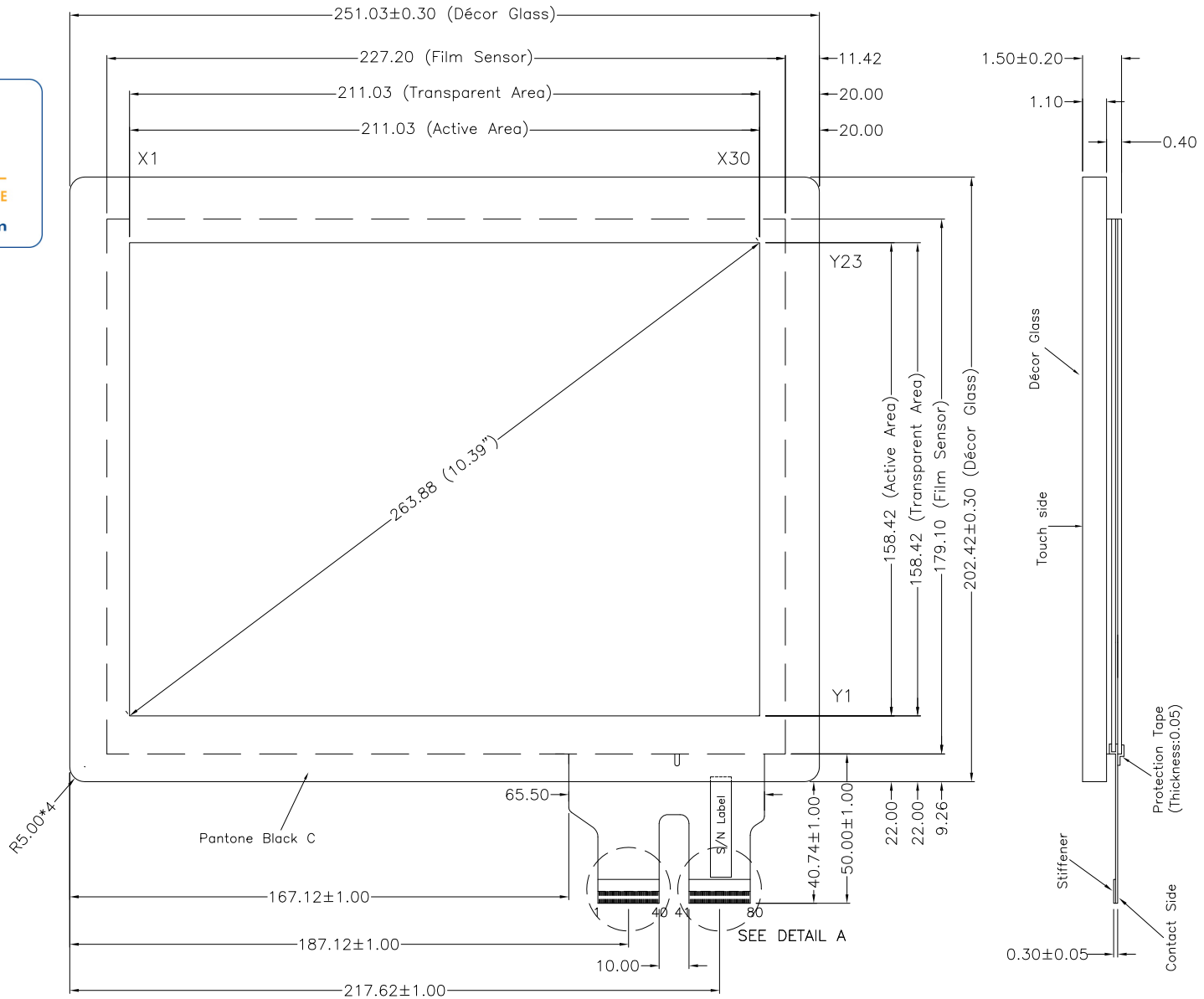


TOUCH SIDE VIEW



PIN#	Assignment
1-3	Blank
4	Grounding Line
5	Blank
6	Grounding Line
7	Blank
8-37	X1-X30
38-39	Blank
40	Grounding Line
41-51	Blank
52	Grounding Line
53	Blank
54-76	Y1-Y23
77-79	Blank
80	Grounding Line



NOTES:

- INPUT MODE : PROJECTED CAPACITIVE
- OVERALL THICKNESS : 1.50±0.20mm
- DÉCOR GLASS THICKNESS : 1.10mm
- FRONT SURFACE : CLEAR
- TAIL TYPE : GOLD PLATED FPC , ZIF
- RECOMMENDED CONTROL BOARDS : PENMOUNT PM1300 SERIES
- OTHER SPEC : SEE APPROVAL SHEET
- PLEASE REFER TO AMT TOUCH SCREEN INTEGRATION GUIDES FOR SYSTEM MECHANICAL DESIGN AND ASSEMBLY METHODS



NO.	DATE	DESCRIPTION	CHK
A	SEP 26 , 2011	EMI SHIELD FILM MODIFY	JERRY
REVISION			
CHIEF OF DESIGN		APPROVED	Jerry
DRAWN BY	Willi	DATE	Mar.31, 2014
SHEET 1 OF 1			

Apex Material Technology Corp.	
TOLERANCES UNLESS SPECIFIED	DWG NO :
.X ± 0.50	P3008-AG-1-012
.XX ± 0.50	
.XXX ± 0.30	
ANGULAR	SCALE: N/S UNIT: mm

TEXIM EUROPE

Partner in Electronic Components & Supply Chain Solutions



The Netherlands

Elektrostraat 17
NL-7483 PG Haaksbergen
Tel: +31 (0)53 573 33 33
Fax: +31 (0)53 573 33 30
nl@texim-europe.com



Belgium

Gentsesteenweg 1154-C22
Chaussée de Gand 1154-C22
B-1082 Brussel / Bruxelles
Tel: +32 (0)2 462 01 00
Fax: +32 (0)2 462 01 25
belgium@texim-europe.com



Denmark

Sdr. Jagtvej 12
DK-2970 Hørsholm
Tel: +45 88 20 26 30
Fax: +45 88 20 26 39
nordic@texim-europe.com



Germany

Bahnhofstrasse 92
D-25451 Quickborn
Tel: +49 (0)4106 627 07-0
Fax: +49 (0)4106 627 07-20
germany@texim-europe.com



Germany

Martin-Kollar-Strasse 9
D-81829 München
Tel: +49 (0)89 436 086-0
Fax: +49 (0)89 436 086-19
germany@texim-europe.com



Austria

Warwitzstrasse 9
A-5020 Salzburg
Tel: +43 (0)662 216026
Fax: +43 (0)662 216026-66
austria@texim-europe.com



United Kingdom

St. Mary's House, Church Lane
Carlton Le Moorland
Lincoln LN5 9HS
Tel: +44 (0)1522 789 555
Fax: +44 (0)845 299 22 26
uk@texim-europe.com

For more information: www.texim-europe.com

