



GREEN ELECTRONICS



CKF

Terminal Blocks



ISO
9001



ISO
14001



BS OHSAS
18001:2007



SAURO[®]
ELECTRONIC CONNECTORS
by the law

Distributed by:



www.texim-europe.com

Functional characteristics


Dimensional class:

Low


Standard colour:

green


Dimensions:

 10.35 x 19.2 mm
 (.406 x .756 in)

Max approved wire size:

 solid: 1,5 mm² (IMQ); 14 AWG (UL)
 stranded: 1.5 mm² (IMQ); 14 AWG (UL)

Clamp opening size:

2.6 x 1.7 mm (.102 x .067 in)

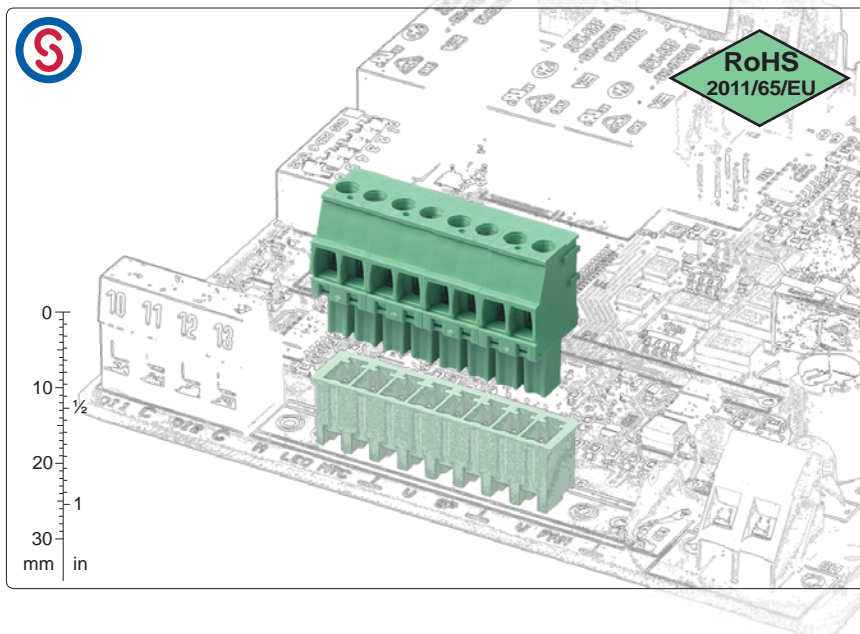

Versions:

 side stackable,
 modular,
 locking screw flanges

Single mould poles:

 from 2 to 3 (modular and side stackable)
 from 2 to 3 (locking screw flanges)

Pitches:

 metric 3.5 mm, 7 mm
 (.138 in, .276 in)
 imperial 3.81 mm, 7.62 mm
 (.150 in, .300 in)

 pitch 3.5 and 3.81 mm
 from 2 to 16 poles
 modular right

 pitch 3.5 and 3.81 mm
 from 2 to 16 poles
 modular left

 pitch 3.5 and 3.81 mm
 from 2 to 16 poles
 locking screw flanges

 pitch 3.5 and 3.81 mm
 from 2 to 16 poles
 side stackable right

 pitch 3.5 and 3.81 mm
 from 2 to 16 poles
 side stackable left

 CKF-SC1
 coding splines

Brief description

Although the **CKF** vertical female connector series is small in size it offers a **high number of connection possibilities**, in fact it can wire up to 1.5mm² (14 AWG) and therefore a certified current range of 13,5A can be reached.

It is available in 3.5 mm (.138 in), 3.81 mm (.100 in), 7.5 mm (.275 in) and 7.62 mm (.300 in) pitches, in monolithic blocks from 2 to 16 poles, in side-stackable, modular or with locking screw flanges.

The **CKF** Connector Series for PCBs features an asymmetric profile so mistakes are prevented when connections are made with the corresponding **CTM** male connector. Further safety when connecting can

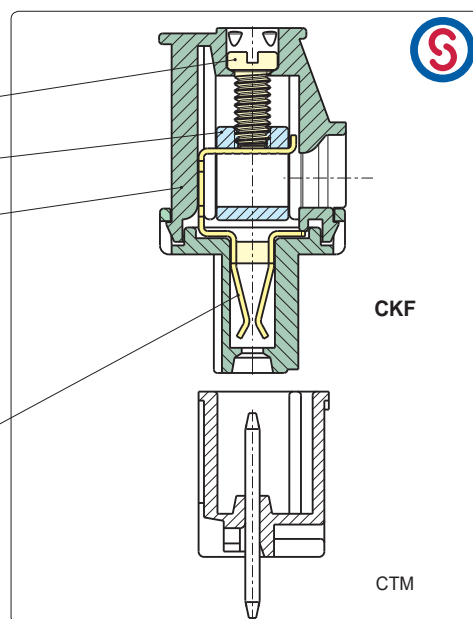
be obtained by using the CTM-LC1 and CTF-SCI Coding Splines and Coding Clips (see page 18 – 19)

The basic modular connectors can be stacked or assembled to obtain any number of poles without losing the pitch. By taking advantage of this feature a minimum quantity of basic connectors can be stored.

It is simple to manage products, warehouse and assembly with the **Kit packages** because several versions can be achieved with **only one code**, the part-numbers and the risk of making mistakes being significantly reduced.

Components features

- M2 nickel plated copper alloy screw.
- Nickel-plated copper alloy rising clamp.
- Polyamide housing.
Standard colour: GREEN.
V0 self-extinguishing according to UL 94.
Chlorinated solvents resistant,
with no phosphor, dioxin or
detrimental to health halogens.
- Lead-free tin-plated copper alloy spring.



Mechanical features

Insertion force per pole	max 3 N (max .674 lbf)
Withdrawal force per pole	min 1,5 N (min .337 lbf)
Recommended/Highest tightening torque	0.2/0.25 Nm (1.77/2.21 lbf-in)
Stripping length	5 ÷ 6 mm (.20 ÷ .24 in)
Operating temperature range	-40 °C ÷ +110 °C (-40 °F ÷ +230 °F)
Climatic category	40/110/21 According to EN 60068-1

Electrical features*

Solid wire section	0.05 ÷ 1.5 mm ² (IMQ)* 30÷14 AWG (UL)*
Stranded wire section	0.05 ÷ 1.5 mm ² (IMQ)* 30÷14 AWG (UL)*
Rated voltage for 3.5 mm (.138 in) and 3.81 mm (.150 in) pitch	300 V (UL)*
Rated voltage for 7 mm (.275 in) and 7.62 mm (.300 in) pitch	1000 V (cat.II/2) (IMQ)*
Rated current	11 A (IMQ)*
Contact resistance	<15 mΩ
Insulation resistance	>10 ⁹ Ω (500V DC)

*All the a.m. data refer to the highest values amongst the certified ones.

V voltage, I current values and tightening torque are related to the norms to be applied to the product and to its use.

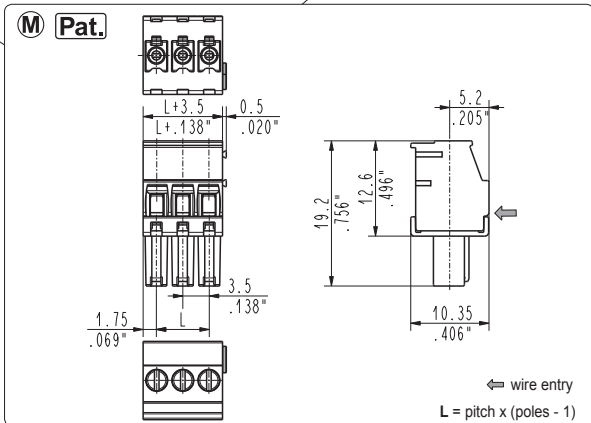
Approvals

IEC-EN	IEC:	for 3.5 mm and 3.81 mm pitch: 150 V - 11 A - 1.5 mm ² - T110 - 2.5kV - III/3 / 300 V - 11 A - 1.5 mm ² - T110 - 2.5kV - II/2
	EN 61984	for 7 mm and 7.62 mm pitch: 400 V - 11 A - 1.5 mm ² - T110 - 6kV - III/3 / 1000 V - 11 A - 1.5 mm ² - T110 - 6kV - II/2

UL	UL:	300 V - 10 A - 30÷14 AWG - 2.7 lbf-in for 3.5 mm, 3.81 mm, 7 mm and 7.62 mm pitch
	File E167473	Application values for end-use equipment have to be in accordance to UL norms and applicable to it.

IMQ	IMQ:	for 3.5 mm and 3.81 mm pitch: 150 V - 11 A - 1.5 mm ² - T110 - 2.5kV - III/3 / 300 V - 11 A - 1.5 mm ² - T110 - 2.5kV - II/2
	File n. CA02.00901	for 7 mm and 7.62 mm pitch: 400 V - 11 A - 1.5 mm ² - T110 - 6kV - III/3 / 1000 V - 11 A - 1.5 mm ² - T110 - 6kV - II/2

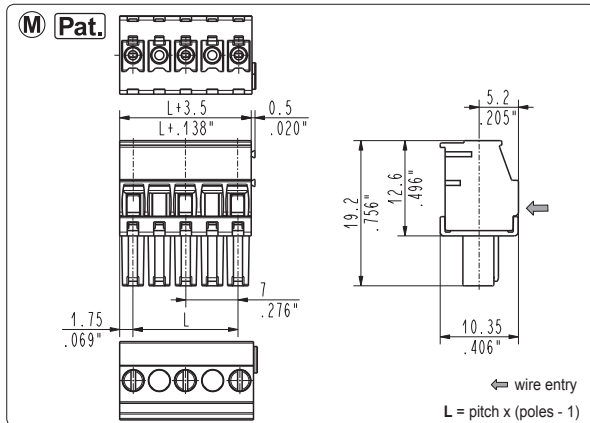
See also "Certifications", page 8



CKF_0M8 right modular female

3.5 mm / .138" pitch

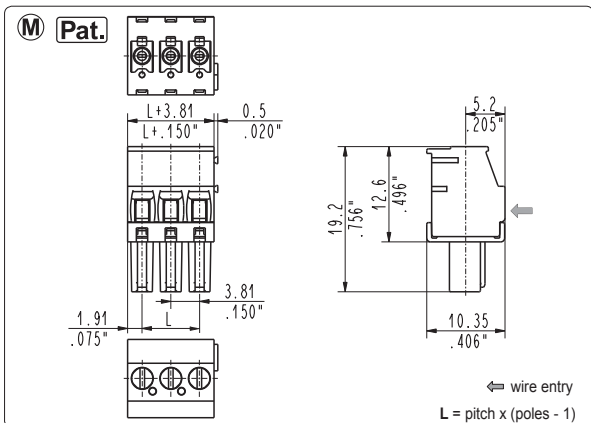
Poles	Code	Pcs/pack.	W [kg]*	Pcs/Ind.**	W [kg]*
02	CKF020M8	500	1,60	2000	6,40
03	CKF030M8	400	1,92	1750	8,40
04	CKF040M8	300	1,92	1500	9,60
05	CKF050M8	250	2,00	1500	12,00
06	CKF060M8	200	1,92	1250	12,00
07	CKF070M8	175	1,96	1250	14,00
08	CKF080M8	125	1,60	1000	12,80
09	CKF090M8	125	1,80	750	10,80
10	CKF100M8	100	1,60	750	12,00
11	CKF110M8	100	1,76	750	13,20
12	CKF120M8	75	1,44	750	14,40
13	CKF130M8	75	1,56	750	15,60
14	CKF140M8	100	2,24	750	16,80
15	CKF150M8	100	2,40	750	18,00
16	CKF160M8	100	2,56	750	19,20
17	CKF170M8	50	1,36	500	13,60
18	CKF180M8	50	1,44	500	14,40
19	CKF190M8	50	1,52	500	15,20
20	CKF200M8	50	1,60	500	16,00
21	CKF210M8	50	1,68	500	16,80
22	CKF220M8	50	1,76	500	17,60
23	CKF230M8	50	1,84	500	18,40
24	CKF240M8	50	1,92	500	19,20
25	CKF250M8	50	2,00	500	20,00



CKF_0M9 right modular female

7 mm / .276" pitch

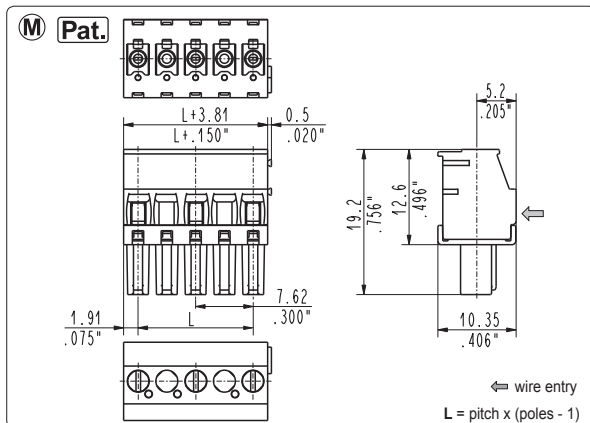
Poles	Code	Pcs/pack.	W [kg]*	Pcs/Ind.**	W [kg]*
01	CKF010M9	500	0,95	2000	3,80
02	CKF020M9	400	1,52	1750	6,65
03	CKF030M9	250	1,43	1500	8,55
04	CKF040M9	175	1,33	1250	9,50
05	CKF050M9	125	1,19	1000	9,50
06	CKF060M9	100	1,14	750	8,55
07	CKF070M9	100	1,33	750	9,98
08	CKF080M9	100	1,52	750	11,40
09	CKF090M9	50	0,86	500	8,55
10	CKF100M9	50	0,95	500	9,50
11	CKF110M9	50	1,05	500	10,45
12	CKF120M9	50	1,14	500	11,40
13	CKF130M9	50	1,24	500	12,35



CKF_0MT right modular female

3.81 mm / .150" pitch

Poles	Code	Pcs/pack.	W [kg]*	Pcs/Ind.**	W [kg]*
02	CKF020MT	500	1,60	2000	6,40
03	CKF030MT	400	1,92	1750	8,40
04	CKF040MT	300	1,92	1500	9,60
05	CKF050MT	250	2,00	1500	12,00
06	CKF060MT	200	1,92	1250	12,00
07	CKF070MT	175	1,96	1250	14,00
08	CKF080MT	125	1,60	1000	12,80
09	CKF090MT	125	1,80	750	10,80
10	CKF100MT	100	1,60	750	12,00
11	CKF110MT	100	1,76	750	13,20
12	CKF120MT	75	1,44	750	14,40
13	CKF130MT	75	1,56	750	15,60
14	CKF140MT	100	2,24	750	16,80
15	CKF150MT	100	2,40	750	18,00
16	CKF160MT	100	2,56	750	19,20



CKF_0M7 right modular female

7.62 mm / .300" pitch

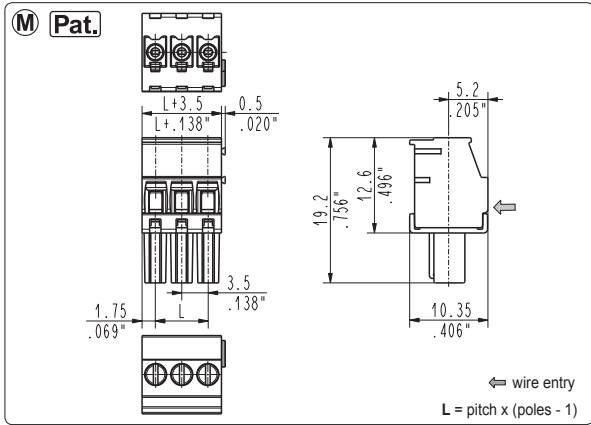
Poles	Code	Pcs/pack.	W [kg]*	Pcs/Ind.**	W [kg]*
01	CKF010M7	500	0,95	2000	3,80
02	CKF020M7	400	1,52	1750	6,65
03	CKF030M7	250	1,43	1500	8,55
04	CKF040M7	175	1,33	1250	9,50
05	CKF050M7	125	1,19	1000	9,50
06	CKF060M7	100	1,14	750	8,55
07	CKF070M7	100	1,33	750	9,98
08	CKF080M7	100	1,52	750	11,40

Distributed by:

www.texim-europe.com

*W [kg]: approximate weight per box in kg

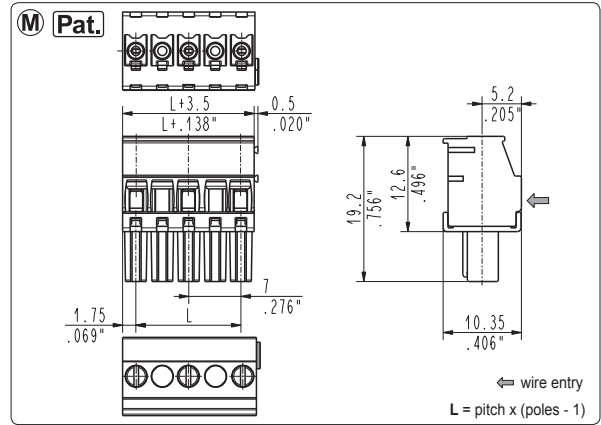
**industrial packaging: add "-00000E" at standard code



CKF_0W8 left modular female

3.5 mm / .138" pitch

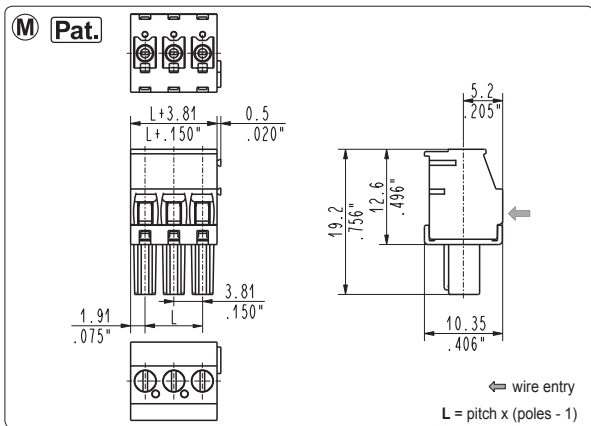
Poles	Code	Pcs/pack.	W [kg]*	Pcs/Ind.**	W [kg]*
02	CKF020W8	500	1,60	2000	6,40
03	CKF030W8	400	1,92	1750	8,40
04	CKF040W8	300	1,92	1500	9,60
05	CKF050W8	250	2,00	1500	12,00
06	CKF060W8	200	1,92	1250	12,00
07	CKF070W8	175	1,96	1250	14,00
08	CKF080W8	125	1,60	1000	12,80
09	CKF090W8	125	1,80	750	10,80
10	CKF100W8	100	1,60	750	12,00
11	CKF110W8	100	1,76	750	13,20
12	CKF120W8	75	1,44	750	14,40
13	CKF130W8	75	1,56	750	15,60
14	CKF140W8	100	2,24	750	16,80
15	CKF150W8	100	2,40	750	18,00
16	CKF160W8	100	2,56	750	19,20
17	CKF170W8	50	1,36	500	13,60
18	CKF180W8	50	1,44	500	14,40
19	CKF190W8	50	1,52	500	15,20
20	CKF200W8	50	1,60	500	16,00
21	CKF210W8	50	1,68	500	16,80
22	CKF220W8	50	1,76	500	17,60
23	CKF230W8	50	1,84	500	18,40
24	CKF240W8	50	1,92	500	19,20
25	CKF250W8	50	2,00	500	20,00



CKF_0W9 left modular female

7 mm / .276" pitch

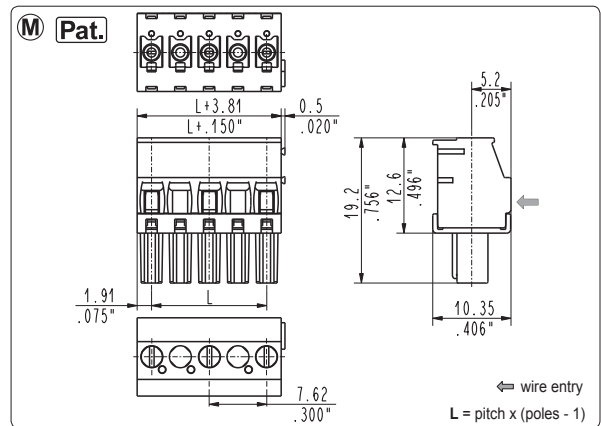
Poles	Code	Pcs/pack.	W [kg]*	Pcs/Ind.**	W [kg]*
01	CKF010W9	500	0,95	2000	3,80
02	CKF020W9	400	1,52	1750	6,65
03	CKF030W9	250	1,43	1500	8,55
04	CKF040W9	175	1,33	1250	9,50
05	CKF050W9	125	1,19	1000	9,50
06	CKF060W9	100	1,14	750	8,55
07	CKF070W9	100	1,33	750	9,98
08	CKF080W9	100	1,52	750	11,40
09	CKF090W9	50	0,86	500	8,55
10	CKF100W9	50	0,95	500	9,50
11	CKF110W9	50	1,05	500	10,45
12	CKF120W9	50	1,14	500	11,40
13	CKF130W9	50	1,24	500	12,35



CKF_0WT left modular female

3.81 mm / .150" pitch

Poles	Code	Pcs/pack.	W [kg]*	Pcs/Ind.**	W [kg]*
02	CKF020WT	500	1,60	2000	6,40
03	CKF030WT	400	1,92	1750	8,40
04	CKF040WT	300	1,92	1500	9,60
05	CKF050WT	250	2,00	1500	12,00
06	CKF060WT	200	1,92	1250	12,00
07	CKF070WT	175	1,96	1250	14,00
08	CKF080WT	125	1,60	1000	12,80
09	CKF090WT	125	1,80	750	10,80
10	CKF100WT	100	1,60	750	12,00
11	CKF110WT	100	1,76	750	13,20
12	CKF120WT	75	1,44	750	14,40
13	CKF130WT	75	1,56	750	15,60
14	CKF140WT	100	2,24	750	16,80
15	CKF150WT	100	2,40	750	18,00
16	CKF160WT	100	2,56	750	19,20



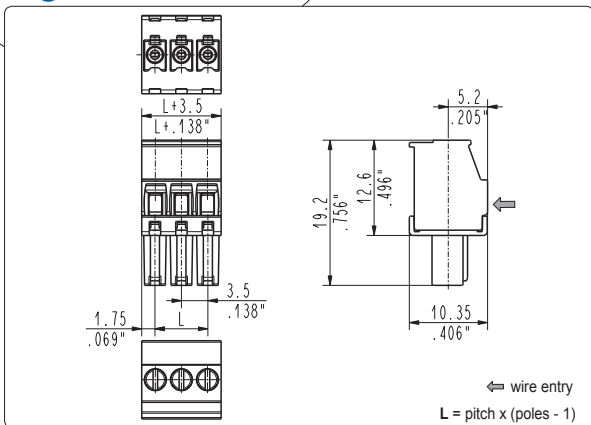
CKF_0W7 left modular female

7.62 mm / .300" pitch

Poles	Code	Pcs/pack.	W [kg]*	Pcs/Ind.**	W [kg]*
01	CKF010W7	500	0,95	2000	3,80
02	CKF020W7	400	1,52	1750	6,65
03	CKF030W7	250	1,43	1500	8,55
04	CKF040W7	175	1,33	1250	9,50
05	CKF050W7	125	1,19	1000	9,50
06	CKF060W7	100	1,14	750	8,55
07	CKF070W7	100	1,33	750	9,98
08	CKF080W7	100	1,52	750	11,40

Distributed by:

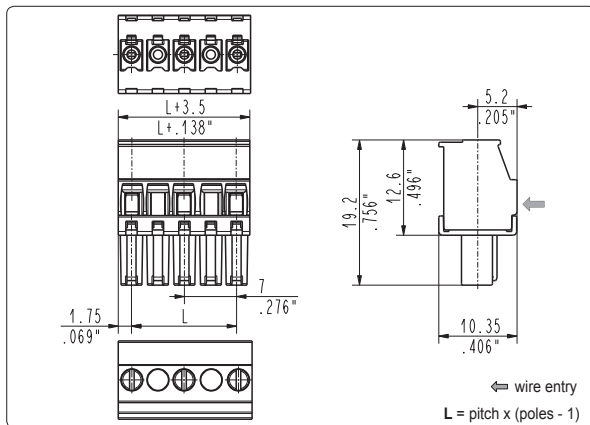
www.texim-europe.com



CKF_0R8 right side stackable female

3.5 mm / .138" pitch

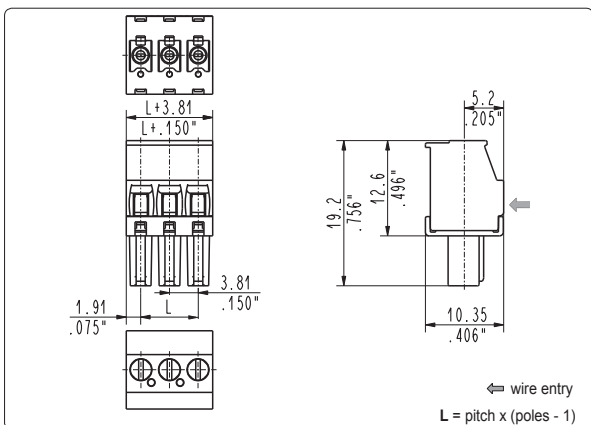
Poles	Code	Pcs/pack.	W [kg]*	Pcs/Ind.**	W [kg]*
02	CKF020R8	500	1,60	2000	6,40
03	CKF030R8	400	1,92	1750	8,40
04	CKF040R8	300	1,92	1500	9,60
05	CKF050R8	250	2,00	1500	12,00
06	CKF060R8	200	1,92	1250	12,00
07	CKF070R8	175	1,96	1250	14,00
08	CKF080R8	125	1,60	1000	12,80
09	CKF090R8	125	1,80	750	10,80
10	CKF100R8	100	1,60	750	12,00
11	CKF110R8	100	1,76	750	13,20
12	CKF120R8	75	1,44	750	14,40
13	CKF130R8	75	1,56	750	15,60
14	CKF140R8	100	2,24	750	16,80
15	CKF150R8	100	2,40	750	18,00
16	CKF160R8	100	2,56	750	19,20
17	CKF170R8	50	1,36	500	13,60
18	CKF180R8	50	1,44	500	14,40
19	CKF190R8	50	1,52	500	15,20
20	CKF200R8	50	1,60	500	16,00
21	CKF210R8	50	1,68	500	16,80
22	CKF220R8	50	1,76	500	17,60
23	CKF230R8	50	1,84	500	18,40
24	CKF240R8	50	1,92	500	19,20
25	CKF250R8	50	2,00	500	20,00



CKF_0R9 right side stackable female

7 mm / .276" pitch

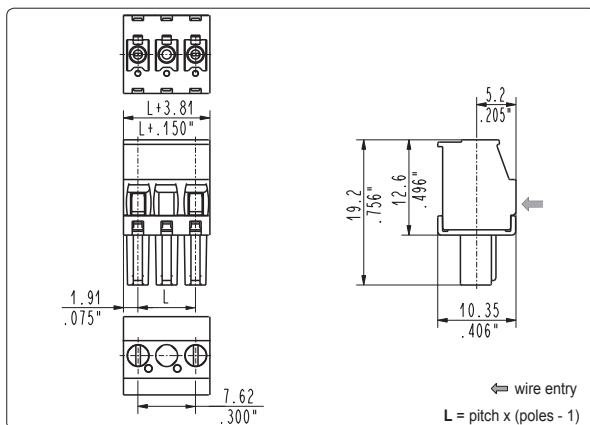
Poles	Code	Pcs/pack.	W [kg]*	Pcs/Ind.**	W [kg]*
02	CKF020R9	400	1,52	1750	6,65
03	CKF030R9	250	1,43	1500	8,55
04	CKF040R9	175	1,33	1250	9,50
05	CKF050R9	125	1,19	1000	9,50
06	CKF060R9	100	1,14	750	8,55
07	CKF070R9	100	1,33	750	9,98
08	CKF080R9	100	1,52	750	11,40
09	CKF090R9	50	0,86	500	8,55
10	CKF100R9	50	0,95	500	9,50
11	CKF110R9	50	1,05	500	10,45
12	CKF120R9	50	1,14	500	11,40
13	CKF130R9	50	1,24	500	12,35



CKF_0RT right side stackable female

3.81 mm / .150" pitch

Poles	Code	Pcs/pack.	W [kg]*	Pcs/Ind.**	W [kg]*
02	CKF020RT	500	1,60	2000	6,40
03	CKF030RT	400	1,92	1750	8,40
04	CKF040RT	300	1,92	1500	9,60
05	CKF050RT	250	2,00	1500	12,00
06	CKF060RT	200	1,92	1250	12,00
07	CKF070RT	175	1,96	1250	14,00
08	CKF080RT	125	1,60	1000	12,80
09	CKF090RT	125	1,80	750	10,80
10	CKF100RT	100	1,60	750	12,00
11	CKF110RT	100	1,76	750	13,20
12	CKF120RT	75	1,44	750	14,40
13	CKF130RT	75	1,56	750	15,60
14	CKF140RT	100	2,24	750	16,80
15	CKF150RT	100	2,40	750	18,00
16	CKF160RT	100	2,56	750	19,20



CKF_0R7 right side stackable female

7.62 mm / .300" pitch

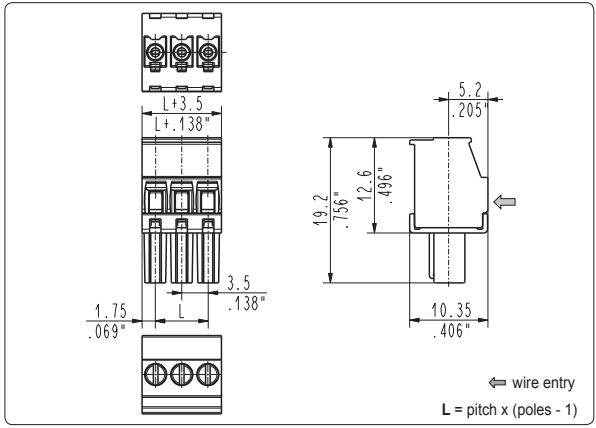
Poles	Code	Pcs/pack.	W [kg]*	Pcs/Ind.**	W [kg]*
02	CKF020R7	400	1,52	1750	6,65
03	CKF030R7	250	1,43	1500	8,55
04	CKF040R7	175	1,33	1250	9,50
05	CKF050R7	125	1,19	1000	9,50
06	CKF060R7	100	1,14	750	8,55
07	CKF070R7	100	1,33	750	9,98
08	CKF080R7	100	1,52	750	11,40

Distributed by:



*W [kg]: approximate weight per box in kg

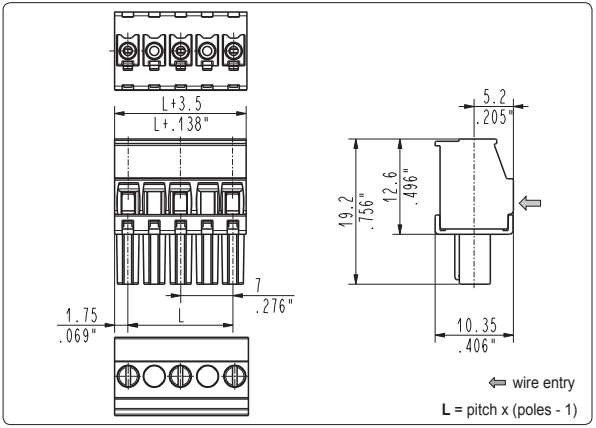
**Industrial packaging: add "-00000E" at standard code



CKF_0L8 left side stackable female

3.5 mm / .138" pitch

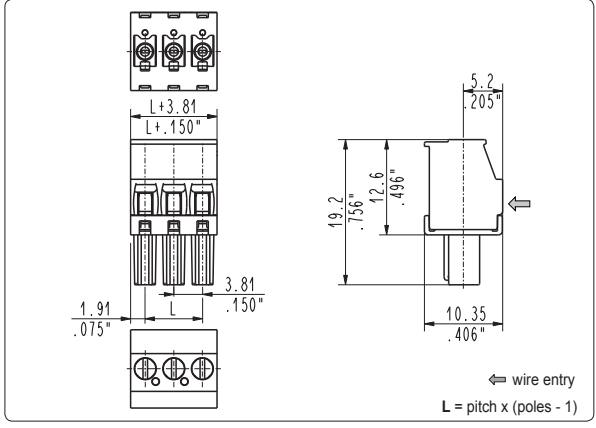
Poles	Code	Pcs/pack.	W [kg]*	Pcs/Ind.**	W [kg]*
02	CKF020L8	500	1,60	2000	6,40
03	CKF030L8	400	1,92	1750	8,40
04	CKF040L8	300	1,92	1500	9,60
05	CKF050L8	250	2,00	1500	12,00
06	CKF060L8	200	1,92	1250	12,00
07	CKF070L8	175	1,96	1250	14,00
08	CKF080L8	125	1,60	1000	12,80
09	CKF090L8	125	1,80	750	10,80
10	CKF100L8	100	1,60	750	12,00
11	CKF110L8	100	1,76	750	13,20
12	CKF120L8	75	1,44	750	14,40
13	CKF130L8	75	1,56	750	15,60
14	CKF140L8	100	2,24	750	16,80
15	CKF150L8	100	2,40	750	18,00
16	CKF160L8	100	2,56	750	19,20
17	CKF170L8	50	1,36	500	13,60
18	CKF180L8	50	1,44	500	14,40
19	CKF190L8	50	1,52	500	15,20
20	CKF200L8	50	1,60	500	16,00
21	CKF210L8	50	1,68	500	16,80
22	CKF220L8	50	1,76	500	17,60
23	CKF230L8	50	1,84	500	18,40
24	CKF240L8	50	1,92	500	19,20
25	CKF250L8	50	2,00	500	20,00



CKF_0L9 left side stackable female

7 mm / .276" pitch

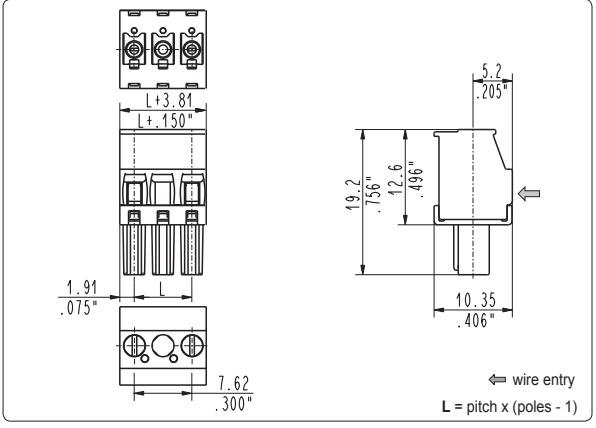
Poles	Code	Pcs/pack.	W [kg]*	Pcs/Ind.**	W [kg]*
02	CKF020L9	400	1,52	1750	6,65
03	CKF030L9	250	1,43	1500	8,55
04	CKF040L9	175	1,33	1250	9,50
05	CKF050L9	125	1,19	1000	9,50
06	CKF060L9	100	1,14	750	8,55
07	CKF070L9	100	1,33	750	9,98
08	CKF080L9	100	1,52	750	11,40
09	CKF090L9	50	0,86	500	8,55
10	CKF100L9	50	0,95	500	9,50
11	CKF110L9	50	1,05	500	10,45
12	CKF120L9	50	1,14	500	11,40
13	CKF130L9	50	1,24	500	12,35



CKF_0LT left side stackable female

3.81 mm / .150" pitch

Poles	Code	Pcs/pack.	W [kg]*	Pcs/Ind.**	W [kg]*
02	CKF020LT	500	1,60	2000	6,40
03	CKF030LT	400	1,92	1750	8,40
04	CKF040LT	300	1,92	1500	9,60
05	CKF050LT	250	2,00	1500	12,00
06	CKF060LT	200	1,92	1250	12,00
07	CKF070LT	175	1,96	1250	14,00
08	CKF080LT	125	1,60	1000	12,80
09	CKF090LT	125	1,80	750	10,80
10	CKF100LT	100	1,60	750	12,00
11	CKF110LT	100	1,76	750	13,20
12	CKF120LT	75	1,44	750	14,40
13	CKF130LT	75	1,56	750	15,60
14	CKF140LT	100	2,24	750	16,80
15	CKF150LT	100	2,40	750	18,00
16	CKF160LT	100	2,56	750	19,20



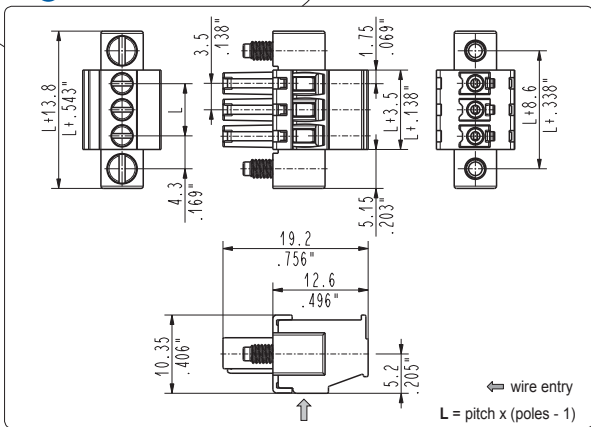
CKF_0L7 left side stackable female

7.62 mm / .300" pitch

Poles	Code	Pcs/pack.	W [kg]*	Pcs/Ind.**	W [kg]*
02	CKF020L7	400	1,52	1750	6,65
03	CKF030L7	250	1,43	1500	8,55
04	CKF040L7	175	1,33	1250	9,50
05	CKF050L7	125	1,19	1000	9,50
06	CKF060L7	100	1,14	750	8,55
07	CKF070L7	100	1,33	750	9,98
08	CKF080L7	100	1,52	750	11,40

Distributed by:

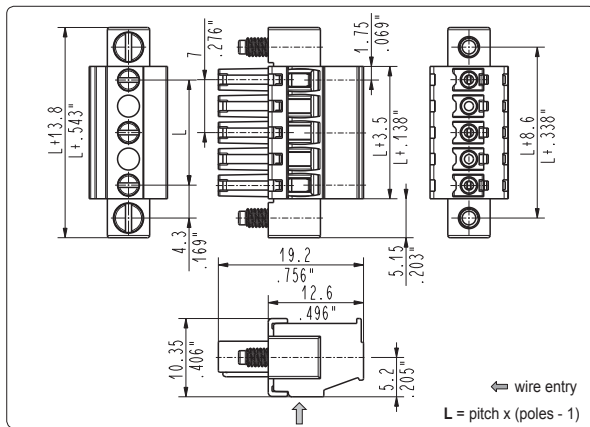
www.texim-europe.com



CKF_0D8 right with locking screw flanges female

3.5 mm / .138" pitch

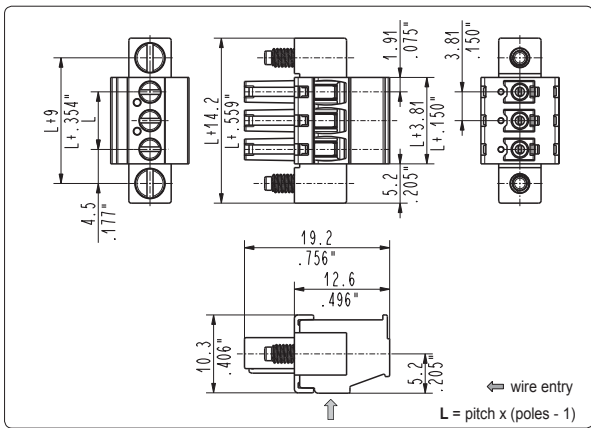
Poles	Code	Pcs/pack.	W [kg]*	Pcs/Ind.**	W [kg]*
02	CKF020D8	250	1,00	1250	5,00
03	CKF030D8	200	1,12	1000	5,60
04	CKF040D8	175	1,26	1000	7,20
05	CKF050D8	150	1,32	750	6,60
06	CKF060D8	125	1,30	750	7,80
07	CKF070D8	100	1,20	500	6,00
08	CKF080D8	100	1,36	500	6,80
09	CKF090D8	75	1,14	500	7,60
10	CKF100D8	75	1,26	500	8,40
11	CKF110D8	75	1,38	500	9,20
12	CKF120D8	75	1,50	500	10,00
13	CKF130D8	75	1,62	250	5,40
14	CKF140D8	50	1,16	250	5,80
15	CKF150D8	50	1,24	250	6,20
16	CKF160D8	50	1,32	250	6,60
17	CKF170D8	50	1,40	250	7,00
18	CKF180D8	50	1,48	250	7,40
19	CKF190D8	50	1,56	250	7,80
20	CKF200D8	50	1,64	250	8,20
21	CKF210D8	50	1,72	250	8,60
22	CKF220D8	50	1,80	250	9,00
23	CKF230D8	50	1,88	250	9,40



CKF_0D9 right with locking screw flanges female

7 mm / .276" pitch

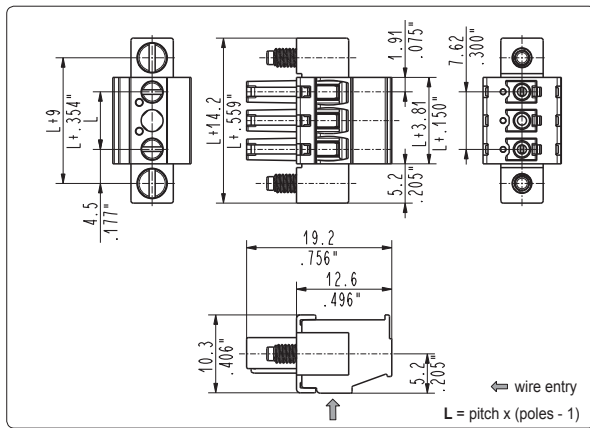
Poles	Code	Pcs/pack.	W [kg]*	Pcs/Ind.**	W [kg]*
02	CKF020D9	200	0,92	1000	4,60
03	CKF030D9	150	0,98	750	4,88
04	CKF040D9	100	0,84	500	4,20
05	CKF050D9	75	0,77	500	5,15
06	CKF060D9	75	0,92	500	6,10
07	CKF070D9	75	1,06	250	3,53
08	CKF080D9	50	0,80	250	4,00
09	CKF090D9	50	0,90	250	4,48
10	CKF100D9	50	0,99	250	4,95
11	CKF110D9	50	1,09	250	5,43
12	CKF120D9	50	1,18	250	5,90



CKF_0DT right with locking screw flanges female

3.81 mm / .150" pitch

Poles	Code	Pcs/pack.	W [kg]*	Pcs/Ind.**	W [kg]*
02	CKF020DT	250	1,00	1250	5,00
03	CKF030DT	200	1,12	1000	5,60
04	CKF040DT	175	1,26	1000	7,20
05	CKF050DT	150	1,32	750	6,60
06	CKF060DT	125	1,30	750	7,80
07	CKF070DT	100	1,20	500	6,00
08	CKF080DT	100	1,36	500	6,80
09	CKF090DT	75	1,14	500	7,60
10	CKF100DT	75	1,26	500	8,40
11	CKF110DT	75	1,38	500	9,20
12	CKF120DT	75	1,50	500	10,00
13	CKF130DT	75	1,62	250	5,40
14	CKF140DT	50	1,16	250	5,80
15	CKF150DT	50	1,24	250	6,20
16	CKF160DT	50	1,32	250	6,60



CKF_0D7 right with locking screw flanges female

7.62 mm / .300" pitch

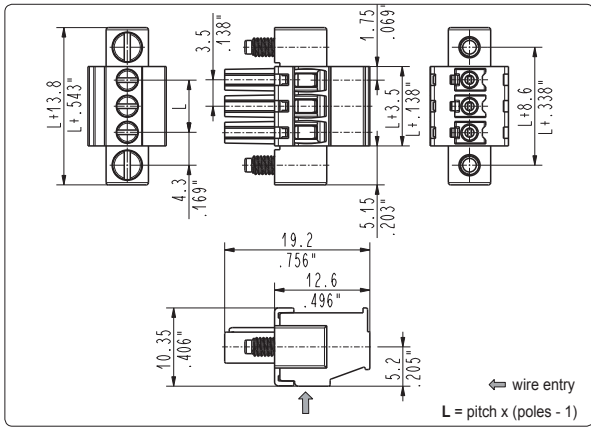
Poles	Code	Pcs/pack.	W [kg]*	Pcs/Ind.**	W [kg]*
02	CKF020D7	200	0,92	1000	4,60
03	CKF030D7	150	0,98	750	4,88
04	CKF040D7	100	0,84	500	4,20
05	CKF050D7	75	0,77	500	5,15
06	CKF060D7	75	0,92	500	6,10
07	CKF070D7	75	1,06	250	3,53
08	CKF080D7	50	0,80	250	4,00

Distributed by:

www.texim-europe.com

*W [kg]: approximate weight per box in kg

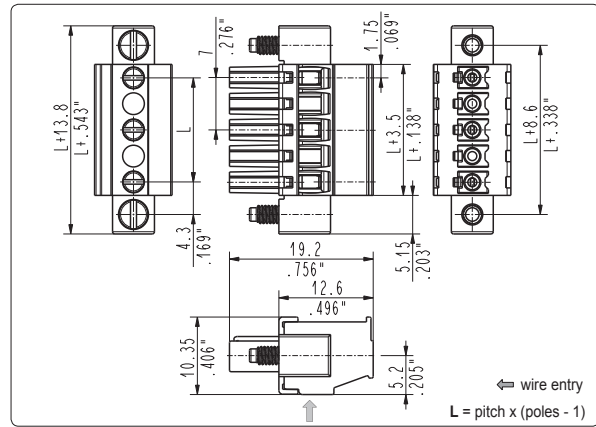
**industrial packaging: add "-00000E" at standard code



CKF_0S8 left with locking screw flanges female

3.5 mm / .138" pitch

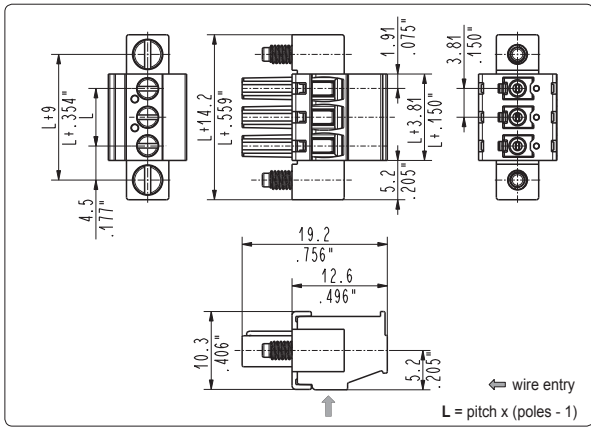
Poles	Code	Pcs/pack.	W [kg]*	Pcs/Ind.**	W [kg]*
02	CKF020S8	250	1,00	1250	5,00
03	CKF030S8	200	1,12	1000	5,60
04	CKF040S8	175	1,26	1000	7,20
05	CKF050S8	150	1,32	750	6,60
06	CKF060S8	125	1,30	750	7,80
07	CKF070S8	100	1,20	500	6,00
08	CKF080S8	100	1,36	500	6,80
09	CKF090S8	75	1,14	500	7,60
10	CKF100S8	75	1,26	500	8,40
11	CKF110S8	75	1,38	500	9,20
12	CKF120S8	75	1,50	500	10,00
13	CKF130S8	75	1,62	250	5,40
14	CKF140S8	50	1,16	250	5,80
15	CKF150S8	50	1,24	250	6,20
16	CKF160S8	50	1,32	250	6,60
17	CKF170S8	50	1,40	250	7,00
18	CKF180S8	50	1,48	250	7,40
19	CKF190S8	50	1,56	250	7,80
20	CKF200S8	50	1,64	250	8,20
21	CKF210S8	50	1,72	250	8,60
22	CKF220S8	50	1,80	250	9,00
23	CKF230S8	50	1,88	250	9,40



CKF_0S9 left with locking screw flanges female

7 mm / .276" pitch

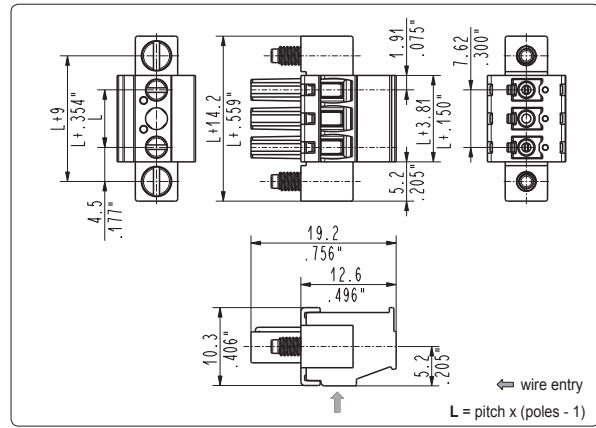
Poles	Code	Pcs/pack.	W [kg]*	Pcs/Ind.**	W [kg]*
02	CKF020S9	200	0,92	1000	4,60
03	CKF030S9	150	0,98	750	4,88
04	CKF040S9	100	0,84	500	4,20
05	CKF050S9	75	0,77	500	5,15
06	CKF060S9	75	0,92	500	6,10
07	CKF070S9	75	1,06	250	3,53
08	CKF080S9	50	0,80	250	4,00
09	CKF090S9	50	0,90	250	4,48
10	CKF100S9	50	0,99	250	4,95
11	CKF110S9	50	1,09	250	5,43
12	CKF120S9	50	1,18	250	5,90



CKF_0ST left with locking screw flanges female

3.81 mm / .150" pitch

Poles	Code	Pcs/pack.	W [kg]*	Pcs/Ind.**	W [kg]*
02	CKF020ST	250	1,00	1250	5,00
03	CKF030ST	200	1,12	1000	5,60
04	CKF040ST	175	1,26	1000	7,20
05	CKF050ST	150	1,32	750	6,60
06	CKF060ST	125	1,30	750	7,80
07	CKF070ST	100	1,20	500	6,00
08	CKF080ST	100	1,36	500	6,80
09	CKF090ST	75	1,14	500	7,60
10	CKF100ST	75	1,26	500	8,40
11	CKF110ST	75	1,38	500	9,20
12	CKF120ST	75	1,50	500	10,00
13	CKF130ST	75	1,62	250	5,40
14	CKF140ST	50	1,16	250	5,80
15	CKF150ST	50	1,24	250	6,20
16	CKF160ST	50	1,32	250	6,60



CKF_0S7 left with locking screw flanges female

7.62 mm / .300" pitch

Poles	Code	Pcs/pack.	W [kg]*	Pcs/Ind.**	W [kg]*
02	CKF020S7	200	0,92	1000	4,60
03	CKF030S7	150	0,98	750	4,88
04	CKF040S7	100	0,84	500	4,20
05	CKF050S7	75	0,77	500	5,15
06	CKF060S7	75	0,92	500	6,10
07	CKF070S7	75	1,06	250	3,53
08	CKF080S7	50	0,80	250	4,00

Distributed by:

www.texim-europe.com

TEXIM EUROPE

Partner in Electronic Components & Supply Chain Solutions



The Netherlands

Elektrostraat 17
NL-7483 PG Haaksbergen
Tel: +31 (0)53 573 33 33
Fax: +31 (0)53 573 33 30
nl@texim-europe.com



Denmark

Nørregade 15
DK-9240 Nibe
Tel: +45 88 20 26 30
Fax: +45 88 20 26 39
nordic@texim-europe.com



Belgium

Gentsesteenweg 1154-C22
Chaussée de Gand 1154-C22
B-1082 Brussel / Bruxelles
Tel: +32 (0)2 462 01 00
Fax: +32 (0)2 462 01 25
belgium@texim-europe.com



United Kingdom

St. Mary's House, Church Lane
Carlton Le Moorland
Lincoln LN5 9HS
Tel: +44 (0)1522 789 555
Fax: +44 (0)845 299 22 26
uk@texim-europe.com



Germany

Justus-von-Liebig-Ring 7-9
D-25451 Quickborn
Tel: +49 (0)4106 627 07-0
Fax: +49 (0)4106 627 07-20
germany@texim-europe.com



Germany

Martin-Kollar-Strasse 9
D-81829 München
Tel: +49 (0)89 436 086-0
Fax: +49 (0)89 436 086-19
germany@texim-europe.com



Austria

Warwitzstrasse 9
A-5020 Salzburg
Tel: +43 (0)662 216026
Fax: +43 (0)662 216026-66
austria@texim-europe.com

Texim Europe B.V.

Elektrostraat 17
NL-7483 PG Haaksbergen
Tel: +31 (0)53 573 33 33
info@texim-europe.com
www.texim-europe.com

