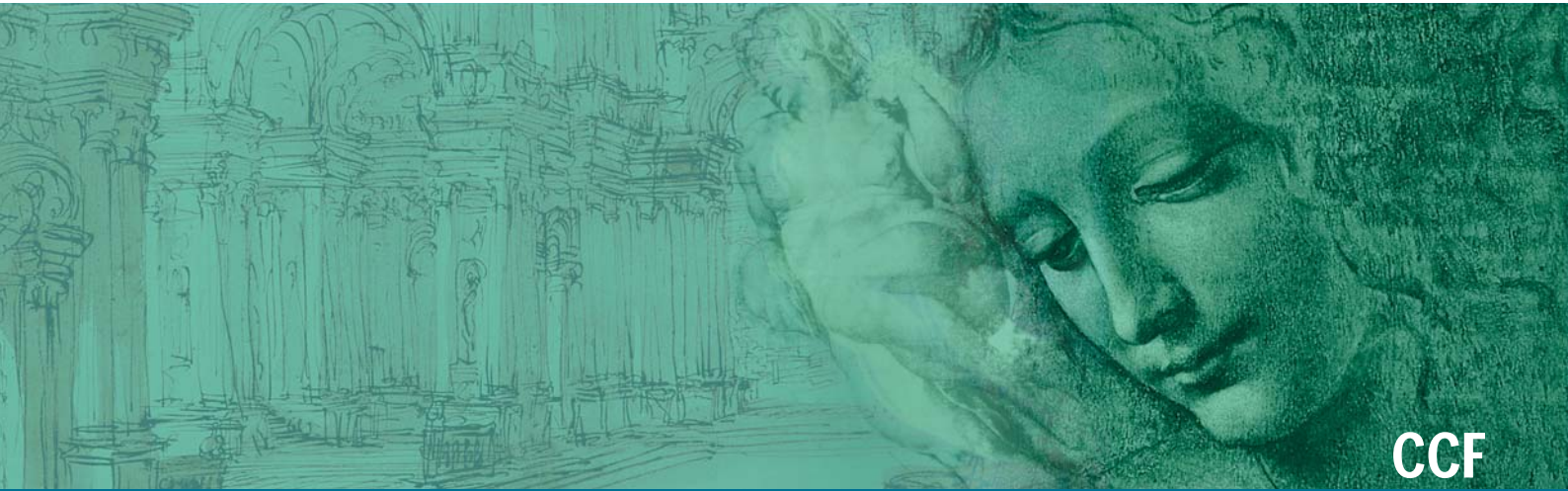




GREEN ELECTRONICS



CCF

Terminal Blocks and Connectors for Printed Circuit Boards



ISO
9001



ISO
14001



BS OHSAS
18001:2007

Distributed by:



www.texim-europe.com



SAURO[®]

ELECTRONIC CONNECTORS

— by the law —

Functional characteristics



Dimensional class:
high



Standard colour:
green



Dimensions:
25.4 x 14.9 mm
(1 x .571 in)



Max approved wire size:
2.5 mm² (IEC EN); 12 AWG (UL)
wire entry size
2.3 x 2.9 mm (.091 x .114 in)



Versions:
side stackable,
locking screw flanges



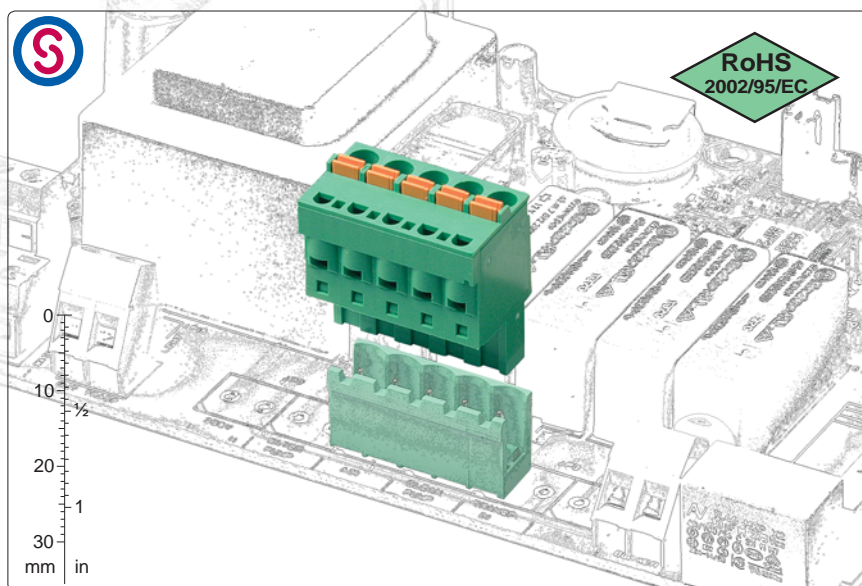
Single mould poles:
from 2 to 18 (side stackable)
from 2 to 10 (locking screw flanges)



Pitches:
metric 5 mm, 10 mm
(.197 in, .394 in)



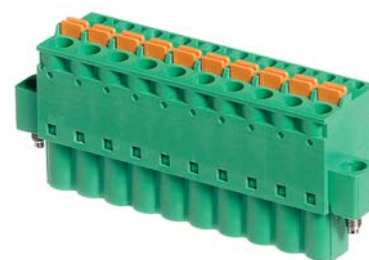
imperial 5.08 mm, 10.16 mm
(.200 in, .400 in)



available accessories:
from 2 to 6 poles
BSC for spring connections
See also "Accessories", page 268



pitch 5/5.08 mm
from 2 to 25 poles
straight version, side stackable



pitch 5/5.08 mm
from 2 to 23 poles
straight version, locking screw flange

Brief description

The **CCF** series of female connectors (Connector, Clip, Female) is the ideal solution if, due to the layout of the PCB, extractable connectors are needed where the entry direction of the wire is parallel to the direction of the tightening command, maintaining a tightening force comparable to the rising clamp technology.

Moreover by using a spring system wiring is quickly done and is unaffected by vibrations. Both hard or flexible wires with ferrules can be used but flexible wires without ferrules can also be used by pressing on the appropriate switch.

The **CCF** connector series of PCBs is characterized by an asymmetric profile, so mistakes are prevented when connections are made with the relative **CIM**, **CPM** or **CRM** male connector soldered to the board or the

CGM screw connection. Further safety when connecting can be obtained by using the **CIF-LC1** and **CIM-SCI** Coding Splines and Coding Clips (see page 20-21) or **COF-SP1** Polarization Pegs (see page 18-19).

It is possible to side-stack or assemble the basic modular connectors in order to obtain any number of poles without losing the pitch. By taking advantage of this particular characteristic a minimum stock of basic connectors can be kept.

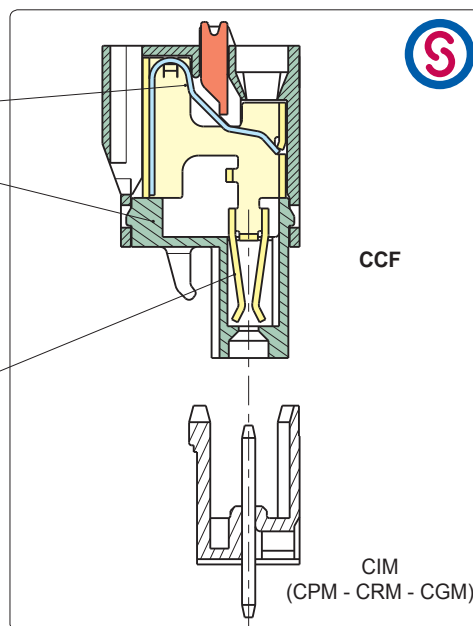
It is simple to manage the product, the warehouse and the assembly with the Kit packages because several versions can be received with only one code, the part-numbers are significantly reduced and the risk of making mistakes is also reduced.

Distributed by:



Characteristics of components

- Steel clamping spring.
- PA 6.6 polyamide housing.
Standard colour: GREEN.
V0 Self-extinguishing according to UL 94.
Chlorinated solvents resistant,
with no phosphor, dioxin or
detrimental to health halogens.
- Lead-free tin-plated copper alloy spring.



Mechanical characteristics

Insertion force per pole	max 3 N (.674 lbf)
Withdrawal force per pole	min 1,5 N (.337 lbf)
Stripping length	10 mm (.39 in)
Operating temperature range	-40 °C ÷ +110 °C (-40 °F ÷ +230 °F)
Climatic category	40/110/21 According to EN 60068-1

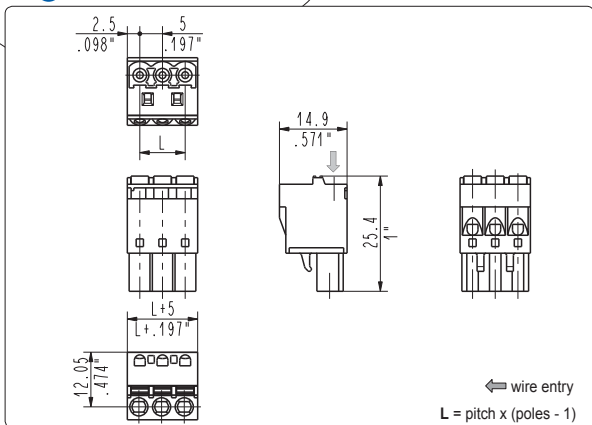
Electric characteristics*

Solid wire section	0.2 ÷ 2.5 mm ² (IEC EN)* 30÷12 AWG (UL)*
Stranded wire section	0.2 ÷ 2.5 mm ² (IEC EN)* 30÷12 AWG (UL)*
Rated voltage for 5 mm (.197 in) and 5.08 mm (.200 in) pitch	300 V (UL)*
Rated voltage for 10 mm (.394 in) and 10.16 mm (.400 in) pitch	750 V (IEC EN)*
Rated current	12 A (UL)*
Contact resistance	<15 mΩ
Insulation resistance	>10 ⁹ Ω (500V DC)

*All the a.m. data refer to the highest values amongst the certificated ones.
V voltage, I current values and tightening torque are related to the norms to be applied to the product and to its use.

Approvals

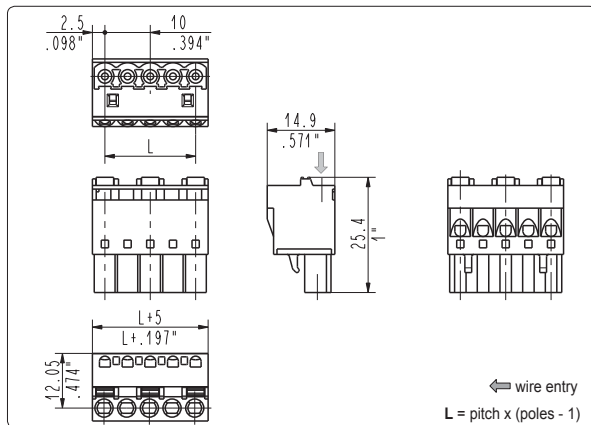
IEC-EN	IEC:	250 V - T 110 - 12 A - 2.5 mm ² solid and stranded for 5 mm (.197 in) and 5.08 mm (.200 in) pitch
	EN 61984	750 V - T 110 - 12 A - 2.5 mm ² solid and stranded for 10 mm (.394 in) and 10.16 mm (.400 in) pitch
UL	UL:	300 V - 12 A - 30÷12 AWG stranded for 5 mm (.197 in), 5.08 mm (.200 in) pitch
	File E167473	600 V - 12 A - 30÷12 AWG stranded for 10 mm (.394 in) and 10.16 mm (.400 in) pitch
		Application values for end-use equipment have to be in accordance to UL norms and applicable to it.



CCF_001 side stackable, female

5 mm / .197" pitch

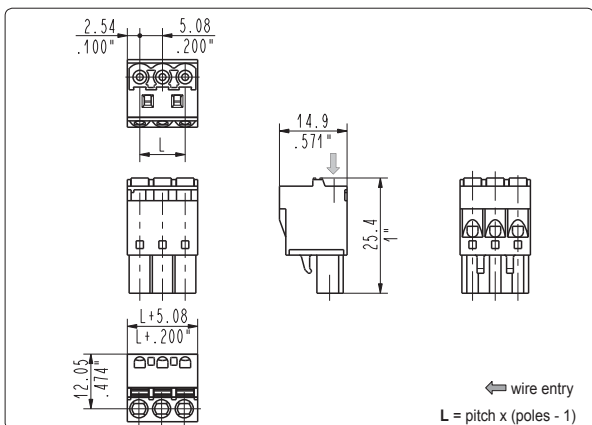
Poles	Code	Pcs/pack.	W [kg]*	Pcs/Ind.**	W [kg]*
02	CCF02001	350	1,33	1500	5,70
03	CCF03001	300	1,71	1000	5,70
04	CCF04001	200	1,52	750	5,70
05	CCF05001	200	1,90	750	7,13
06	CCF06001	150	1,71	500	5,70
07	CCF07001	125	1,66	500	6,65
08	CCF08001	100	1,52	500	7,60
09	CCF09001	75	1,28	500	8,55
10	CCF10001	50	0,95	250	4,75
11	CCF11001	50	1,05	250	5,23
12	CCF12001	50	1,14	250	5,70
13	CCF13001	50	1,24	250	6,18
14	CCF14001	50	1,33	250	6,65
15	CCF15001	50	1,43	250	7,13
16	CCF16001	50	1,52	250	7,60
17	CCF17001	50	1,62	250	8,08
18	CCF18001	50	1,71	250	8,55



CCF_002 side stackable, female

10 mm / .394" pitch

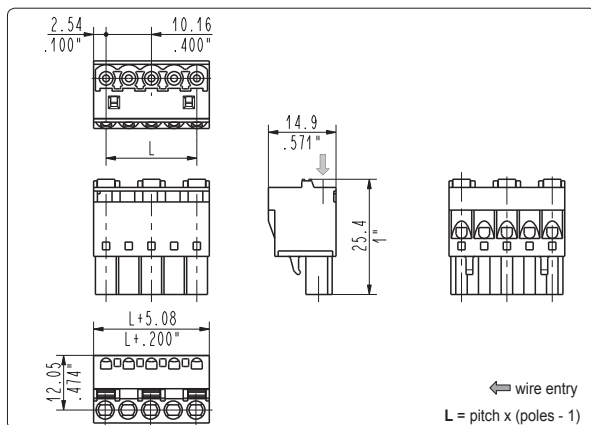
Poles	Code	Pcs/pack.	W [kg]*	Pcs/Ind.**	W [kg]*
02	CCF02002	300	1,31	1000	4,36
03	CCF03002	200	1,31	750	4,91
04	CCF04002	125	1,09	500	4,36
05	CCF05002	75	0,82	500	5,45
06	CCF06002	50	0,65	250	3,27
07	CCF07002	50	0,76	250	3,82
08	CCF08002	50	0,87	250	4,36
09	CCF09002	50	0,98	250	4,91



CCF_005 side stackable, female

5.08 mm / .200" pitch

Poles	Code	Pcs/pack.	W [kg]*	Pcs/Ind.**	W [kg]*
02	CCF02005	350	1,33	1500	5,7
03	CCF03005	300	1,71	1000	5,7
04	CCF04005	200	1,52	750	5,7
05	CCF05005	200	1,90	750	7,13
06	CCF06005	150	1,71	500	5,7
07	CCF07005	125	1,66	500	6,65
08	CCF08005	100	1,52	500	7,6
09	CCF09005	75	1,28	500	8,55
10	CCF10005	50	0,95	250	4,75
11	CCF11005	50	1,05	250	5,23
12	CCF12005	50	1,14	250	5,7
13	CCF13005	50	1,24	250	6,18
14	CCF14005	50	1,33	250	6,65
15	CCF15005	50	1,43	250	7,13
16	CCF16005	50	1,52	250	7,6
17	CCF17005	50	1,62	250	8,08
18	CCF18005	50	1,71	250	8,55



CCF_006 side stackable, female

10.16 mm / .400" pitch

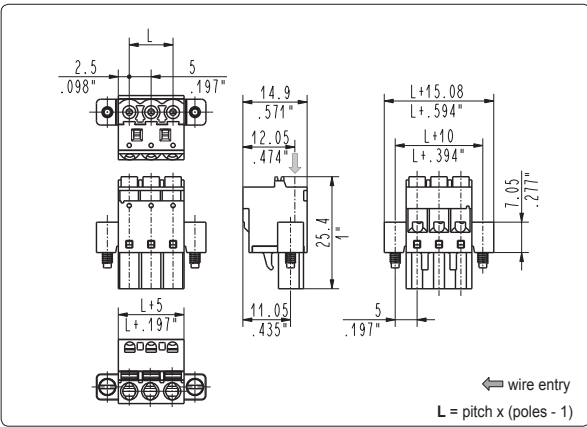
Poles	Code	Pcs/pack.	W [kg]*	Pcs/Ind.**	W [kg]*
02	CCF02006	300	1,31	1000	4,36
03	CCF03006	200	1,31	750	4,91
04	CCF04006	125	1,09	500	4,36
05	CCF05006	75	0,82	500	5,45
06	CCF06006	50	0,65	250	3,27
07	CCF07006	50	0,76	250	3,82
08	CCF08006	50	0,87	250	4,36
09	CCF09006	50	0,98	250	4,91

Distributed by:



*W [kg]: approximate weight per box in kg

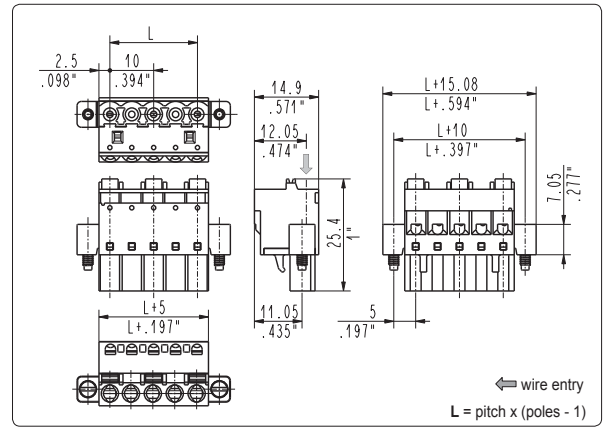
**Industrial packaging: add "-00000E" at standard code



CCF_0V1 locking screw flanges, female

5 mm / .197" pitch

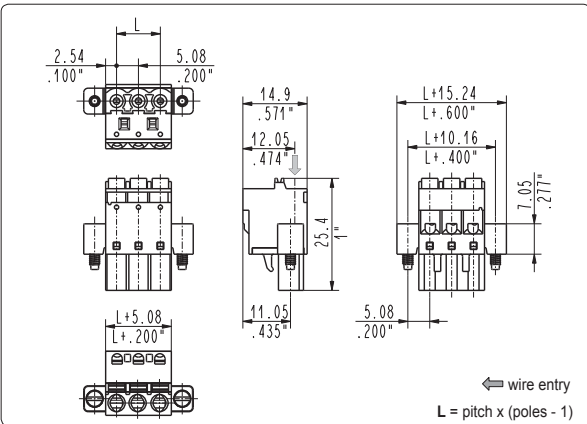
Poles	Code	Pcs/pack.	W [kg]*	Pcs/Ind.**	W [kg]*
02	CCF020V1	350	1,61	1500	6,90
03	CCF030V1	300	1,95	1000	6,50
04	CCF040V1	200	1,68	750	6,30
05	CCF050V1	200	2,06	750	7,73
06	CCF060V1	150	1,83	500	6,10
07	CCF070V1	125	1,76	500	7,05
08	CCF080V1	100	1,60	500	8,00



CCF_0V2 locking screw flanges, female

10 mm / .394" pitch

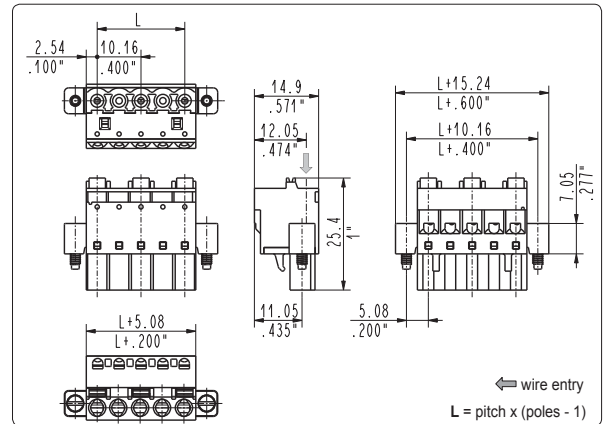
Poles	Code	Pcs/pack.	W [kg]*	Pcs/Ind.**	W [kg]*
02	CCF020V2	300	1,43	1000	4,76
03	CCF030V2	200	1,43	750	5,36
04	CCF040V2	125	1,19	500	4,76



CCF_0V5 locking screw flanges, female

5.08 mm / .200" pitch

Poles	Code	Pcs/pack.	W [kg]*	Pcs/Ind.**	W [kg]*
02	CCF020V5	350	1,61	1500	6,90
03	CCF030V5	300	1,95	1000	6,50
04	CCF040V5	200	1,68	750	6,30
05	CCF050V5	200	2,06	750	7,73
06	CCF060V5	150	1,83	500	6,10
07	CCF070V5	125	1,76	500	7,05
08	CCF080V5	100	1,60	500	8,00
09	CCF090V5	75	1,34	500	8,95
10	CCF100V5	50	0,99	250	4,95
11	CCF110V5	50	1,09	250	5,43
12	CCF120V5	50	1,18	250	5,90
13	CCF130V5	50	1,28	250	6,38
14	CCF140V5	50	1,37	250	6,85
15	CCF150V5	50	1,47	250	7,33
16	CCF160V5	50	1,56	250	7,80
17	CCF170V5	50	1,66	250	8,28
18	CCF180V5	50	1,75	250	8,75



CCF_0V6 locking screw flanges, female

10.16 mm / .400" pitch

Poles	Code	Pcs/pack.	W [kg]*	Pcs/Ind.**	W [kg]*
02	CCF020V6	300	1,81	1000	5,16
03	CCF030V6	200	2,20	750	5,51
04	CCF040V6	125	1,90	500	4,76
05	CCF050V6	75	2,34	500	5,85
06	CCF060V6	50	2,08	250	3,47
07	CCF070V6	50	2,01	250	4,02
08	CCF080V6	50	1,82	250	4,56
09	CCF090V6	50	1,53	250	5,11

Distributed by:

www.texim-europe.com

TEXIM EUROPE

Partner in Electronic Components & Supply Chain Solutions



The Netherlands

Elektrostraat 17
NL-7483 PG Haaksbergen
Tel: +31 (0)53 573 33 33
Fax: +31 (0)53 573 33 30
nl@texim-europe.com



Denmark

Nørregade 15
DK-9240 Nibe
Tel: +45 88 20 26 30
Fax: +45 88 20 26 39
nordic@texim-europe.com



Belgium

Gentsesteenweg 1154-C22
Chaussée de Gand 1154-C22
B-1082 Brussel / Bruxelles
Tel: +32 (0)2 462 01 00
Fax: +32 (0)2 462 01 25
belgium@texim-europe.com



United Kingdom

St. Mary's House, Church Lane
Carlton Le Moorland
Lincoln LN5 9HS
Tel: +44 (0)1522 789 555
Fax: +44 (0)845 299 22 26
uk@texim-europe.com



Germany

Justus-von-Liebig-Ring 7-9
D-25451 Quickborn
Tel: +49 (0)4106 627 07-0
Fax: +49 (0)4106 627 07-20
germany@texim-europe.com



Germany

Martin-Kollar-Strasse 9
D-81829 München
Tel: +49 (0)89 436 086-0
Fax: +49 (0)89 436 086-19
germany@texim-europe.com



Austria

Warwitzstrasse 9
A-5020 Salzburg
Tel: +43 (0)662 216026
Fax: +43 (0)662 216026-66
austria@texim-europe.com

Texim Europe B.V.

Elektrostraat 17
NL-7483 PG Haaksbergen
Tel: +31 (0)53 573 33 33
info@texim-europe.com
www.texim-europe.com

